

AVANT[®] 528

Varaosakirja
Parts Manual
Dellista
Ersatzteilliste



Serial numbers: XXXXX1744 -> XXXXX2332
Cabin DLX

Table Of Contents

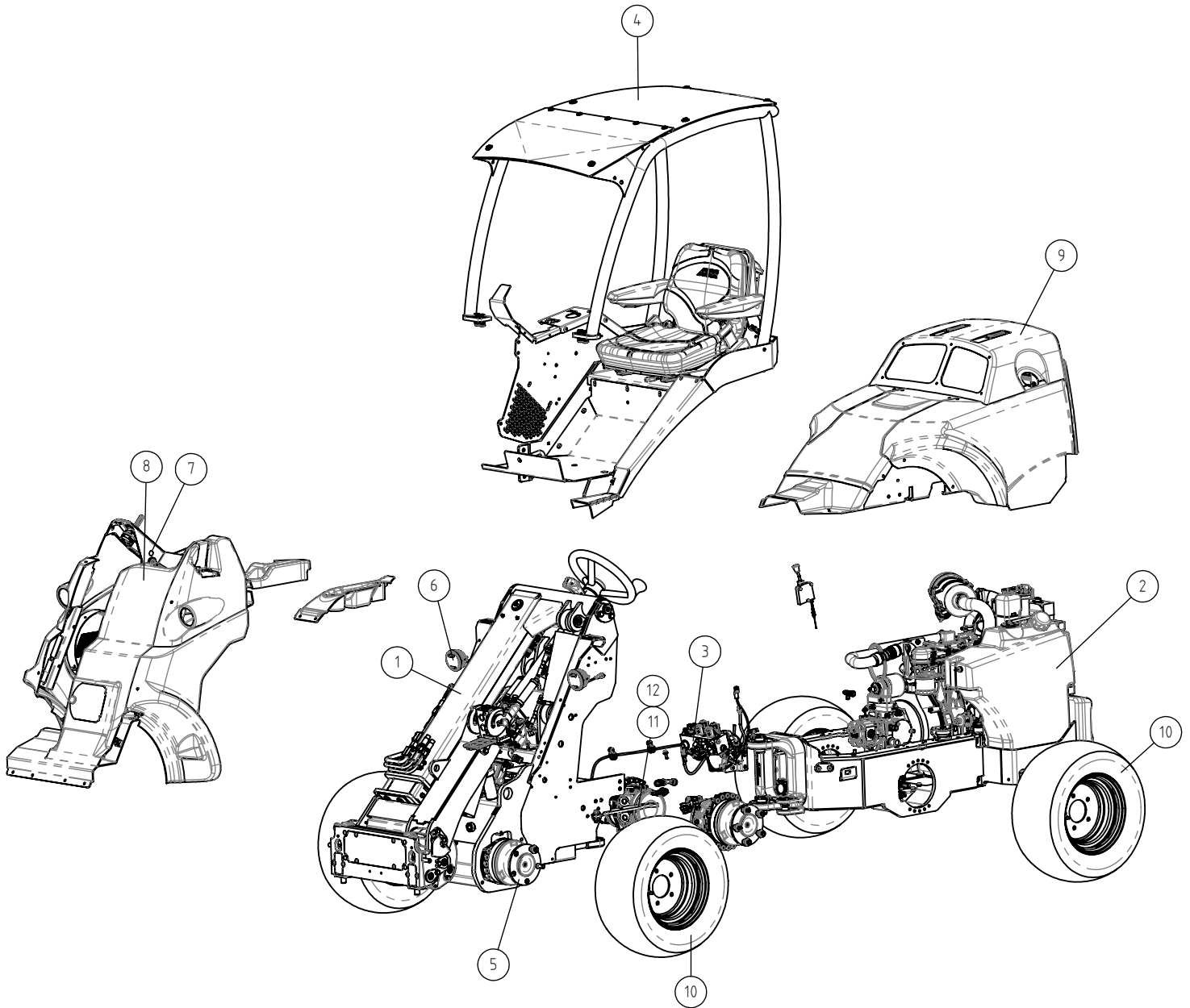
A424277	AVANT 528 OPTIDRIVE		4
A424160	FRONT FRAME, 500 OPTIDRIVE, ASSEMBLY		6
A21552	TELESCOPIC BOOM, COMPLETE ASSEMBLY		8
A436620	INNER BOOM, ASSEMBLY		10
A436687	LINKAGE PIECE "BOOMERANG" CAST STEEL		12
A436576	ATTACHMENT COUPLING PLATE CAST STEEL		14
A436614	LOCKING PIN ASSEMBLY ATTACHM COUPL PLATE		16
65252	MULTI CONNECTOR, ON LOADER		18
A48998	STEERING COLUMN		20
A449399	HYDR. HOSES ORBITROL		22
A49058	DRIVE PEDAL, COMPLETE ASSEMBLY		24
A422190	HYDR. HOSES DRIVE PEDAL 700 SERIES		26
A413893	HYDRAULIC OIL COOLER, COMPLETE ASSEMBLY		28
A34281	CONTROL VALVE COMPLETE 420 HDS11/4		30
A424132	BACK FRAME 528/530 OPTIDRIVE ASSEMBLY		32
A444829	REAR CHASSIS ASSEMBLY 528-640		34
A37449	ARTICULATION JOINT ASSEMBL REAR FRAME		36
A36909	REAR WEIGHT (BUMPER) 160 KG, ASSEMBLY		38
A21755	DIESEL ENGINE ASSEMBLY D1105 528/530		40
64964	DIESEL ENGINE D1105 WITHOUT RADIATOR		42
A423594	RADIATOR, ASSEMBLY D1105/V1505		44
A37577	HYDRAULIC PUMPS ASSEMBLY		46
A413932	FUEL TANK, COMPLETE ASSEMBLY		48
A427551	HYDRAULIC MANIFOLD WITH HOSES 528/530		50
A451431	HYDR. HOSES DRIVE 500-600 SERIES 1-SPEED	*--- DKOS fittings from 2022 week 26	52
A37575	HYDR. HOSES DRIVE CIRCUIT WITHOUT ANTI S	*A431829 E03 fittings before 2022 week 26	54
A421616	HYDRAULIC MANIFOLD DRIVE RELEASE 1-SPEED	*E03 fittings before 2022 week 26	56
A454024	HYDRAULIC MANIFOLD ANTI SLIP VALVE	*DKOS fittings from 2022 week 26	58
A454023	HYDRAULIC MANIFOLD 1-SPEED DRIVE RELEASE	*DKOS fittings from 2022 week 26	60
A21713	ROPS/FOPS FRAME COMPLETE		62
A440098	INSTRUMENT PANEL WITH DECAL 500 SERIES		64
A48906	ROPS FRAME WITH FOPS CANOPY, 500 SERIES		66
A445134	HYDRAULIC MOTOR ASSEMBLY 364 CCM POCLAIN		68
A428574	ELECTRICS ASSEMBLY 528/530/600 OPTIDRI		70
A423593	DASHBOARD ASSEMBLY		72
A35734	COVER PLATES, FRONT, KIT, 500/600	*ABS, ROPS	74
A35953	COVER PLATES HD, KIT, FRONT FRAME 500-600	*PC/HD, optional extra	76
A35958	MOUNTING BRACKETS, COVER PLATES, REAR		78
A35304	COVER PLATES, REAR, NO MUDGUADRS	*ABS	80
A35237	COVER PLATES, REAR, WITH MUDGUARDS	*ABS, mudguards, optional extra	82

11.8.2023

A35659	COVER PLATES HD, REAR, 528-635 NO MUDGUA	*PC/HD, optional extra	84
A35660	COVER PLATES HD, REAR, 528-635 W MUDGUAR	*PC/HD, mudguards, optional extra	86
A428313	DECAL KIT 400-800 SERIES		88
A434209	DECAL KIT, AVANT 528 ROPS OPTIDRIVE		90
A35553	BOOM SELF LEVELLING, 500 & E SERIES		92
A47773	BOOM FLOATING, MACHINE WITHOUT SELF		94
A34015	BOOM FLOATING, WHEN SELF LEVELLING	*Boom floating when self levelling	96
A448287	VALVE & HOSES, BYPASS SELF LEVELLING		98
A433694	VALVE ASSEMBLY BOOM FLOAT/SELF LEVELLING		100
A434045	CONTROL VALVE 6-FUNCT JOYSTICK 400/500	*From XXXXX1916	102
A35754	JOYSTICK 6 FUNCTIONS, KIT, 500 SERIES	*Before XXXXX1915	104
A430922	CONTROL VALVE 6-FUNCT JOYSTICK 400/500		106
A36878	ATTACHMENT CONTROL SWITCH PACK		108
A35881	REAR AUX. HYDR. OUTLET, DOUBLE ACTING		110
A35884	EXTRA AUX. HYDR. OUTLET, FRONT, 500 SERI		112
A424303	ANTI SLIP VALVE OPTIDRIVE 500 / 600	*E03 fittings before 2022 week 26	114
A421617	HYDRAULIC MANIFOLD, ANTI SLIP VALVE		116
A33916	WORK LIGHT KIT, 3 LED LIGHTS 700 LUMEN		118
A33912	ROAD TRAFFIC KIT 500/600 SERIES ROPS		120
A412565	REAR WALL FOR ROAD TRAFFIC LIGHTS		122
A49119	ROPS FRAME WITH FOPS CANOPY, 600/700 SER		124
A443905	CAB L, 500-700 SERIES		126
A443979	WINDSCREEN WIPER ASSEMBLY CAB L 523-760I		128
A425277	ENGINE BLOCK HEATER, KIT, 423/523		130
A21590	CAB DLX 500/600 SERIES		132
A21708	CAB DLX, ASSEMBLY		134
A412488	TANK, COMPLETE, WINDSCREEN WASHER		136
A35735	DOOR, COMPLETE, CAB LX A21517		138
A434225	DOOR, LOWER PART CAB LX/DLX		140
A21706	HEATER UNIT, COMPLETE, CAB DLX		142
A21705	UPHOLSTERY, COMPLETE, CAB DLX		144
A423600	DASHBOARD CAB DLX ASSEMBLY	*From XXXXX1927	146
A21707	WINDSCREEN ASSEMBLY, CAB DLX		148
A421890	HEADLIGHTS, ROAD TRAFFIC KIT CAB DLX		150
A35608	COVER PLATES, KIT, 500 SERIES	*ABS, cabin	152
A35668	COVER PLATES HD, KIT, FRONT FRAME 600DLX	*PC/HD, cabin	154
A21517	CAB LX		156
A423029	FRONT LIGHTS ASSEMBLY CAB LX		158
A21738	UPHOLSTERY, COMPLETE, CAB LX		160
A434212	DECAL KIT, AVANT 528 LX/DLX OPTIDRIVE		162

11.8.2023

A424277 AVANT 528 OPTIDRIVE

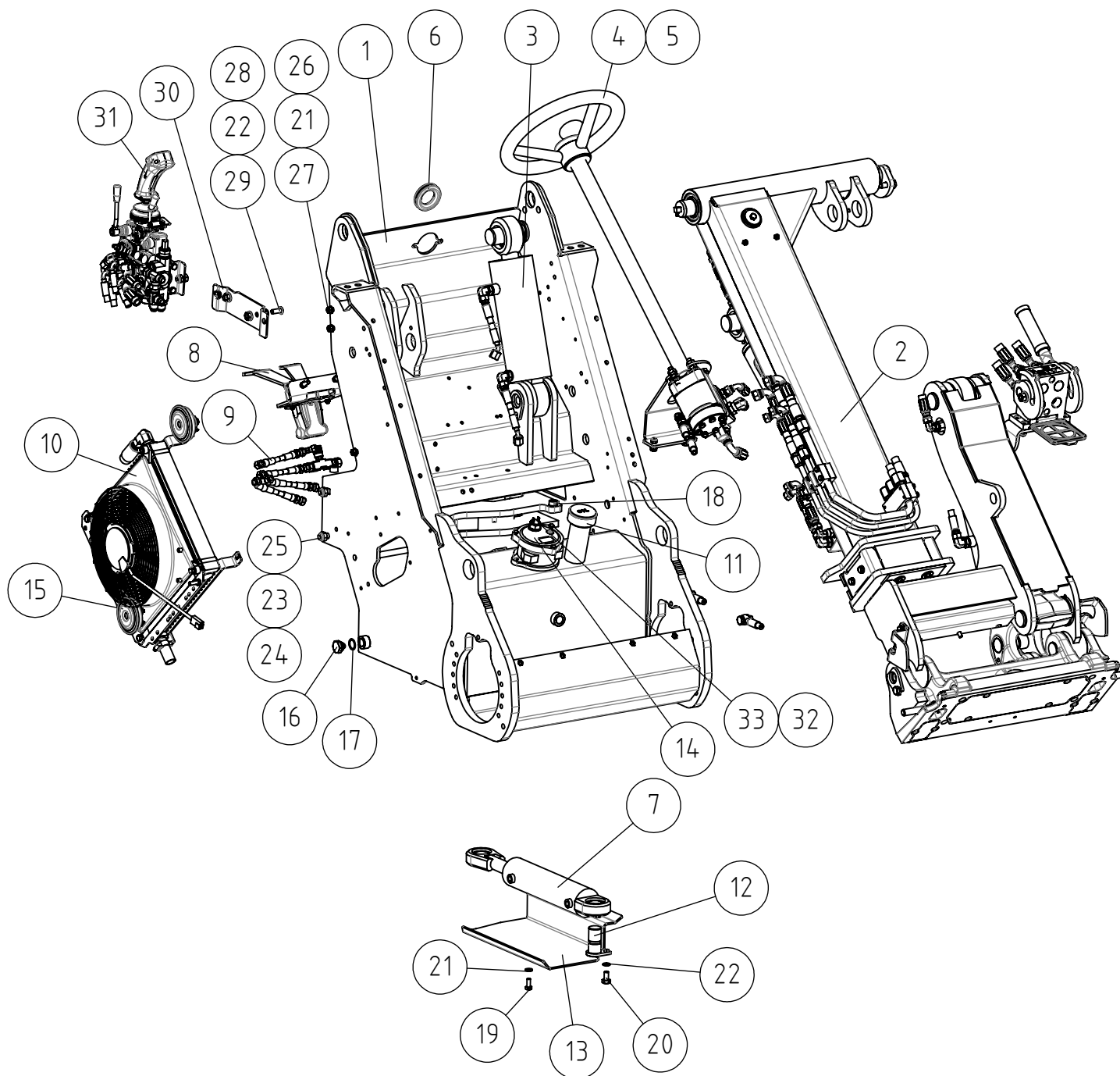


11.8.2023

A424277 AVANT 528 OPTIDRIVE

REF	PART NO	QTY	DESCRIPTION	NOTES	PAGE
1	A424160	1	FRONT FRAME, 500 OPTIDRIVE, ASSEMBLY		6
2	A424132	1	BACK FRAME 528/530 OPTIDRIVE ASSEMBLY		32
3*	A451431	1	HYDR. HOSES DRIVE 500-600 SERIES 1-SPEED	--- DKOS fittings from 2022 week 26	52
3**	A37575	1	HYDR. HOSES DRIVE CIRCUIT WITHOUT ANTI S	A431829 E03 fittings before 2022 week 26	54
4	A21713	1	ROPS/FOPS FRAME COMPLETE		62
5	A445134	1	HYDRAULIC MOTOR ASSEMBLY 364 CCM POCLAIN		68
6	A428574	1	ELECTRICS ASSEMBLY 528/530/600 OPTIDRI		70
7	A423593	1	DASHBOARD ASSEMBLY		72
8***	A35734	1	COVER PLATES, FRONT, KIT, 500/600	ABS, ROPS	74
8****	A35953	1	COVER PLATES HD, KIT,FRONT FRAME 500-600	PC/HD, optional extra	76
9	A35958	1	MOUNTING BRACKETS, COVER PLATES, REAR		78
10	65996	4	WHEEL 23*10.50-12 GRASS, 5-HOLE RIM		-
10	65997	4	WHEEL 23*10.50-12 TRACTOR 5- HOLE RIM		-
10	65414	4	WHEEL 27*8.50-15 10 HOLE RIM TRACTORPROF		-
10	65995	4	WHEEL 23*8.50-12 TRACTOR 5- HOLE RIM		-
10	65994	4	WHEEL 23*8.50-12 GRASS, 5-HOLE RIM		-
10	65212	4	WHEEL 26*12.00-12 GRASS PROFILE 10-HOLE		-
10	65739	4	WHEEL 26*12.00-12 TRACTOR, 10 HOLE RIM		-
10	65224	4	WHEEL (TYRE+RIM) 10 HOLE 320/60-12 TR HD		-
11	A410307	1	FRAME LOCK, 700/800 SERIES		-
12	71727	1	LINCH PIN 9,5 MM		-
13	A428313	1	DECAL KIT 400-800 SERIES		88
14	A434209	1	DECAL KIT, AVANT 528 ROPS OPTIDRIVE		90

11.8.2023

A424160 FRONT FRAME, 500 OPTIDRIVE, ASSEMBLY

Eturunko (1) oli

A21550 ennen srj.nro.
XXXXX1849A432974 ennen srj.nro.
XXXXX2219

Front frame (1) was

A21550 before serial no.
XXXXX1849A432974 before serial no.
XXXXX2219

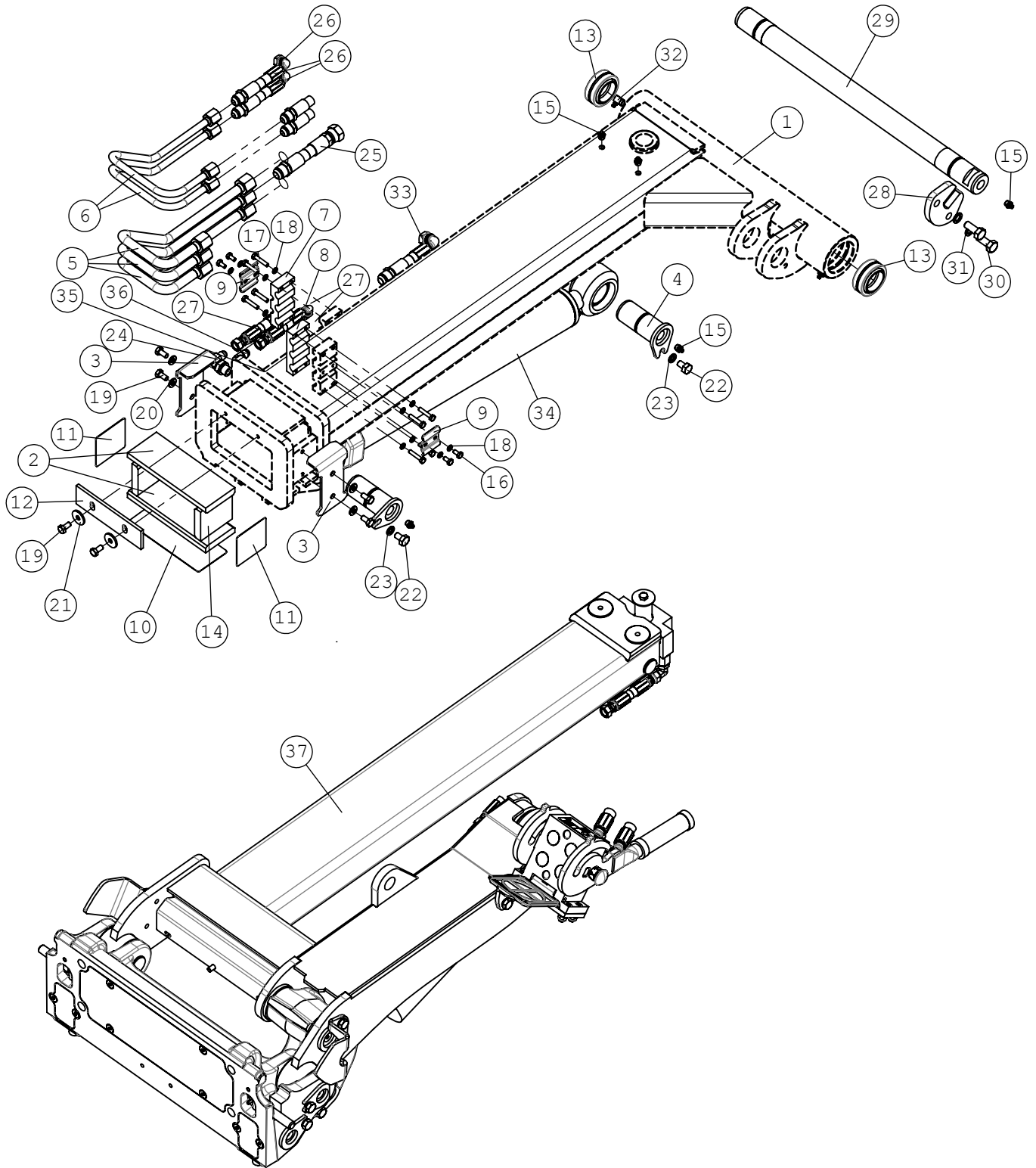
11.8.2023

A424160 FRONT FRAME, 500 OPTIDRIVE, ASSEMBLY

REF	PART NO	QTY	DESCRIPTION	NOTES	PAGE
1	A450315	1	FRONT FRAME 500-600 SERIES		-
2	A21552	1	TELESCOPIC BOOM, COMPLETE ASSEMBLY		8
2.1	A430743	1	SLIDE PAD KIT TELESCOPIC BOOM A21226,		-
3	A35553	1	BOOM SELF LEVELLING, 500 & E SERIES		92
4	A48998	1	STEERING COLUMN		20
5	A449399	1	HYDR. HOSES ORBITROL		22
6	A428827	1	RUBBER BUSHING STEERING COLUMN		-
7	A410813	1	HYDR. CYLINDER F60/F30-172 STEERING		-
7.1	65567	1	SEAL KIT, CYLINDER F60/F30		-
7.2	64273	2	ARTICUL. BEARING GE30ESF47/30-22(18)		-
8	A49058	1	DRIVE PEDAL, COMPLETE ASSEMBLY		24
9	A422190	1	HYDR. HOSES DRIVE PEDAL 700 SERIES		26
10	A413893	1	HYDRAULIC OIL COOLER, COMPLETE ASSEMBLY		28
11	A48010	1	DIPSTICK L=230 HYDR. OIL R1 1/4"		-
12	A47655	1	PIVOT PIN F30-60		-
13	A410452	1	BOTTOM PLATE		-
14	64176	1	HYDRAULIC OIL FILTER, RETURN, OMTF 75-20		-
14.1	A427821	1	SEAL KIT HYDRAULIC RETURN OIL FILTER		-
15	64157	1	SIGNAL HORN COMPLETE		-
16	64352	1	HEXAGONAL DRAIN PLUG, MAGNETIC R 1/2		-
17	75117	1	SEAL RING F26/F21*1,5		-
18	A413262	2	BUSHING F19/F10, FLOOR RAISING, 700 SERI		-
19	72130	4	HEXAGONAL SCREW M8*20		-
20	73040	1	HEXAGONAL SCREW M10*20 DIN 933 ZN		-
21	63944	10	WASHER, PAIR, NORD-LOCK M8		-
22	74531	3	SPACER NORDLOCK M10, PAIR		-
23	72324	2	HEXAGONAL NUT M 12 NYLOC DIN 985		-
24	74532	2	WASHER NORDLOCK NL12		-
25	73042	2	HEX. SCREW M12*35 DIN 933 ZN		-
26	72132	3	HEXAGONAL SCREW M 8*25 DIN 933 ZN		-
27	72319	3	HEXAGONAL NUT M8 DIN 934		-
28	74783	2	HEXAGONAL NUT M10 WITH FLANGE		-
29	74762	2	BUTTON HEAD SOCKET CAP SCREW M10*25 10.9		-
30	A433448	1	MOUNTING PLATE CONTROL VALVE A430922		-
31	A34281	1	CONTROL VALVE COMPLETE 420 HDS11/4		30
32	73047	1	USIT SEAL RING R/12"		-
33	64096	1	TEMPERATURE SWITCH 60°C HYDRAULIC OIL		-

11.8.2023

A21552 TELESCOPIC BOOM, COMPLETE ASSEMBLY



11.8.2023

A21552 TELESCOPIC BOOM, COMPLETE ASSEMBLY

REF	PART NO	QTY	DESCRIPTION	NOTES	PAGE
1	A33604	1	OUTER BOOM		-
2	A48339	2	SLIDE PAD 15*72*194		-
3	A48341	2	MOUNTING PLATE, SLIDE PAD		-
4	A47041	2	PIVON PIN F40-90		-
5	A47559	3	HYDRAULIC PIPE F16		-
6	A47560	2	HYDRAULIC PIPE F12		-
7	A47562	1	BRACKET, HYDR.PIPE F16/F12		-
8	A47561	1	BRACKET, HYDR. PIPE F16		-
9	A47563	2	BRACKET, HYDR.PIPE F12		-
10	A48014	2	ADJUSTMENT PLATE 1 MM, LONG		-
11	A48013	2	ADJUSTMENT PLATE 1 MM, SHORT		-
12	A48367	1	SCRAPER		-
13	64911	2	ARTICUL. BEARING GE40ES F62/40-28(22)		-
14	A48340	2	SLIDE PAD 15*72*78		-
15	72798	6	GREASE NIPPLE R 1/8" STRAIGHT		-
16	72116	4	HEXAGONAL SCREW M 6*12 DIN 933 ZN		-
17	73199	8	HEXAGONAL SCREW M6*30 DIN 933		-
18	74530	12	WASHER NORDLOCK NL6		-
19	73039	6	HEXAGONAL SCREW M 8*16 DIN 933 ZN		-
20	63944	4	WASHER, PAIR, NORD-LOCK M8		-
21	71685	2	WASHER M8 R9 DIN 440 ZN		-
22	72147	2	HEXAGONAL SCREW M 10*16 DIN 933		-
23	74531	2	SPACER NORDLOCK M10, PAIR		-
24	64044	1	ELBOW FITTING 90° C40XS10-3/8 /8		-
25	A47681	1	HYDR. HOSE L=1020 1LW-08		-
26	A47638	2	HYDR. HOSE L=1610 2LW-06		-
27	A47635	2	HYDR. HOSE L=1720 2LW-06		-
28	A49723	1	LOCKING PLATE		-
29	A49725	1	PIVOT PIN F40-564		-
30	72167	2	HEXAGONAL SCREW M12*30 DIN 933		-
31	74532	2	WASHER NORDLOCK NL12		-
32	74082	1	GREASE NIPPLE R1/8" 90 DEGREE		-
33	A414729	2	HYDR. HOSE L=1700		-
34	A420809	1	HYDRAULIC CYLINDER F63/F35-450		-
34.1	65003	1	SEAL KIT, 63/35 CYLINDER		-
35	64041	1	BASIC FITTING F40XS10-3/8 /8		-
36	64043	1	ELBOW FITTING 90° C6XS10		-
37	A436620	1	INNER BOOM, ASSEMBLY		10
-	A430743	1	SLIDE PAD KIT TELESCOPIC BOOM A21226,		-

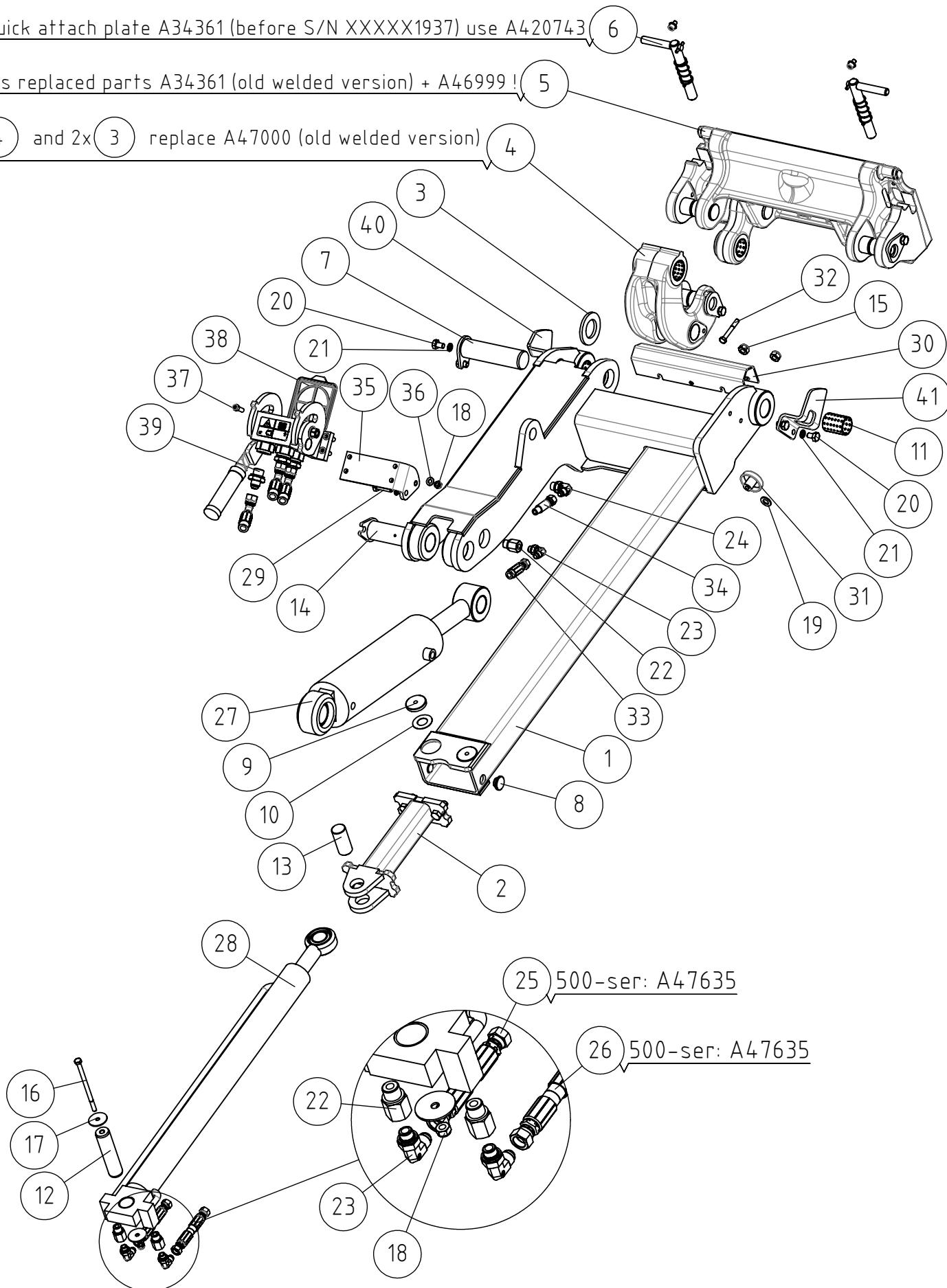
11.8.2023

A436620 INNER BOOM, ASSEMBLY

With welded quick attach plate A34361 (before S/N XXXXX1937) use A420743

This has replaced parts A34361 (old welded version) + A46999!

Parts 4 and 2x 3 replace A47000 (old welded version)



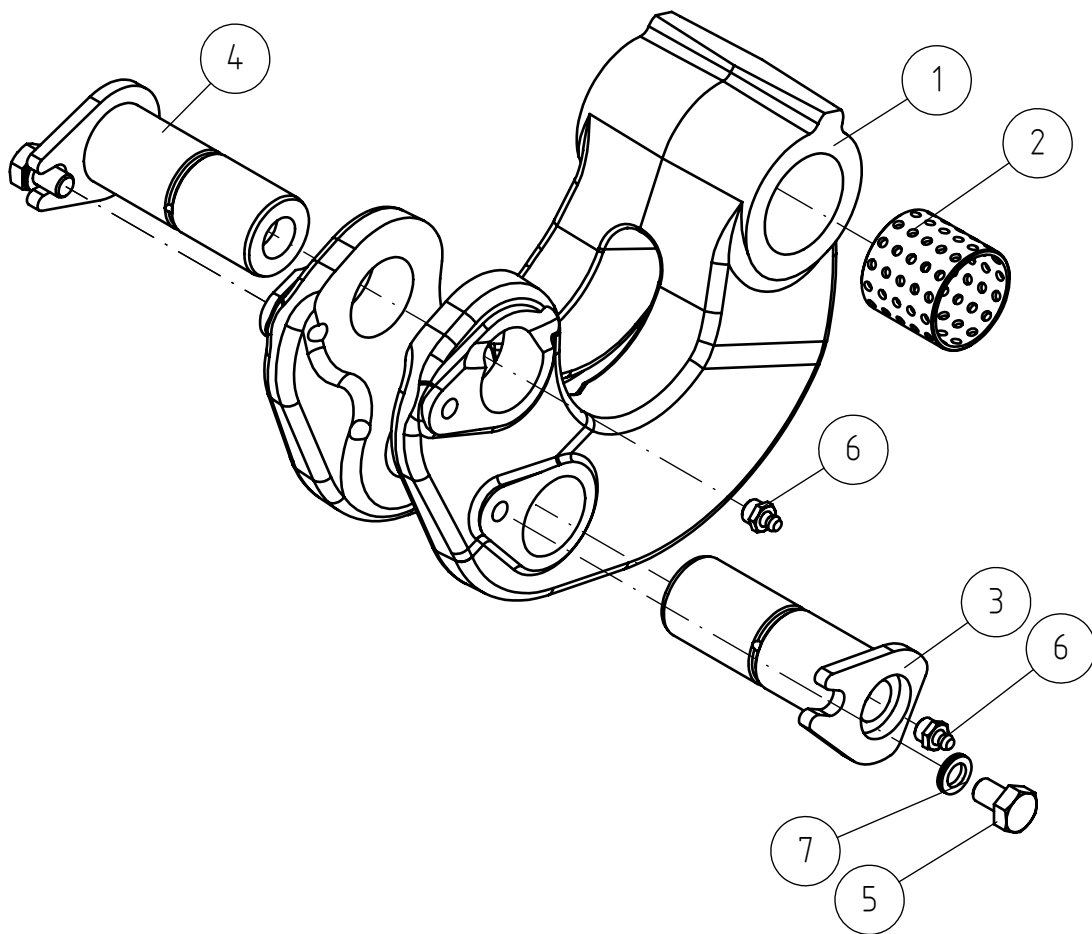
11.8.2023

A436620 INNER BOOM, ASSEMBLY

REF	PART NO	QTY	DESCRIPTION	NOTES	PAGE
1	A33605	1	INNER BOOM		-
2	A47002	1	LINKAGE ROD, SELF LEVELING		-
3	A411429	2	SPACER S=6		-
4	A436687	1	LINKAGE PIECE "BOOMERANG" CAST STEEL		12
5	A436576	1	ATTACHMENT COUPLING PLATE CAST STEEL		14
6	A436614	1	LOCKING PIN ASSEMBLY ATTACHM COUPL PLATE		16
7	A47042	2	PIVOT PIN F40-147		-
8	A48343	2	ROLLER, BOOM		-
9	A47922	2	ROLLER, BOOM		-
10	A47941	2	SLIDE PLATE		-
11	64913	2	SLIDE BEARING BRM-80 F39/F35-50		-
12	A48489	1	PIVOT PIN F30		-
13	A47692	1	PIVOT PIN F30-66		-
14	72798	2	GREASE NIPPLE R 1/8" STRAIGHT		-
15	72324	2	HEXAGONAL NUT M 12 NYLOC DIN 985		-
16	74766	1	HEXAGONAL SCREW M8*140		-
17	A48492	2	WASHER M8X40		-
18	72320	5	HEXAGONAL NUT M8 NYLOC DIN 985		-
19	71691	2	WASHER M12 A13 DIN 125		-
20	72147	5	HEXAGONAL SCREW M 10*16 DIN 933		-
21	74531	7	SPACER NORDLOCK M10, PAIR		-
22	64324	3	REDUCER FITTING RI 3/8"-EDX 1/4"		-
23	64087	3	ELBOW FITTING 90 DEGR. /4#		-
24	64044	1	ELBOW FITTING 90° C40XS10-3/8 /8		-
25	A414606	1	HYDR. HOSE L=1400		-
26	A47637	1	HYDR. HOSE L=1300 2LW-06		-
27	A47921	1	HYDR. CYLINDER F90/F40-216		-
27.1	65005	1	SEAL KIT, CYLINDER 90/40 A47920 A47921		-
27.2	64911	1	ARTICUL. BEARING GE40ES F62/40-28(22)		-
28	A47032	1	HYDR. CYLINDER F50/F32-600		-
28.1	65004	1	SEAL KIT 50/32 CYLINDER A47032		-
28.2	64273	1	ARTICUL. BEARING GE30ESF47/30-22(18)		-
28.3	64823	1	SLIDE BEARING BRM-80 F34/F30-30		-
29	74505	2	HEXAGONAL SCREW M10*35 DIN 933 ZN		-
30	A413816	1	SERVICE SUPPORT, LIFT CYLINDER		-
31	64188	2	FINGER SCREW R5026M8S		-
32	72139	1	HEXAGONAL SCREW M 8*60 DIN 931		-
33	A414912	1	HYDR. HOSE L=1250 2LW-06		-
34	A414913	1	HYDR. HOSE L=1550 2LW-06		-
35	A410804	1	MOUNTING BRACKET, MULTI CONNECTOR LOADER		-
36	73122	4	WASHER M8 A8,4 DIN 125 ZN		-
37	71884	4	HEXAGONAL HEAD SCREW M 8*25 DIN 912 2		-
38	65252	1	MULTI CONNECTOR, ON LOADER		18
39	64058	3	BASIC FITTING F40XS12-1/2		-
40	A430655	1	RELEASE PLATE		-
41	A432890	1	RELEASE PLATE RIGHT		-

11.8.2023

A436687 LINKAGE PIECE "BOOMERANG" CAST STEEL



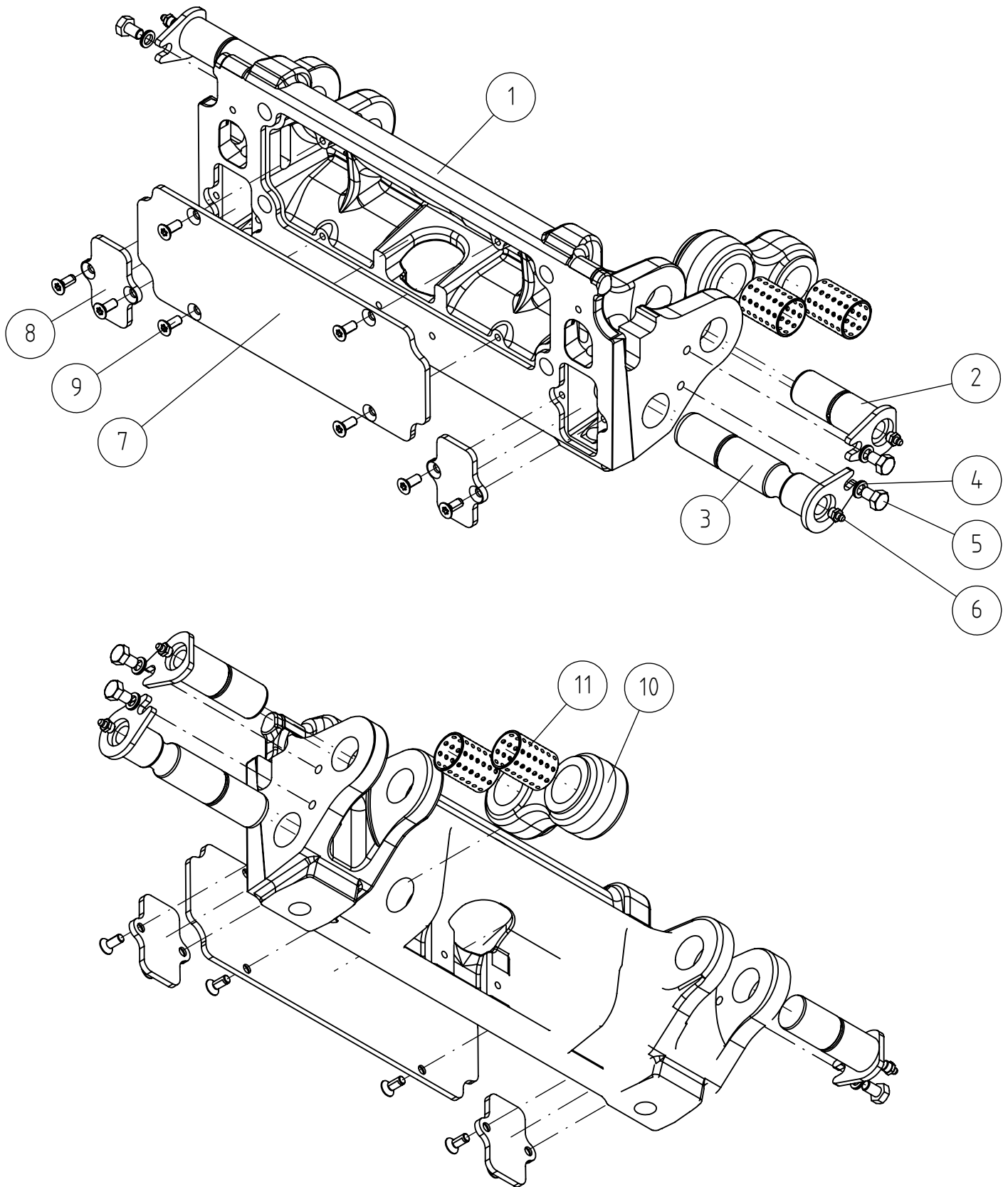
11.8.2023

A436687 LINKAGE PIECE "BOOMERANG" CAST STEEL

REF	PART NO	QTY	DESCRIPTION	NOTES	PAGE
1	A435456	1	LINKAGE PIECE "BOOMERANG" CAST STEEL		-
2	64912	2	SLIDE BEARING BRM-80 TF44/F40-40		-
3	A430579	1	PIVOT PIN 35-103		-
4	A430582	1	PIVOT PIN 35-92		-
5	72147	2	HEXAGONAL SCREW M 10*16 DIN 933		-
6	72798	2	GREASE NIPPLE R 1/8" STRAIGHT		-
7	74531	2	SPACER NORDLOCK M10, PAIR		-

11.8.2023

A436576 ATTACHMENT COUPLING PLATE CAST STEEL



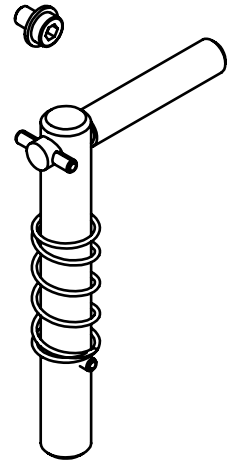
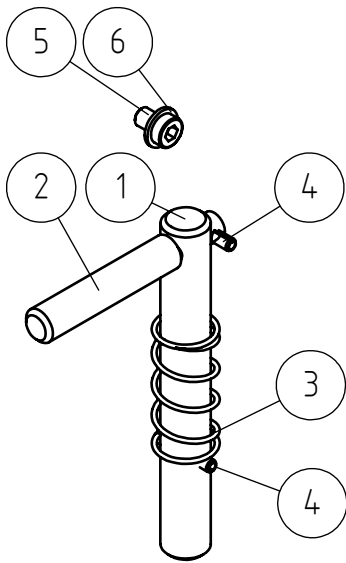
11.8.2023

A436576 ATTACHMENT COUPLING PLATE CAST STEEL

REF	PART NO	QTY	DESCRIPTION	NOTES	PAGE
1	A21749	1	ATTACHMENT COUPLING PLATE CAST STEEL		-
2	A412814	2	PIVOT PIN F35-98		-
3	A427469	1	PIVOT PIN 35-175		-
4	74531	3	SPACER NORDLOCK M10, PAIR		-
5	72147	3	HEXAGONAL SCREW M 10*16 DIN 933		-
6	72798	3	GREASE NIPPLE R 1/8" STRAIGHT		-
7	A427458	1	COVERING PLATE 378X127 ATTACHM COUPL PLA		-
8	A427464	2	COVERING PLATE 87X47 ATTACHM COUPL PLATE		-
9	A441215	8	THREAD-FORMING SCREW M8*20 ISO 14581		-
10	A430010	1	LINKAGE PIECE 500/600 SERIES		-
11	64913	2	SLIDE BEARING BRM-80 F39/F35-50		-

11.8.2023

A436614 LOCKING PIN ASSEMBLY ATTACHM COUPL PLATE



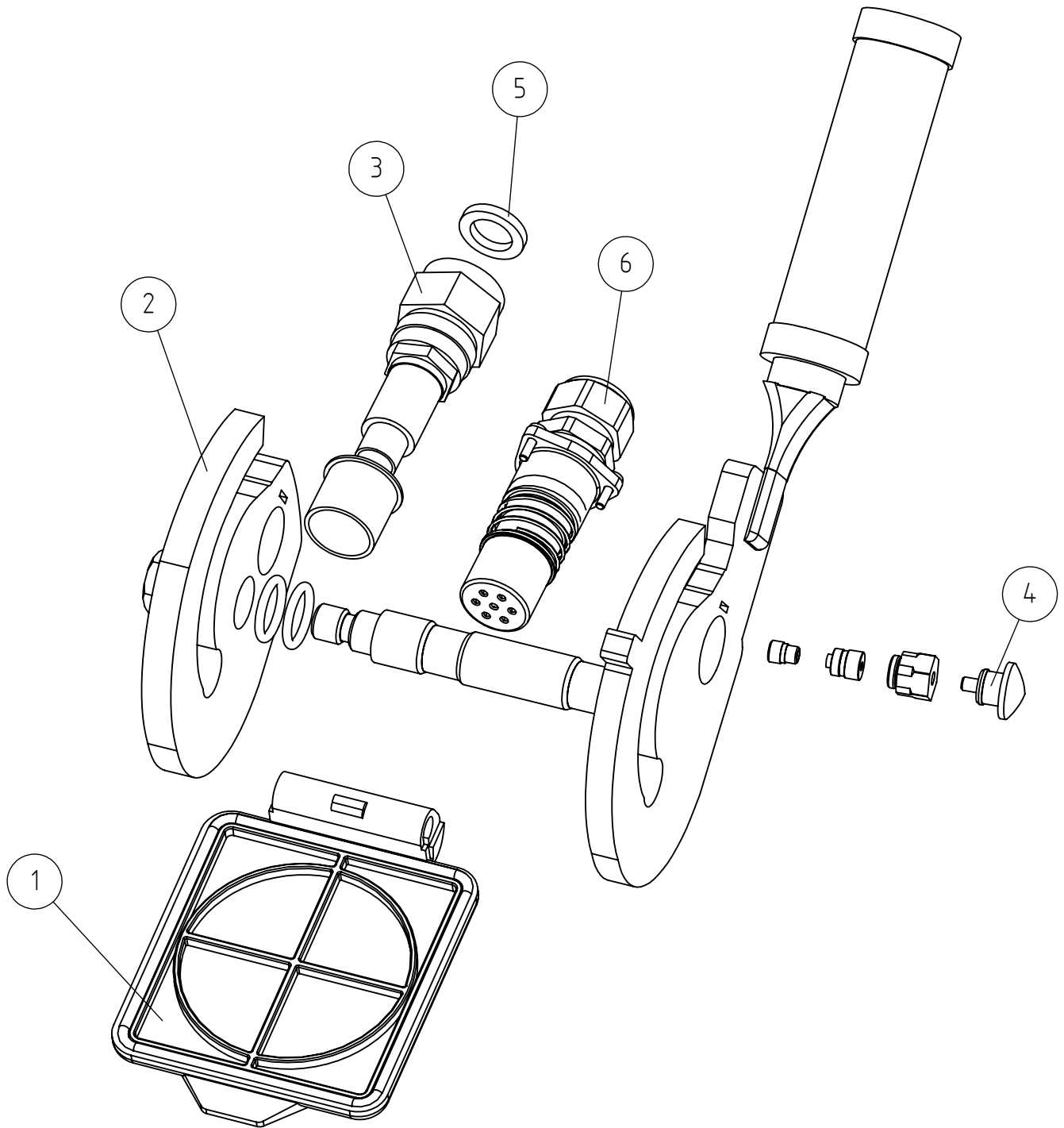
11.8.2023

A436614 LOCKING PIN ASSEMBLY ATTACHM COUPL PLATE

REF	PART NO	QTY	DESCRIPTION	NOTES	PAGE
1	A47687	2	LOCKING PIN F20		-
2	A47688	2	LATCH PIN		-
3	64138	2	COMPRESSION SPRIG DIN 2098 2*25*135		-
4	73661	4	SPRING PIN 5*30 DIN 1481		-
5	74932	2	HEXAGONAL HEAD SCREW M8*12		-
6	73122	2	WASHER M8 A8,4 DIN 125 ZN		-

11.8.2023

65252 MULTI CONNECTOR, ON LOADER



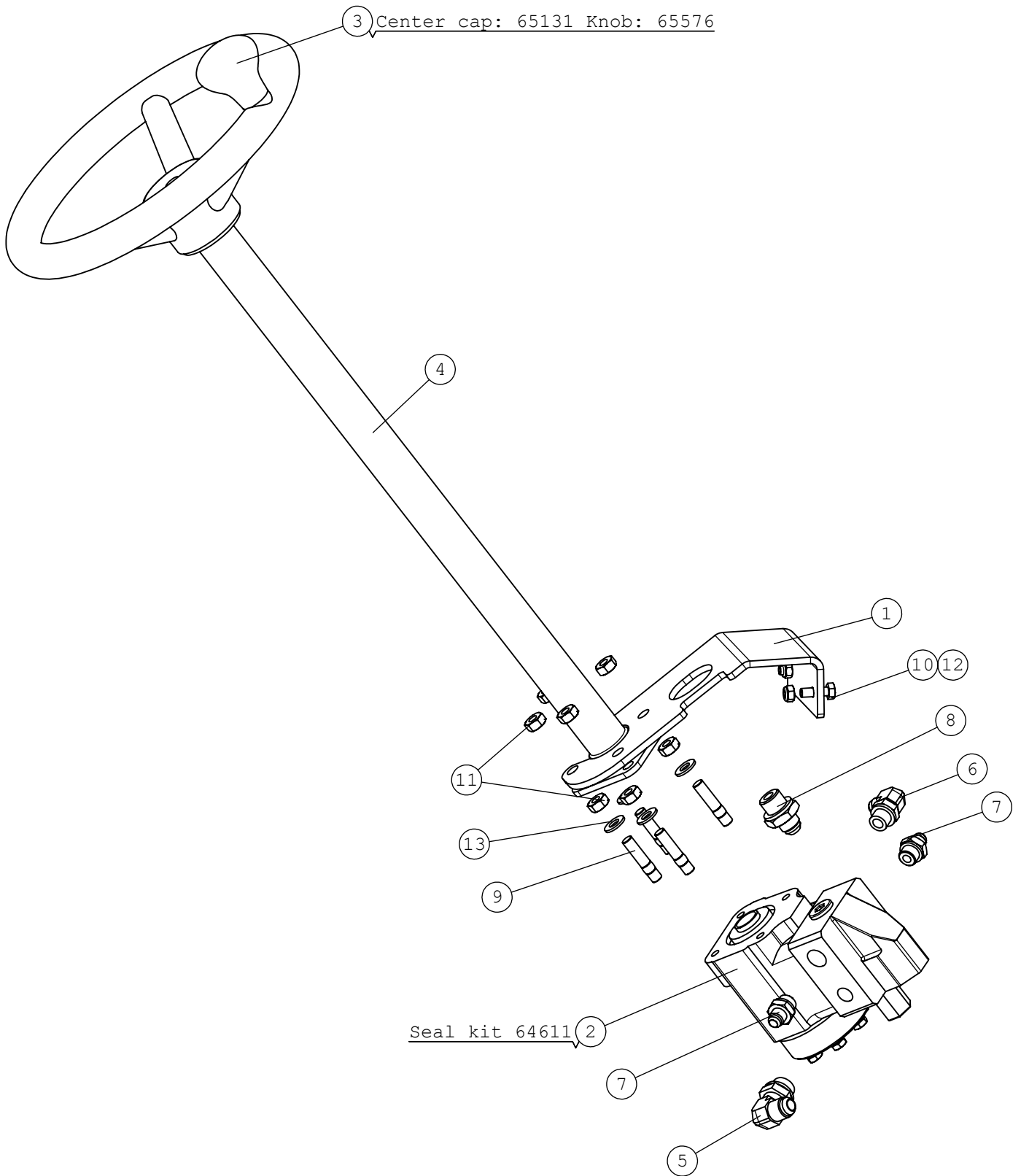
11.8.2023

65252 MULTI CONNECTOR, ON LOADER

REF	PART NO	QTY	DESCRIPTION	NOTES	PAGE
1	65882	1	CAP PLATE, KIT, MULTI CONNECTOR		-
2	65884	1	HANDLE, KIT, MULTI CONNECTOR ON LOADER		-
3	65881	1	QUICK COUPLER, ON MULTI CONNECTOR		-
4	65883	1	SAFETY BUTTON, KIT, MULTI CONNECTOR		-
5	65880	1	SEAL RING, MULTI CONNECTOR SK MF 12		-
6	75035	1	ELECTRIC CONNECTOR FEMININE, FASTER		-

11.8.2023

A48998 STEERING COLUMN



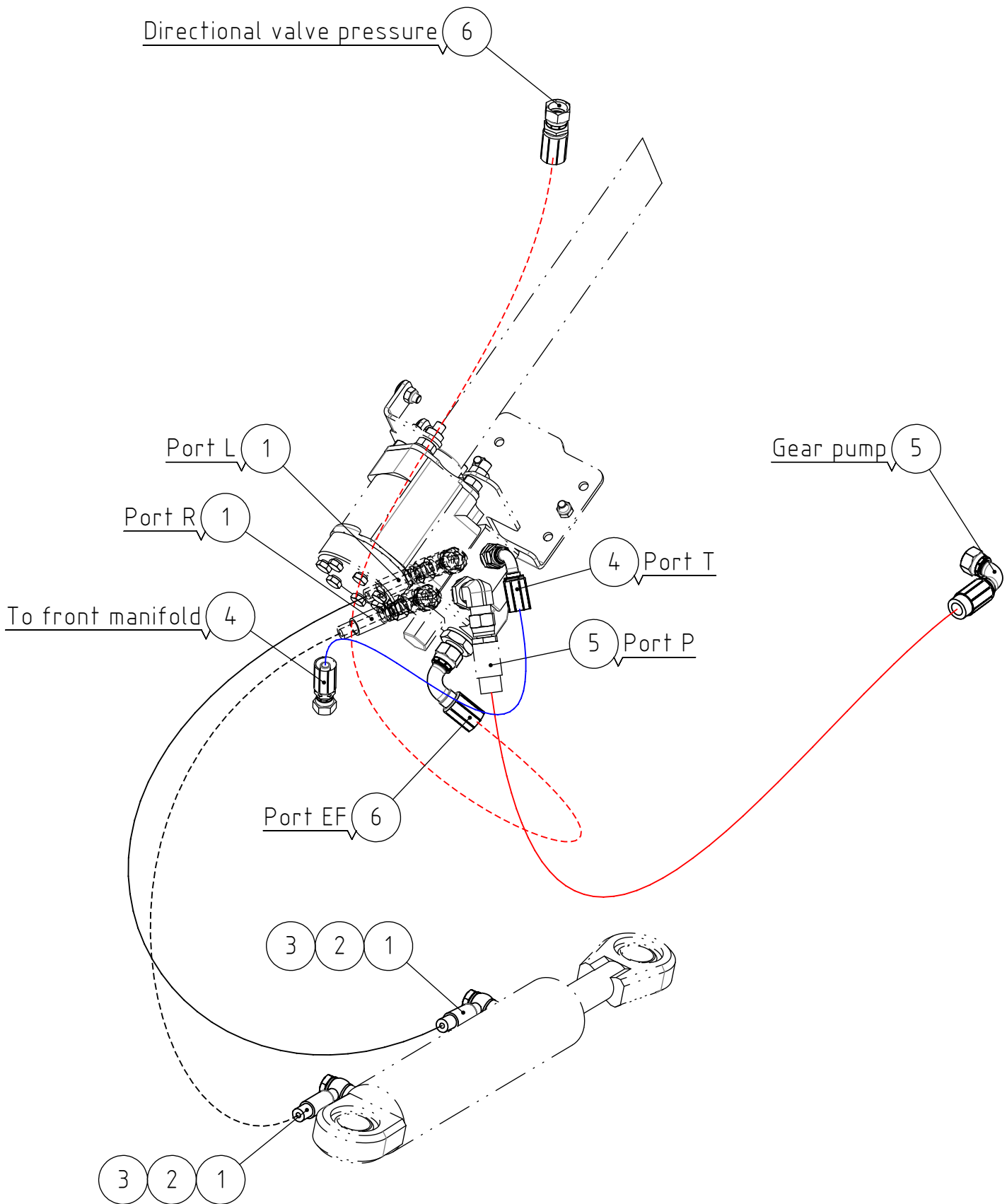
11.8.2023

A48998 STEERING COLUMN

REF	PART NO	QTY	DESCRIPTION	NOTES	PAGE
1	A412915	1	BRACKET, ORBITROL		-
2	64178	1	CONTROL BLOCK M+S HKUS 80/5-140+PRDD80/7		-
2.1	A430819	1	HEXAGONAL HEAD SCREW M10*1*45 ORBITROL		-
2.2	64611	1	SEAL KIT 41 5137 0130 M+S HKUS ORBITROL		-
2.3	64612	1	SEAL KIT, PRIORITY VALVE / ORBITROL M+S		-
3	65076	1	STEERING WHEEL "AVANT" F320		-
3.1	65131	1	CENTER CAP, STEERING WHEEL		-
3.2	65576	1	KNOB, STEERING WHEEL, COBO 0034.1130		-
4	66233	1	STEERING WHEEL ROD M+S KK650 - I		-
5	64045	1	ELBOW FITTING 90° C40XS12-1/2 /2		-
6	64044	1	ELBOW FITTING 90° C40XS10-3/8 /8		-
7	64041	2	BASIC FITTING F40XS10-3/8 /8		-
8	64058	1	BASIC FITTING F40XS12-1/2		-
9	74587	4	STUD M10* 35 DIN 939		-
10	72132	2	HEXAGONAL SCREW M 8*25 DIN 933 ZN		-
11	72321	8	HEXAGONAL NUT M10 DIN 934		-
12	72320	2	HEXAGONAL NUT M8 NYLOC DIN 985		-
13	73121	4	WASHER M10 A10,5 DIN 125 ZN		-

11.8.2023

A449399 HYDR. HOSES ORBITROL



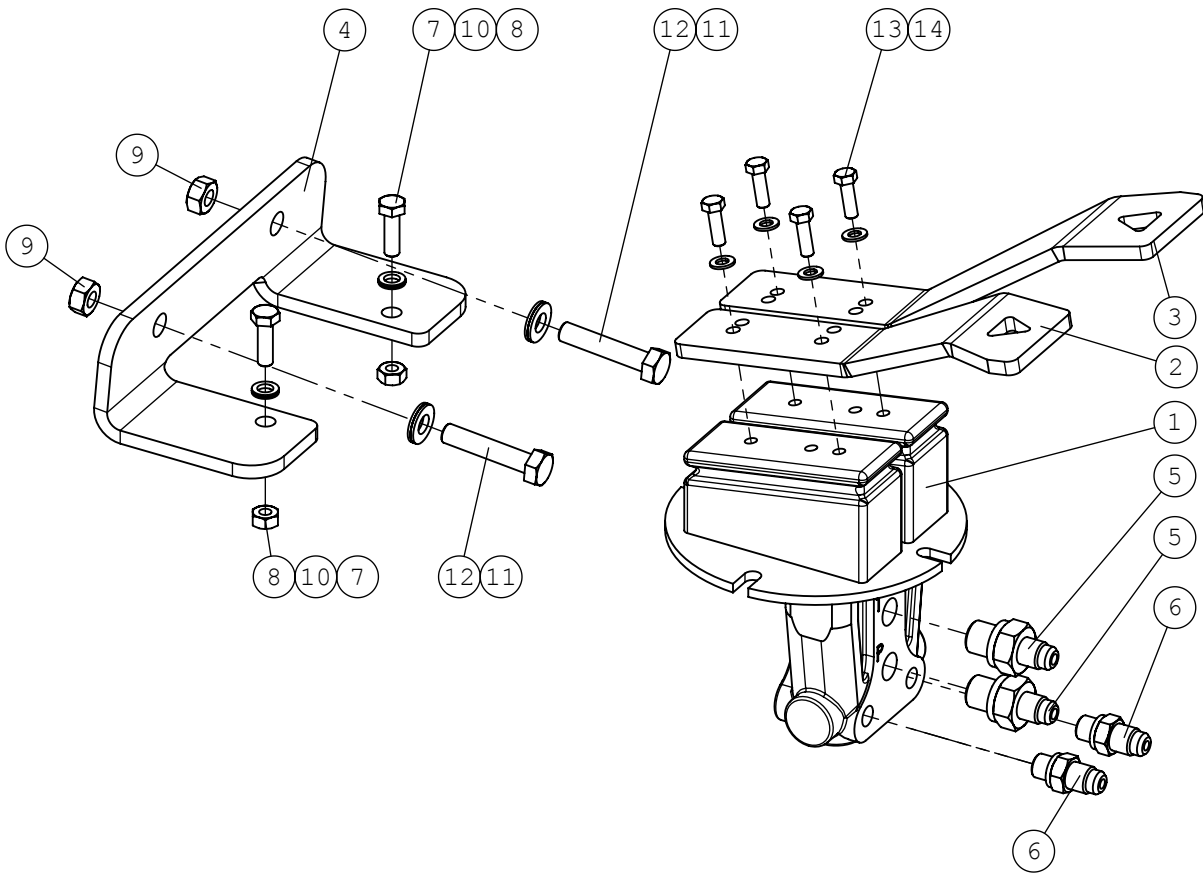
11.8.2023

A449399 HYDR. HOSES ORBITROL

REF	PART NO	QTY	DESCRIPTION	NOTES	PAGE
1	A414362	2	HYDR. HOSE L=960		-
2	64557	2	BANJO BOLT R 1/4"		-
3	73757	4	USIT COMPRESSION R1/4"		-
4	A434556	1	HYDR. HOSE L=500		-
5	A47633	1	HYDR. HOSE L=1110 2LW-08 JIC12-JIC12 90		-
6	A434549	1	HYDR. HOSE L=1450		-

11.8.2023

A49058 DRIVE PEDAL, COMPLETE ASSEMBLY



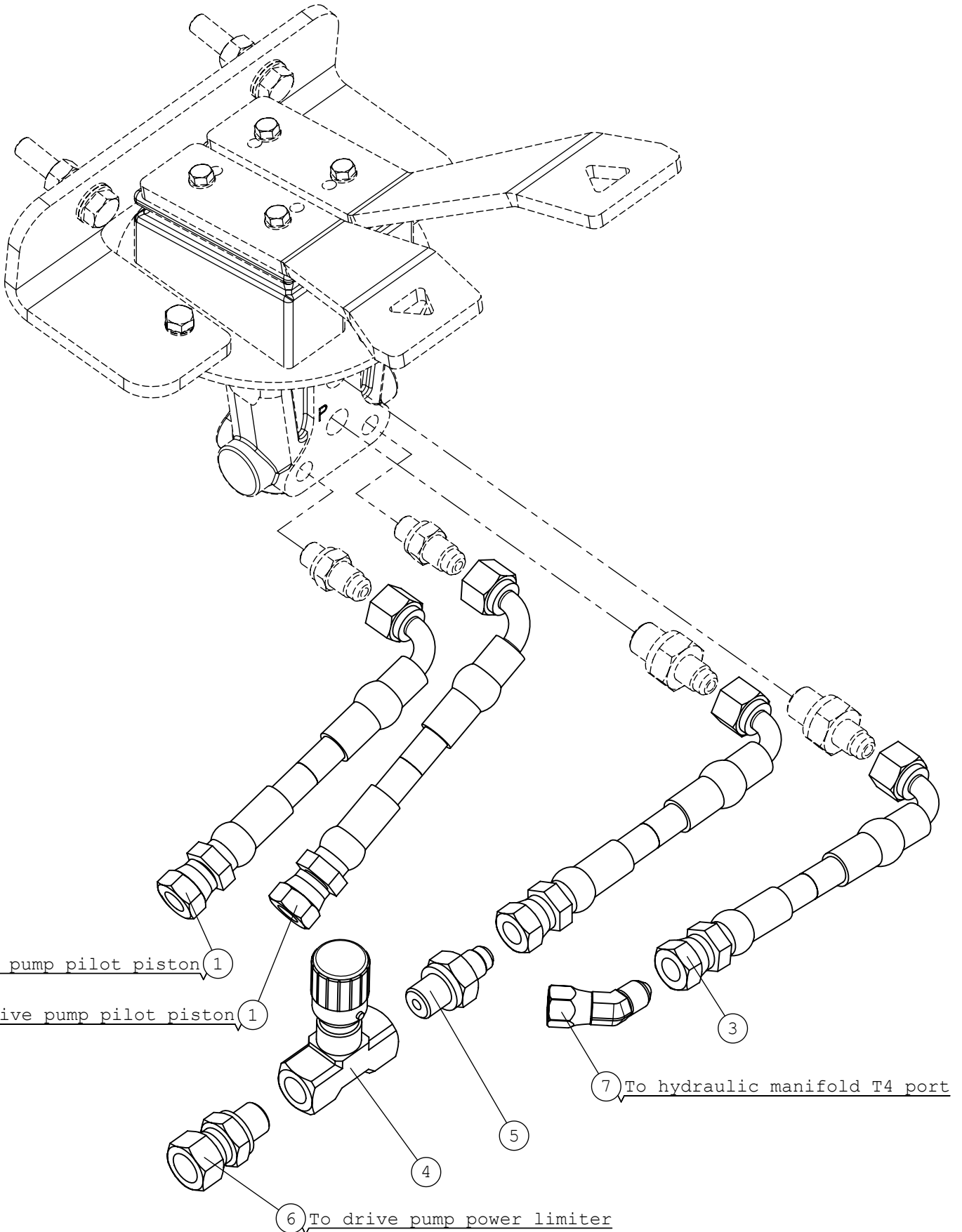
11.8.2023

A49058 DRIVE PEDAL, COMPLETE ASSEMBLY

REF	PART NO	QTY	DESCRIPTION	NOTES	PAGE
1	64922	1	HYDR. PEDAL BONDIOLI HPCF0G218SP00102-1		-
2	A47550	1	DRIVE PEDAL, LEFT		-
3	A47551	1	DRIVE PEDAL, RIGHT		-
4	A47247	1	BRACKET, DRIVE PEDAL		-
5	64678	2	BASIC FITTING F40XS6-1/4"		-
6	64793	2	BASIC FITTING F40XS6-1/8"		-
7	72118	2	HEXAGONAL SCREW M6*20 DIN 933		-
8	72317	3	HEXAGONAL NUT M6 DIN 934		-
9	72319	2	HEXAGONAL NUT M8 DIN 934		-
10	74530	2	WASHER NORDLOCK NL6		-
11	63944	2	WASHER, PAIR, NORD-LOCK M8		-
12	73222	2	HEXAGONAL SCREW M8*40 DIN 933		-
13	72110	4	HEX. SCREW M5*16 DIN 933		-
14	74448	4	WASHER M5 A5,3 DIN 125 ZN		-

11.8.2023

A422190 HYDR. HOSES DRIVE PEDAL 700 SERIES



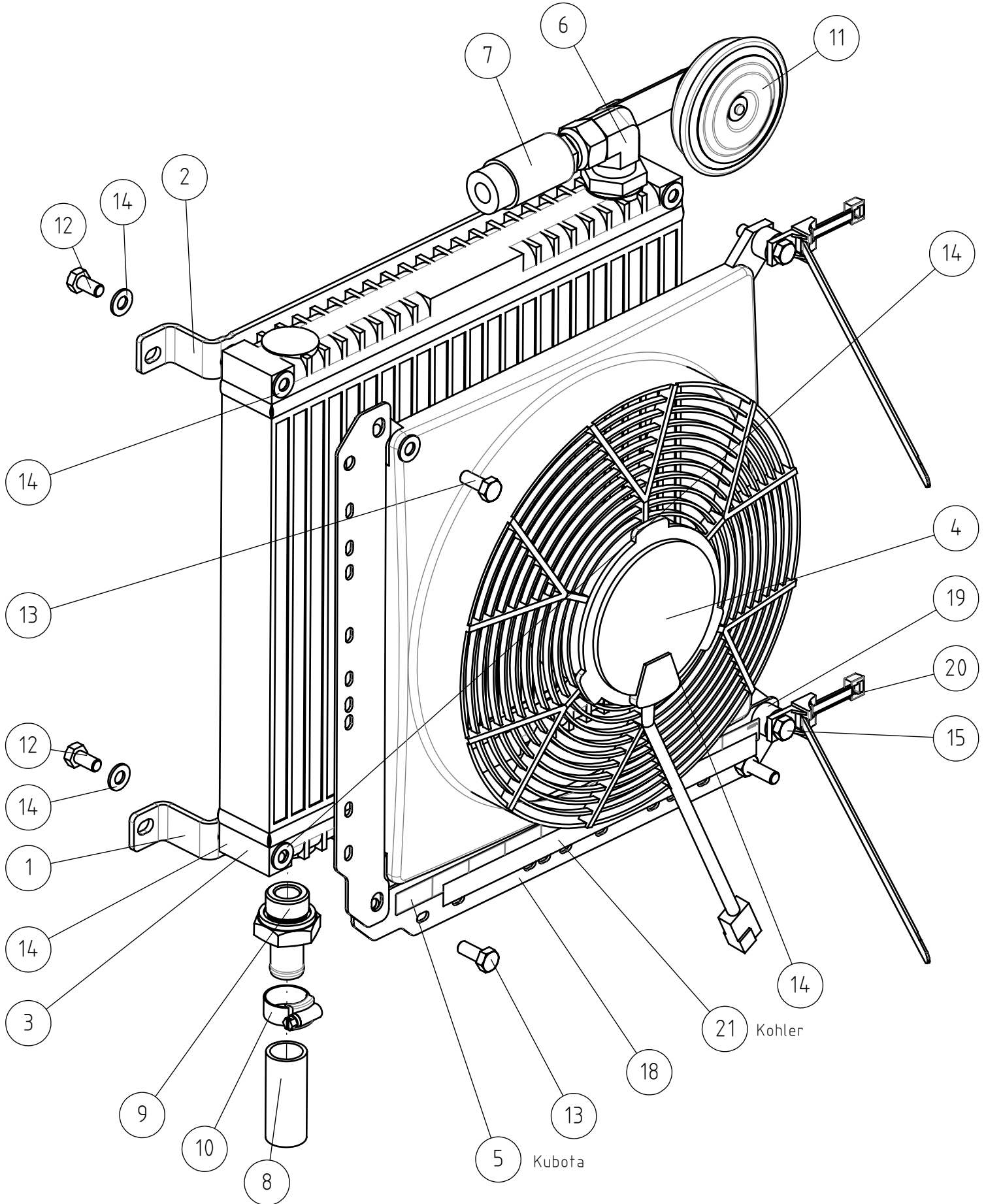
11.8.2023

A422190 HYDR. HOSES DRIVE PEDAL 700 SERIES

REF	PART NO	QTY	DESCRIPTION	NOTES	PAGE
1	A422164	2	HYDR. HOSE L=1240		-
2	A410274	1	HYDR. HOSE L=1120		-
3	A47643	1	HYDR. HOSE L=430 TYPE 087-3/16" JIC6-		-
4	63879	1	CHECK VALVE 9N400S R1/4"-R1/4"		-
5	64678	1	BASIC FITTING F40XS6-1/4"		-
6	64060	1	CONNECTOR NIPPLE F64XS10-1/4		-
7	65587	1	ELBOW FITTING 45° UNF 7/16" JIC		-

11.8.2023

A413893 HYDRAULIC OIL COOLER, COMPLETE ASSEMBLY



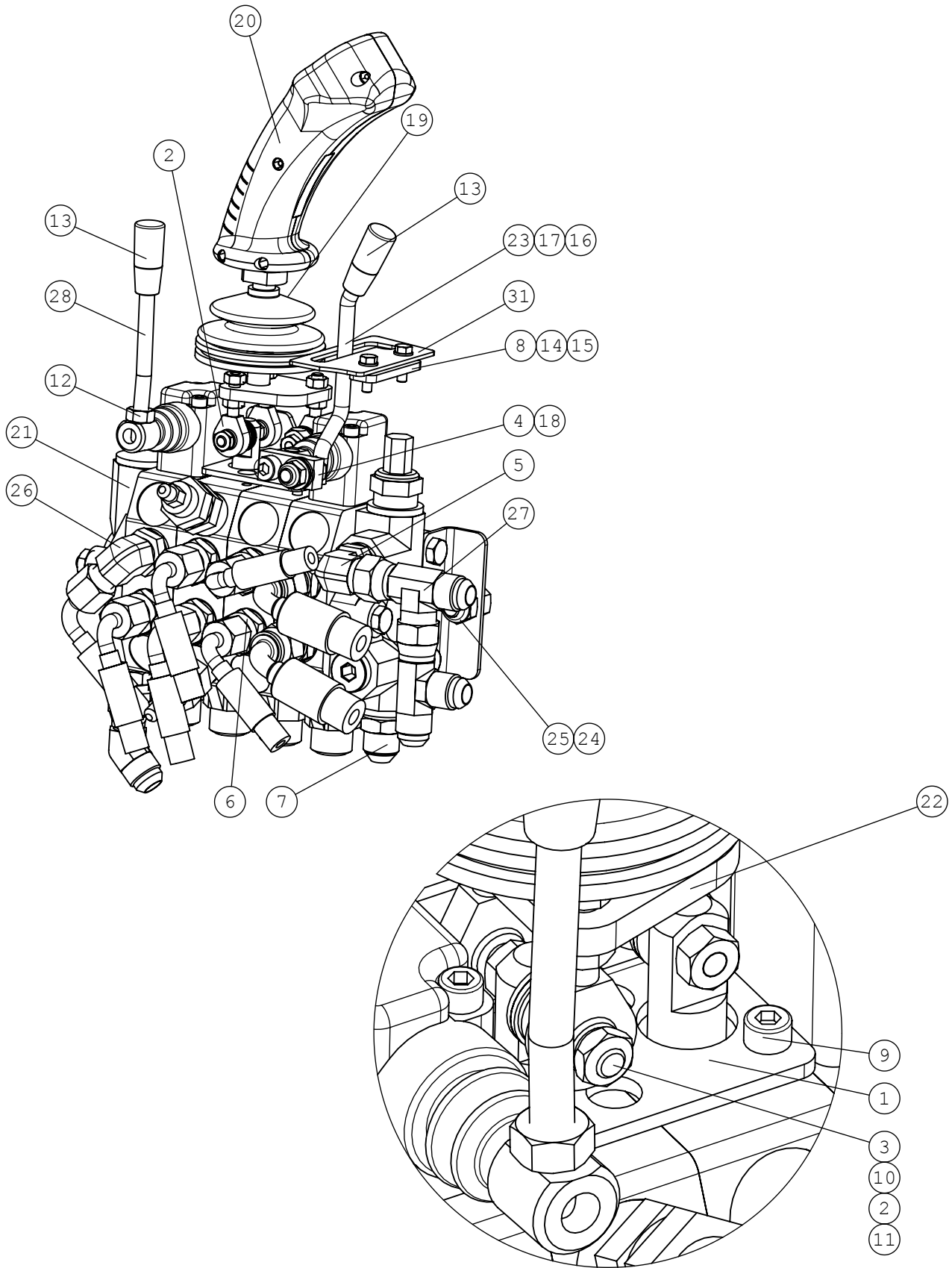
11.8.2023

A413893 HYDRAULIC OIL COOLER, COMPLETE ASSEMBLY

REF	PART NO	QTY	DESCRIPTION	NOTES	PAGE
1	A47768	1	BRACKET, OIL COOLER, LOWER		-
2	A436513	1	MOUNTING BRACKET OIL COOLER, ADJUSTABLE		-
3	64934	1	OIL COOLER CELL ASA 350*350*45		-
4	65568	1	FAN, HYDRAULIC OIL COOLER COMEX F48-		-
5	A413994	1	DECAL, RELAYS		-
6	64693	1	ELBOW FITTING 90 DEGR. C40XS16-3/4"		-
7	A47682	1	HYDR. HOSE L=280 1LW-10 JIC16-JIC16 90		-
8	A49182	1	INLET HOSE D=20 L=550		-
9	66427	1	HOSE BARB R3/4"UK - 20MM		-
10	73530	1	HOSE CLAMP 22-32 MM		-
11	64157	1	SIGNAL HORN COMPLETE		-
12	73039	4	HEXAGONAL SCREW M 8*16 DIN 933 ZN		-
13	72130	2	HEXAGONAL SCREW M8*20		-
14	73122	13	WASHER M8 A8,4 DIN 125 ZN		-
15	73443	2	HEXAGONAL SCREW M8*35		-
16	72319	1	HEXAGONAL NUT M8 DIN 934		-
17	72133	1	HEXAGONAL SCREW M8*30 DIN 933		-
18	A440802	2	RELAY MOUNTING RAIL FOR MINI AND MICRO		-
19	A413262	2	BUSHING F19/F10, FLOOR RAISING, 700 SERI		-
20	A442641	2	CABLE TIE 7,6*390 M8 BLACK		-
21	A440983	1	DECAL, RELAY MOUNTING RAIL		-

11.8.2023

A34281 CONTROL VALVE COMPLETE 420 HDS11/4



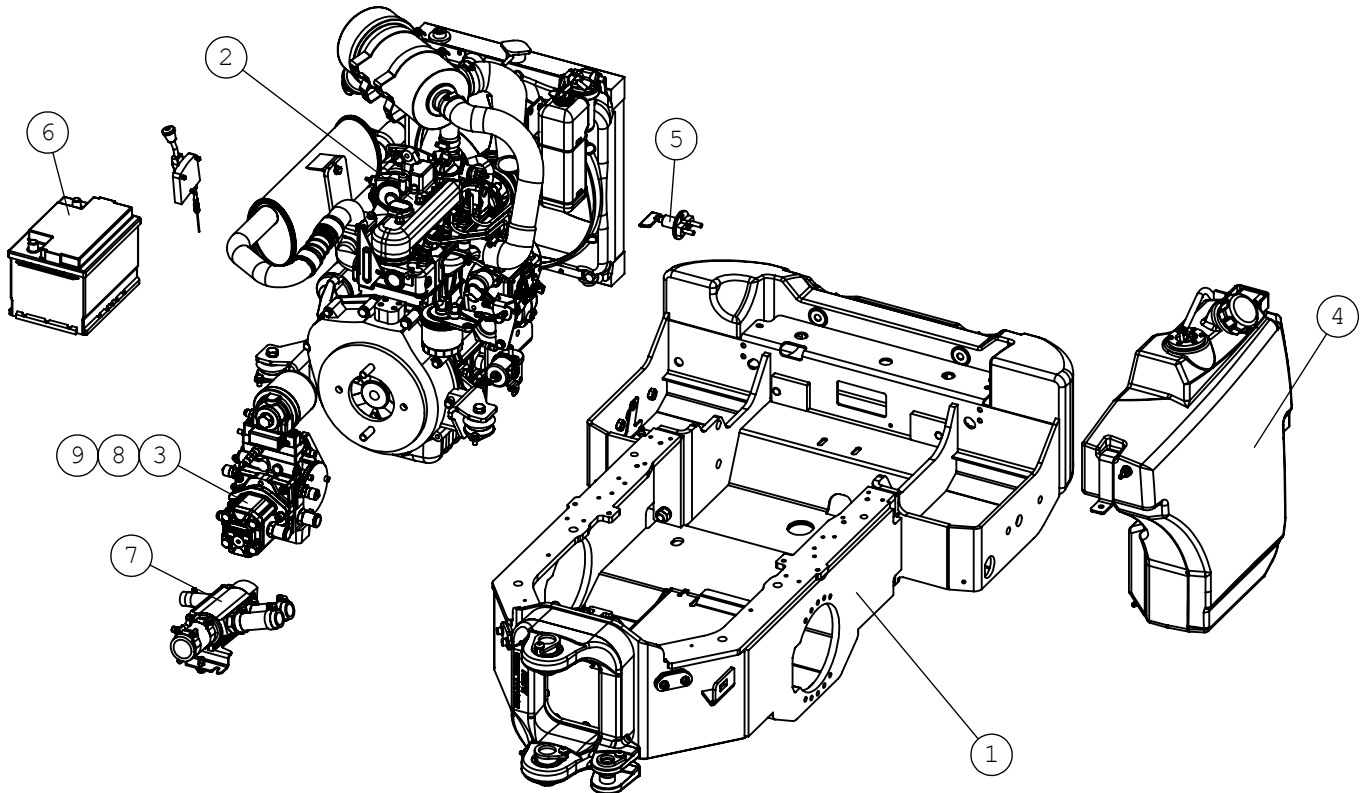
11.8.2023

A34281 CONTROL VALVE COMPLETE 420 HDS11/4

REF	PART NO	QTY	DESCRIPTION	NOTES	PAGE
1	A42838	1	BRACKET, LINKAGE CONTROL LEVER		-
2	63690	3	ROD END BEARING ASAHI JAM 6		-
3	A41821	2	PIN, CONTROL LEVERS		-
4	A43092	1	CONNECTING PIECE, CONTROL LEVER		-
5	64068	1	ELBOW FITTING 90 DEGR. C40XS12-3/8 /8		-
6	64041	5	BASIC FITTING F40XS10-3/8 /8		-
7	64042	4	BASIC FITTING F40XS12-3/8 /8		-
8	A48360	1	LOCKING PIECE		-
9	74472	2	HEXAGONAL HEAD SCREW M 5*16 DIN 912 ZN		-
10	A41822	2	LEVERAGE NUT M 6		-
11	63944	2	WASHER, PAIR, NORD-LOCK M8		-
12	72319	1	HEXAGONAL NUT M8 DIN 934		-
13	74761	3	KNOB, CONTROL LEVER		-
14	72110	2	HEX. SCREW M5*16 DIN 933		-
15	74448	2	WASHER M5 A5,3 DIN 125 ZN		-
16	73122	2	WASHER M8 A8,4 DIN 125 ZN		-
17	72320	1	HEXAGONAL NUT M8 NYLOC DIN 985		-
18	74481	1	HEXAGONAL HEAD SCREW M8*20 DIN 912 ZN		-
19	74327	1	RUBBER COVER, CONTROL LEVER, F12/56*40		-
20	A410556	1	JOYSTICK HANDLE HB000		-
21	A410613	1	CONTROL VALVE HDS 11/4		-
22	A410614	1	BRACKET ROD, CONTROL LEVER		-
23	A410950	1	CONTROL LEVER, AUX. HYDR.		-
24	73040	2	HEXAGONAL SCREW M10*20 DIN 933 ZN		-
25	72322	2	HEXAGONAL NUT M 10 NYLOC DIN 985		-
26	64044	1	ELBOW FITTING 90° C40XS10-3/8 /8		-
27	64050	2	L-FITTING BODY R6XS12		-
28	A411056	1	CONTROL LEVER, TELESCOPIC BOOM		-

11.8.2023

A424132 BACK FRAME 528/530 OPTIDRIVE ASSEMBLY



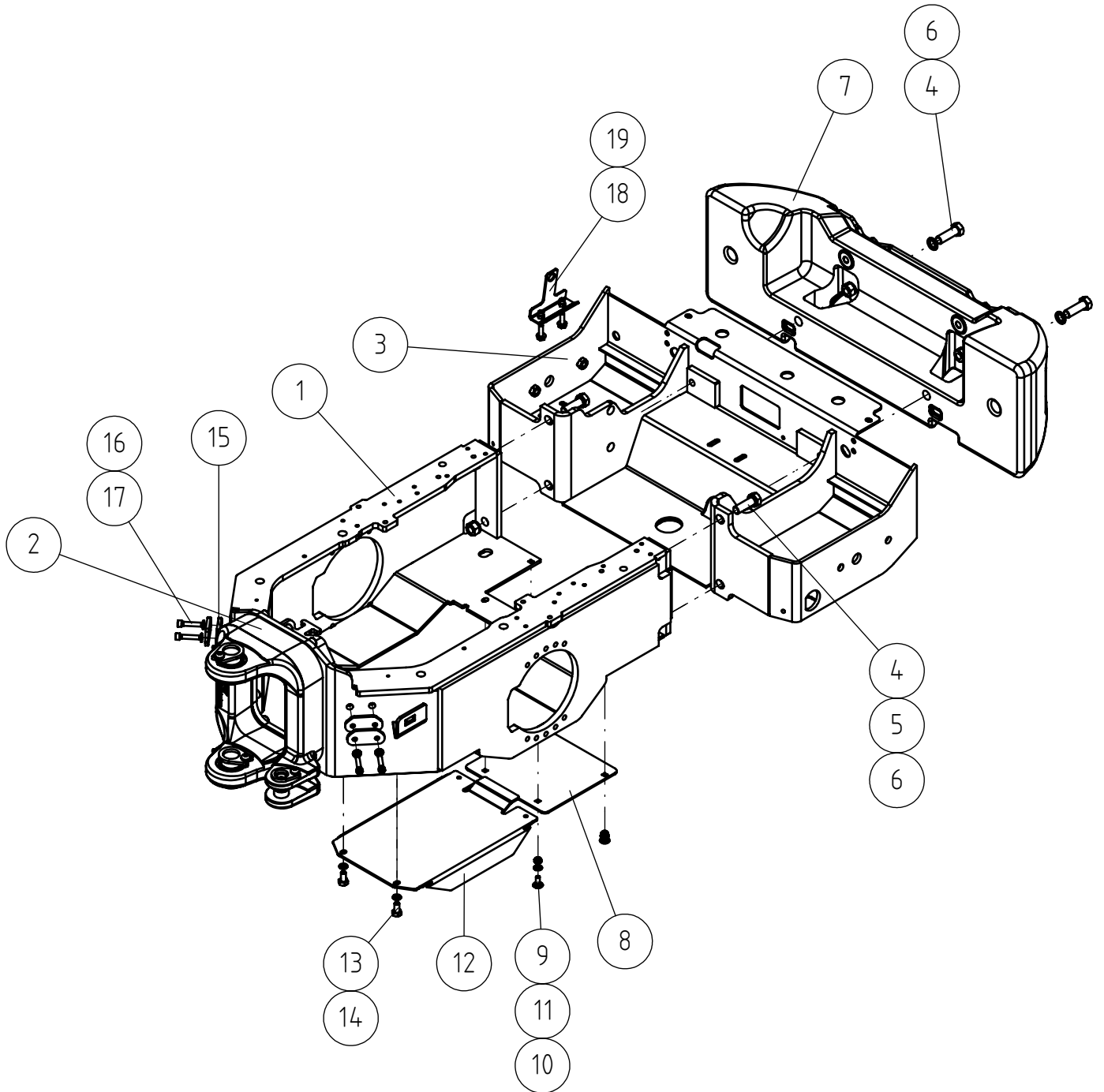
11.8.2023

A424132 BACK FRAME 528/530 OPTIDRIVE ASSEMBLY

REF	PART NO	QTY	DESCRIPTION	NOTES	PAGE
1	A444829	1	REAR CHASSIS ASSEMBLY 528-640		34
2	A21755	1	DIESEL ENGINE ASSEMBLY D1105 528/530		40
3	A37577	1	HYDRAULIC PUMPS ASSEMBLY		46
4	A413932	1	FUEL TANK, COMPLETE ASSEMBLY		48
5	64141	1	BATTERY DISCONNECT SWITCH 28V/100A		-
5.1	64394	1	KEY, BATTERY DISCONNECT SWITCH C-180216		-
6	64844	1	BATTERY 12V 60AH 430A 097 241*175*175 MM		-
7	A427551	1	HYDRAULIC MANIFOLD WITH HOSES 528/530		50
8	72326	2	HEXAGONAL NUT M14 DIN 934		-
9	74690	2	WASHER NORDLOCK M14 NL14		-

11.8.2023

A444829 REAR CHASSIS ASSEMBLY 528-640



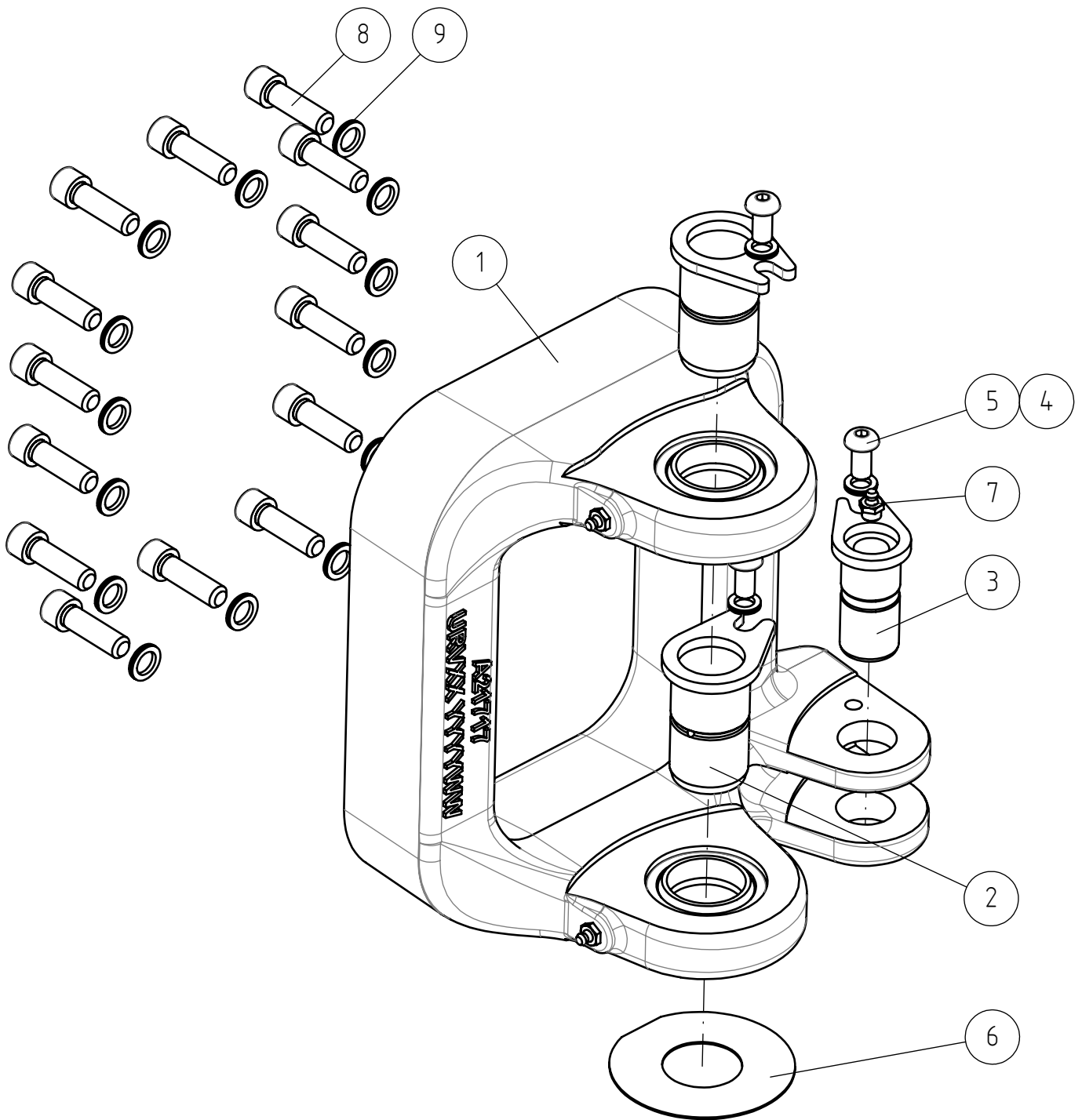
11.8.2023

A444829 REAR CHASSIS ASSEMBLY 528-640

REF	PART NO	QTY	DESCRIPTION	NOTES	PAGE
1	A434401	1	REAR FRAME, FRONT PART ASSEMBLY		-
2	A37449	1	ARTICULATION JOINT ASSEMBL REAR FRAME		36
3	A33331	1	BACK FRAME, REAR PART		-
4	72193	6	HEXAGONAL SCREW M16*50 DIN 933		-
5	72329	4	HEXAGONAL NUT M 16 DIN 934		-
6	74533	10	WASHER, PAIR, M16 NL16 NORDLOCK		-
7	A36909	1	REAR WEIGHT (BUMPER) 160 KG, ASSEMBLY		38
8	A451009	1	SERVICE HATCH REAR FRAME 423/523		-
9	74836	4	CARRIAGE BOLT M8*20		-
10	72320	4	HEXAGONAL NUT M8 NYLOC DIN 985		-
11	73122	4	WASHER M8 A8,4 DIN 125 ZN		-
12	A446658	1	SERVICE HATCH 400-700 SERIES		-
13	73040	2	HEXAGONAL SCREW M10*20 DIN 933 ZN		-
14	74531	2	SPACER NORDLOCK M10, PAIR		-
15	A442049	4	STOP PLATE STEERING		-
16	63944	4	WASHER, PAIR, NORD-LOCK M8		-
17	74918	4	HEXAGONAL HEAD SCREW M8*40 DIN 912		-
18	A437653	1	BRACKET, BATTERY 700-800 SER		-
19	A429202	2	HEXAGONAL SERRATED SCREW M8*25 WITH FLAN		-

11.8.2023

A37449 ARTICULATION JOINT ASSEMBL REAR FRAME



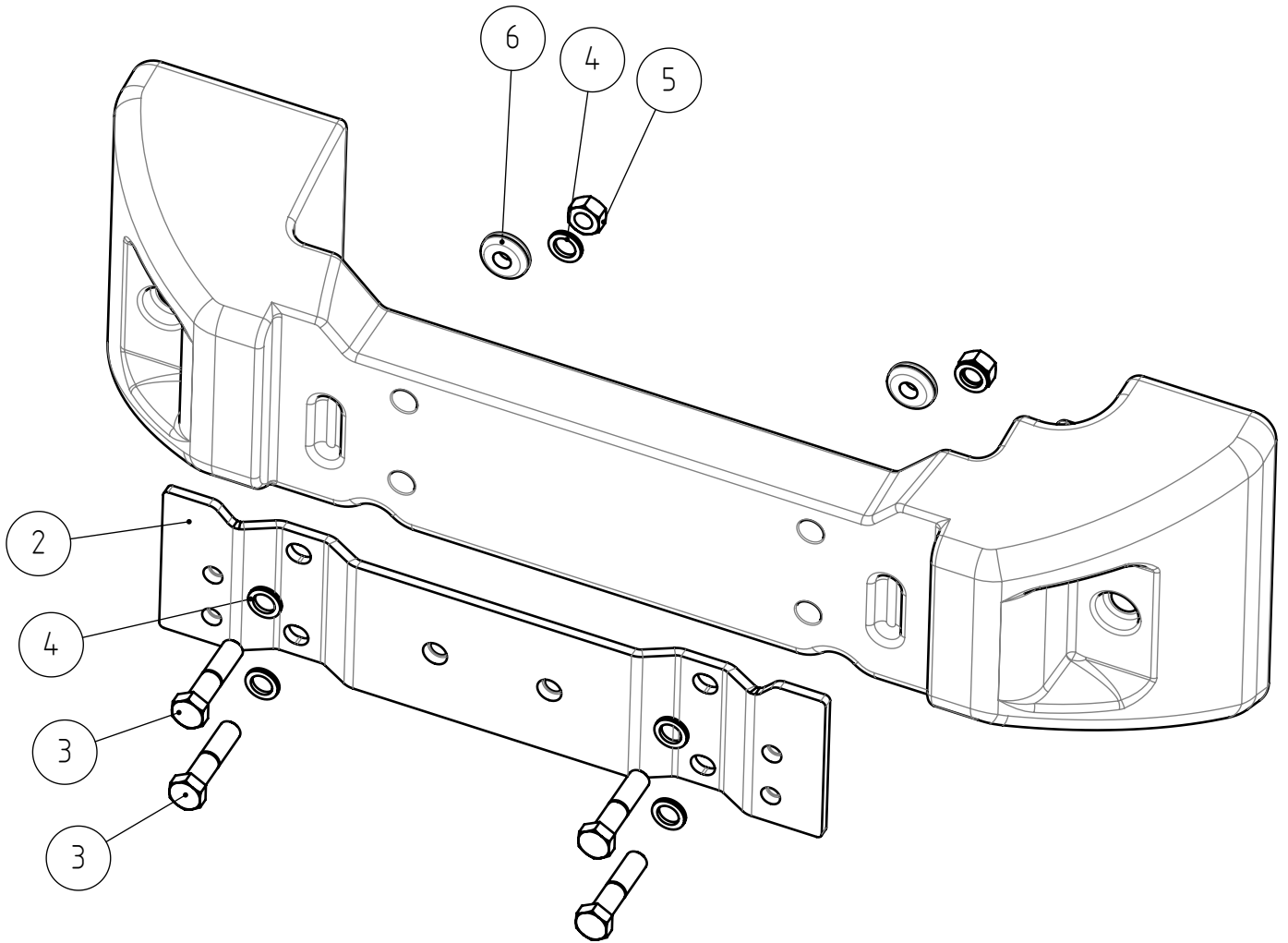
11.8.2023

A37449 ARTICULATION JOINT ASSEMBL REAR FRAME

REF	PART NO	QTY	DESCRIPTION	NOTES	PAGE
1	A444363	1	ARTICULATION JOINT CAST STEEL, ASSEMBLY		-
1.1	64911	2	ARTICUL. BEARING GE40ES F62/40-28(22)		-
2	72798	1	GREASE NIPPLE R 1/8" STRAIGHT		-
3	A47043	2	PIVOT PIN F40-63		-
4	A47655	1	PIVOT PIN F30-60		-
5	74531	3	SPACER NORDLOCK M10, PAIR		-
6	A437915	3	HEXAGONAL HEAD SCREW M10*20 10.9 2		-
7	A48263	1	SHIM RING S=1 MM, ARTICULATION JOINT		-
8	A437018	14	HEXAGONAL HEAD SCREW M12*40 12.9		-
9	74532	14	WASHER NORDLOCK NL12		-

11.8.2023

A36909 REAR WEIGHT (BUMPER) 160 KG, ASSEMBLY



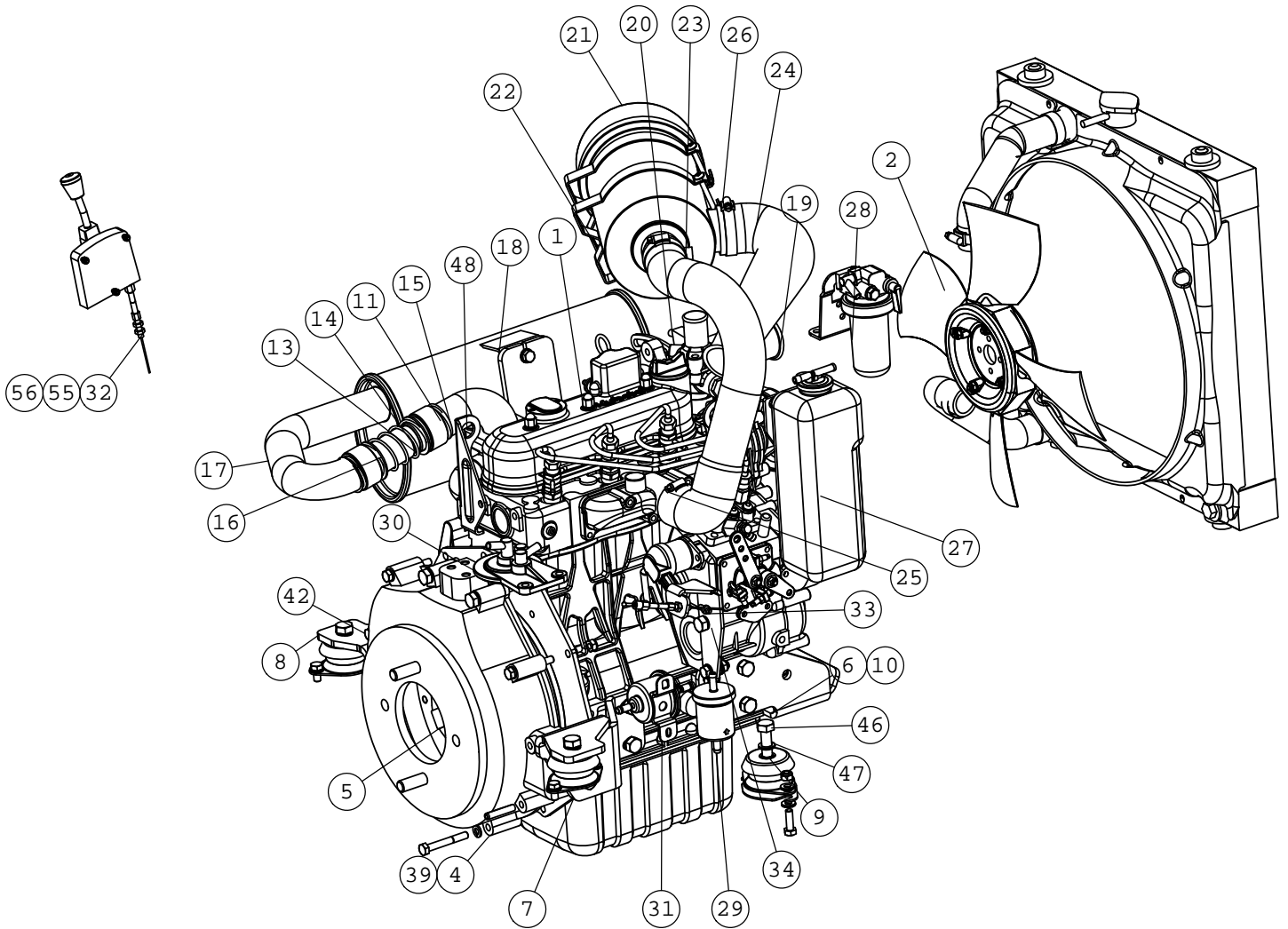
11.8.2023

A36909 REAR WEIGHT (BUMPER) 160 KG, ASSEMBLY

REF	PART NO	QTY	DESCRIPTION	NOTES	PAGE
1	A443369	1	REAR WEIGHT (BUMPER) 155 KG 500/600		-
2	A419683	1	MOUNTING PLATE, BACK WEIGHT 29 KG		-
3	72196	4	HEXAGONAL SCREW M16*70		-
4	74533	6	WASHER, PAIR, M16 NL16 NORDLOCK		-
5	72329	2	HEXAGONAL NUT M 16 DIN 934		-
6	A423105	2	PRESS NUT M16 37 MM		-

11.8.2023

A21755 DIESEL ENGINE ASSEMBLY D1105 528/530



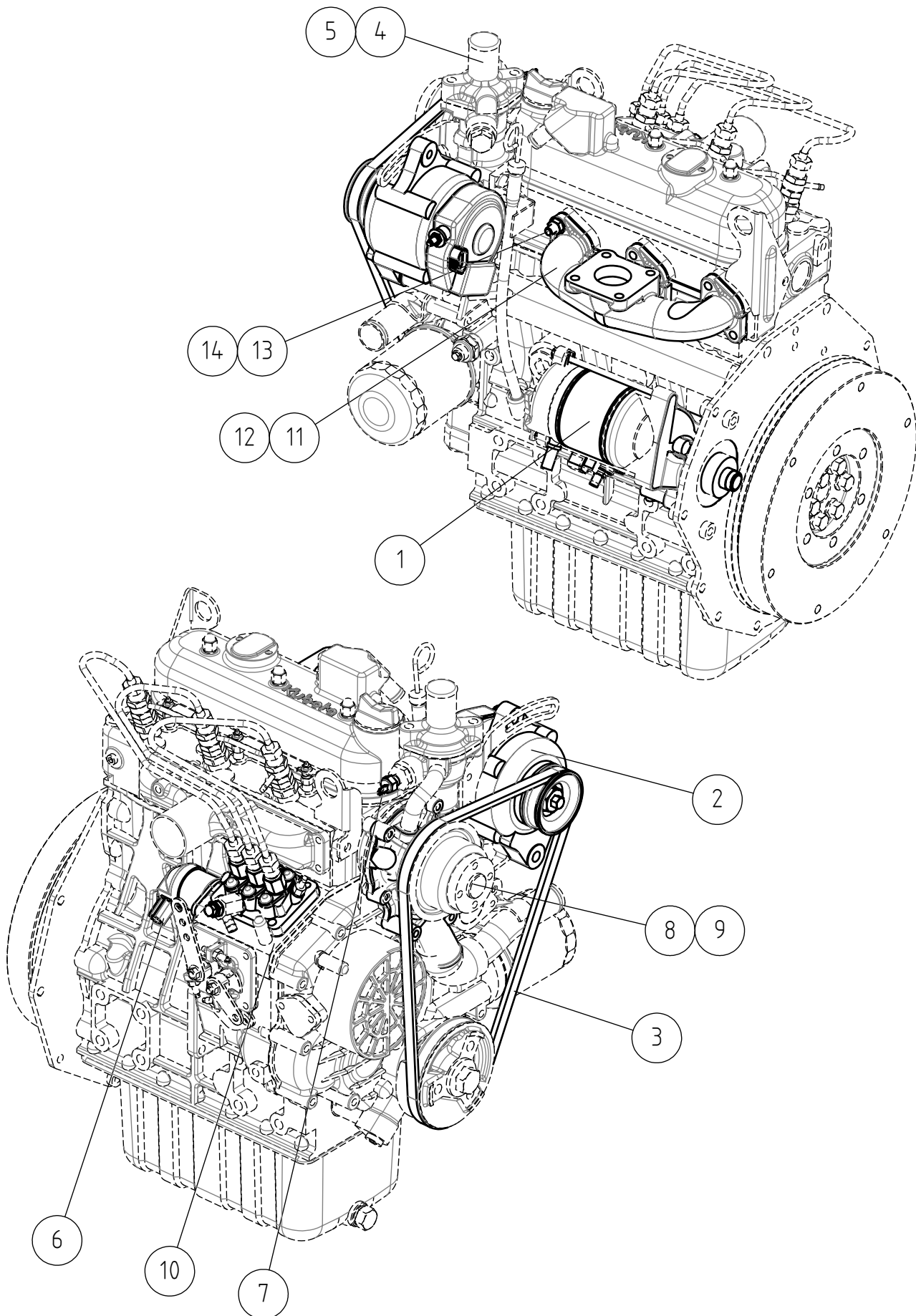
11.8.2023

A21755 DIESEL ENGINE ASSEMBLY D1105 528/530

REF	PART NO	QTY	DESCRIPTION	NOTES	PAGE
1	64964	1	DIESEL ENGINE D1105 WITHOUT RADIATOR		42
2	66450	1	FAN F380, 4 BLADE		-
3	A423594	1	RADIATOR, ASSEMBLY D1105/V1505		44
4	64691	1	FLYWHEEL HOUSING EAK4984 S05 / 530+, 523		-
5	64690	1	COUPLING EAK4921 16/32 Z=13 PUMP SIDE		-
6	A47252	1	MOUNTING BRACKET, ENGINE, REAR, 600/735		-
7	A415138	1	MOUNTING BRACKET, ENGINE, LEFT		-
8	A415139	1	MOUNTING BRACKET, ENGINE, RIGHT		-
9	64843	3	ENGINE MOUNT NOVIBRA RAB-3		-
10	A422269	1	SPACER PLATE 2MM		-
11	A48001	1	EXHAUST PIPE, ENGINE SIDE		-
12	64280	1	SEAL, EXHAUST PIPE, KUBOTA Z482/D722		-
13	A46003	1	EXHAUST PIPE, INNER		-
14	A46004	1	EXHAUST PIPE, OUTER		-
15	A46005	1	SPRING 3*41*140 NT 8,5		-
16	A46002	2	RING		-
17	A35261	1	EXHAUST MUFFLER		-
18	A48364	1	BRACKET, EXHAUST MUFFLER		-
19	65598	1	EXHAUST TRIM, MUFFLER, CHROME FINISH		-
20	74853	1	CLAMP, EXHAUST MUFFLER		-
21	64923	1	AIR FILTER VIRGIS / V1505		-
21.1	A443820	1	FINGER SCREW M6*224		-
22	64925	2	CLAMP, AIR FILTER, VIRGIS CF05-12906		-
23	A413931	1	INLET HOSE D1105		-
24	A419286	1	SUCTION RESTRICTOR HOSE		-
25	64338	2	HOSE CLAMP ABA 44-56 MM		-
26	73926	1	HOSE CLAMP 40-60 MM		-
27	65067	1	OVERFLOW TANK 1,30 L RADIATOR KUBOTA		-
28	64920	1	WATER SEQUESTER, KIT, KUBOTA 16614-43001		-
29	64657	1	FUEL FILTER IN HOSE 12581-43012 D1105		-
30	64868	1	FUEL FILTER, KIT 16613-43001		-
30.1	64626	1	FUEL FILTER CARTRIDGE 15221-4308-0		-
31	64625	1	FUEL PUMP ELECTR.		-
32	A420564	1	HAND THROTTLE CONTROL DEVICE WITH WIRE		-
32.1	A47712	1	THROTTLE WIRE L=3000/2700		-
33	74415	1	SCREW NIPPLE 128.244 S&N 2.35.0000.208		-
34	A47999	1	BRACKET, GAS WIRE		-
35	74689	2	HEXAGONAL HEAD SCREW M14* 50 DIN 912 ZN		-
36	74690	2	WASHER NORDLOCK M14 NL14		-
37	72139	7	HEXAGONAL SCREW M 8*60 DIN 931		-
38	73962	12	WASHER M 8 DIN 127		-
39	71774	1	SPRING COTTER PIN 8*40 DIN 1481		-
40	74688	2	HEXAGONAL SCREW M10*1,25 -60 DIN 960		-
41	74531	21	SPACER NORDLOCK M10, PAIR		-
42	74521	1	HEXAGONAL SCREW M8*80		-
43	72320	5	HEXAGONAL NUT M8 NYLOC DIN 985		-
44	74789	13	HEXAGONAL SCREW M10*1,25-20		-
45	72150	4	HEXAGONAL SCREW M10*25 DIN 933 ZN		-
46	73042	3	HEX. SCREW M12*35 DIN 933 ZN		-
47	74532	3	WASHER NORDLOCK NL12		-
48	73039	8	HEXAGONAL SCREW M 8*16 DIN 933 ZN		-
49	63944	12	WASHER, PAIR, NORD-LOCK M8		-
50	72132	4	HEXAGONAL SCREW M 8*25 DIN 933 ZN		-
51	72133	1	HEXAGONAL SCREW M8*30 DIN 933		-
52	74505	2	HEXAGONAL SCREW M10*35 DIN 933 ZN		-
53	73121	4	WASHER M10 A10,5 DIN 125 ZN		-
54	72322	2	HEXAGONAL NUT M 10 NYLOC DIN 985		-
55	74582	3	CROSS-SLOT COUNTERSUNK HEAD SCREW M4*25		-
56	72313	3	HEXAGONAL NUT M4 DIN 985 NYLOC		-

11.8.2023

64964 DIESEL ENGINE D1105 WITHOUT RADIATOR



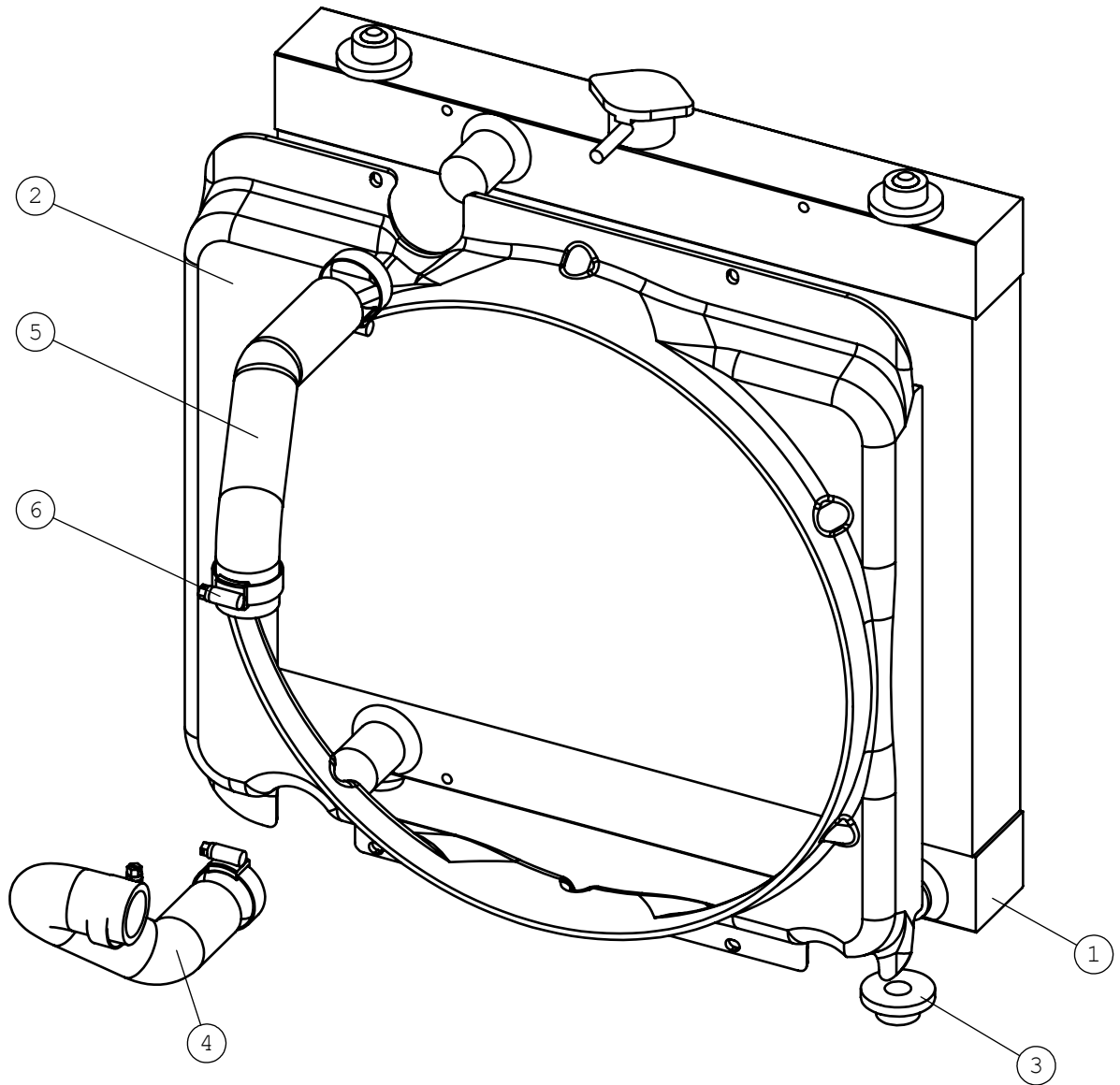
11.8.2023

64964 DIESEL ENGINE D1105 WITHOUT RADIATOR

REF	PART NO	QTY	DESCRIPTION	NOTES	PAGE
1	A429581	1	STARTER MOTOR ASSEMBLY KUBOTA		-
2	65574	1	ALTERNATOR KUBOTA 60A (KIT)		-
3	64628	1	V-BELT 37,5" KUBOTA D1105		-
4	A443823	1	TEMPERATURE SWITCH 82°C KUBOTA D902		-
5	A429739	1	GASKET THERMOSTAT KUBOTA		-
6	65245	1	STOP SOLENOID D1105 17208-60012		-
7	A444459	1	TEMPERATURE SWITCH 115° C KUBOTA		-
8	A429578	1	WATER PUMP KUBOTA D1105/V1505		-
9	A429625	1	GASKET WATER PUMP D1105/V1505		-
10	65135	1	INJECTION PUMP KUBOTA D1105		-
11	64725	1	EXHAUST MANIF D1105 16265-12312		-
12	64726	1	GASKET EXHAUST MANIFOLD D1105		-
13	64727	1	STUD EXHAUST MANIFOLD KUBOTA		-
14	64728	1	NUT EXHAUST MANIFOLD KUBOTA D1105		-

11.8.2023

A423594 RADIATOR, ASSEMBLY D1105/V1505



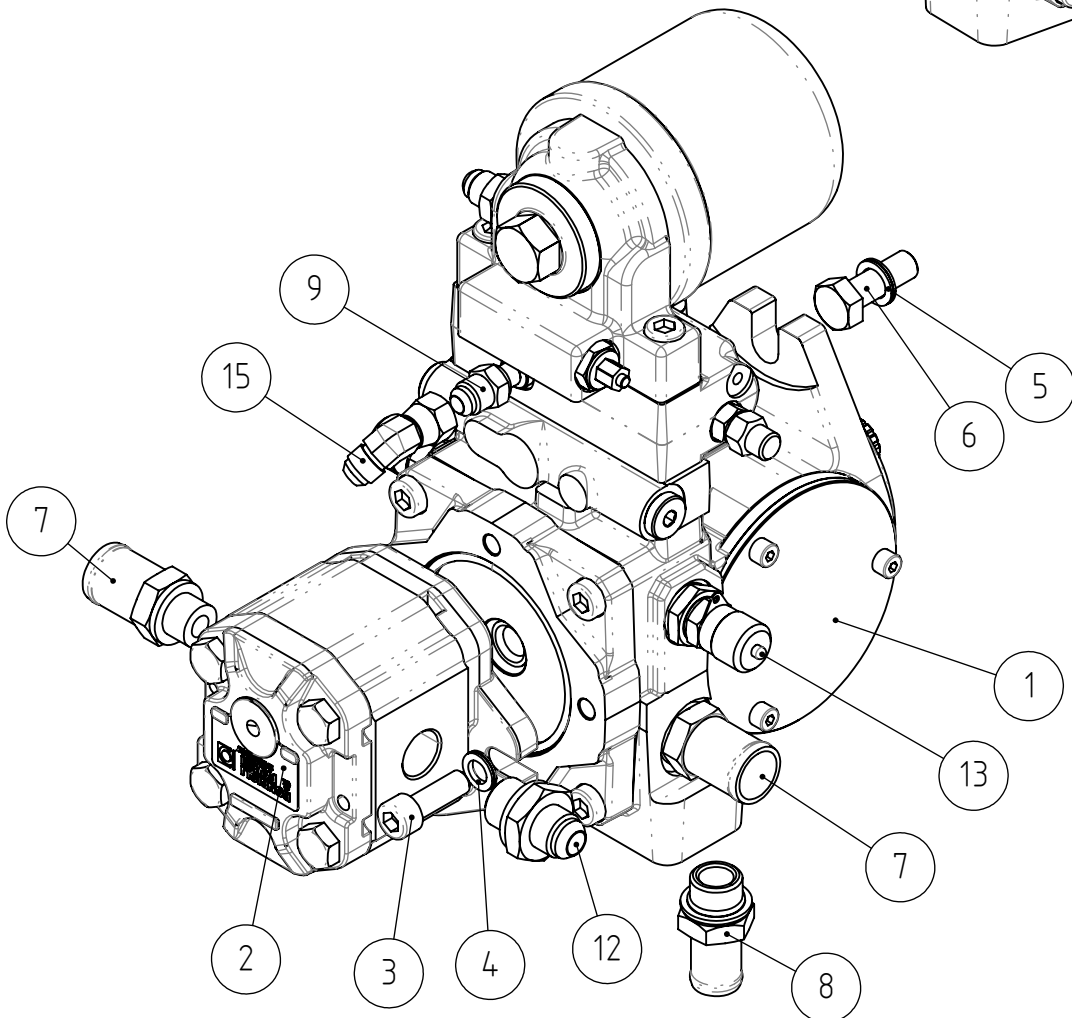
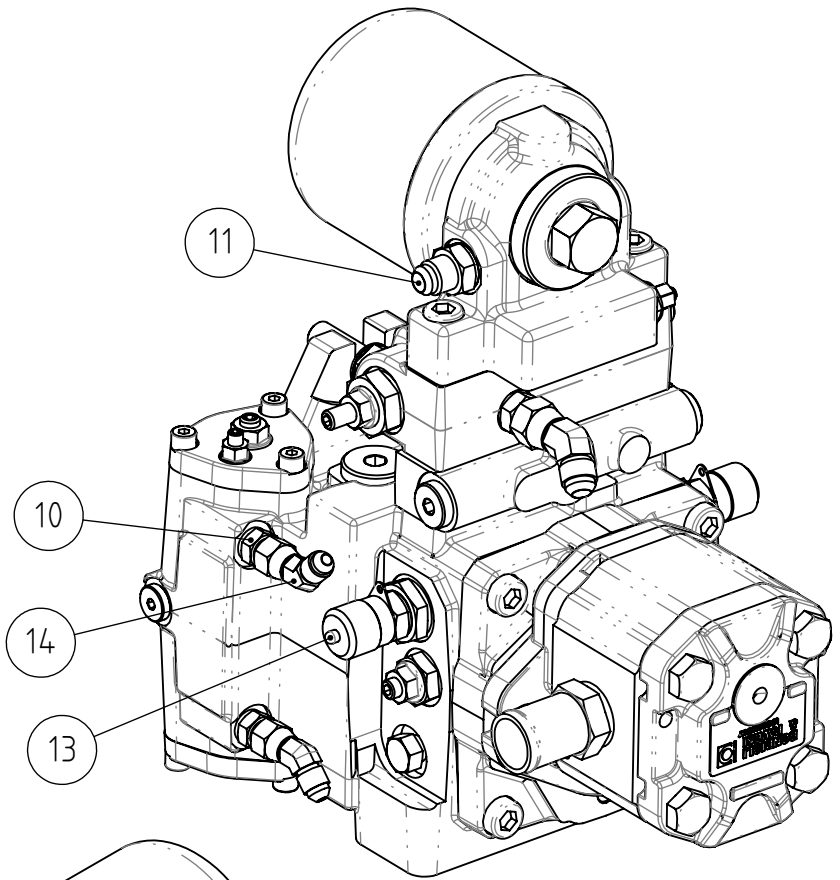
11.8.2023

A423594 RADIATOR, ASSEMBLY D1105/V1505

REF	PART NO	QTY	DESCRIPTION	NOTES	PAGE
1	A418169	1	RADIATOR 500/600 SERIES KUBOTA		-
1.1	A436407	1	CAP, RADIATOR 0.9BAR		-
2	A420011	1	WIND TUNNEL 630/635/R35		-
3	A420381	4	VIBRATION DAMPER RUBBER RADIATOR		-
4	A421175	1	RADIATOR HOSE LOWER D1105/V1505		-
5	A47758	1	RADIATOR HOSE UPPER KUBOTA V1505		-
6	73809	4	HOSE CLAMP 32-44 MM		-

11.8.2023

A37577 HYDRAULIC PUMPS ASSEMBLY



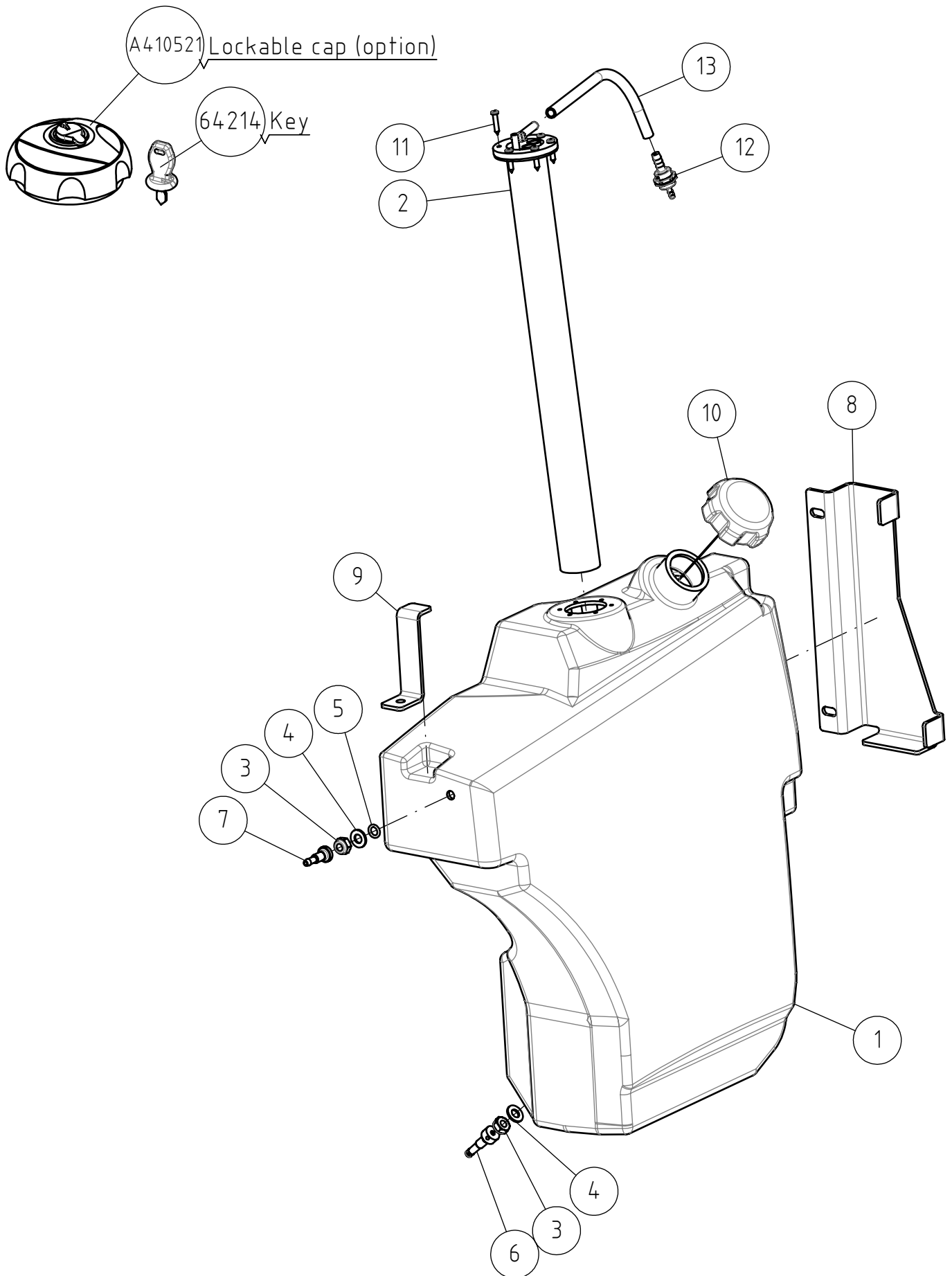
11.8.2023

A37577 HYDRAULIC PUMPS ASSEMBLY

REF	PART NO	QTY	DESCRIPTION	NOTES	PAGE
1	66425	1	VARIABLE DISPL. PUMP 528/R28 HP P2A 23		-
1.1	64807	1	PRESSURE FILTER, HYDR. B&P 539047001		-
2	65087	1	HYDRAULIC PUMP HPLPA211DSVG		-
3	74467	2	HEXAGONAL HEAD SCREW M10* 30 DIN 912		-
4	74531	2	SPACER NORDLOCK M10, PAIR		-
5	74532	2	WASHER NORDLOCK NL12		-
6	73042	2	HEX. SCREW M12*35 DIN 933 ZN		-
7	66240	2	HOSE BARB R1/2"UK-25 MM L=53,5		-
8	66428	1	HOSE BARB R1/2"UK - 20MM		-
9	64346	1	BASIC FITTING F40XS10-1/8"		-
10	64793	2	BASIC FITTING F40XS6-1/8"		-
11	64059	1	BASIC FITTING F40XS10-1/4		-
12	64058	1	BASIC FITTING F40XS12-1/2		-
13	64196	2	MANOMETER FITTING M16*2		-
14	65587	2	ELBOW FITTING 45° UNF 7/16" JIC		-
15	65201	1	ELBOW FITTING 45 DEG. V6SX10		-

11.8.2023

A413932 FUEL TANK, COMPLETE ASSEMBLY



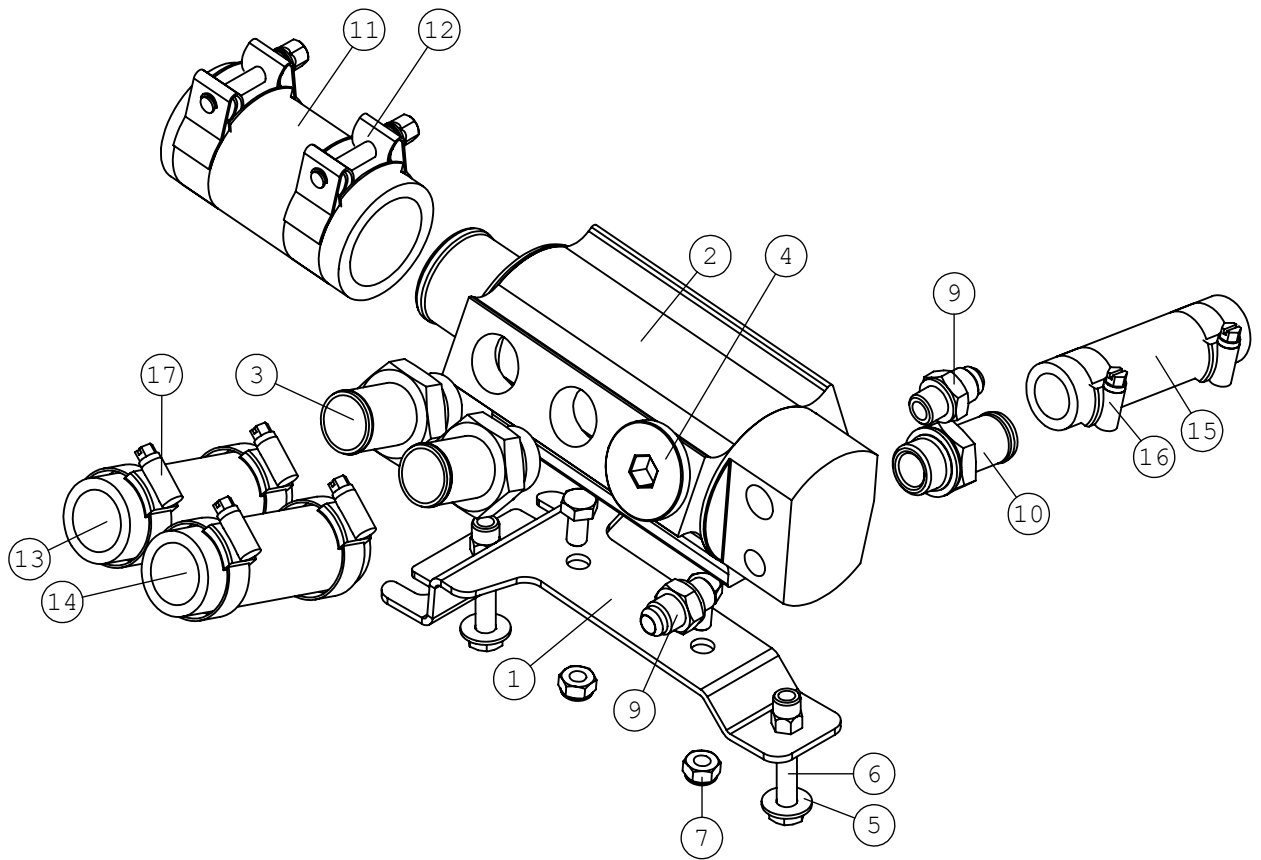
11.8.2023

A413932 FUEL TANK, COMPLETE ASSEMBLY

REF	PART NO	QTY	DESCRIPTION	NOTES	PAGE
1	A413512	1	FUEL TANK 30L, 2012-		-
2	64977	1	SENSOR, FUEL GAUGE COBO		-
2.1	A435545	1	SEAL RING FUEL SENSOR 72/48-5		-
3	72322	2	HEXAGONAL NUT M 10 NYLOC DIN 985		-
4	73121	2	WASHER M10 A10,5 DIN 125 ZN		-
5	74774	2	O-RING NBR F 10*3		-
6	A431880	1	NIPPLE 7,9MM FUEL TANK		-
7	A43531	1	NIPPLE F7MM		-
8	A413674	1	BRACKET, FUEL TANK		-
9	A47553	1	LATCH		-
10	66313	1	FUEL TANK CAP		-
11	75130	6	THREAD-FORMING SCREW M5*25		-
12	A422526	1	CHECK VALVE FUEL TANK		-
13	A422532	1	FUEL HOSE L=350		-

11.8.2023

A427551 HYDRAULIC MANIFOLD WITH HOSES 528/530



11.8.2023

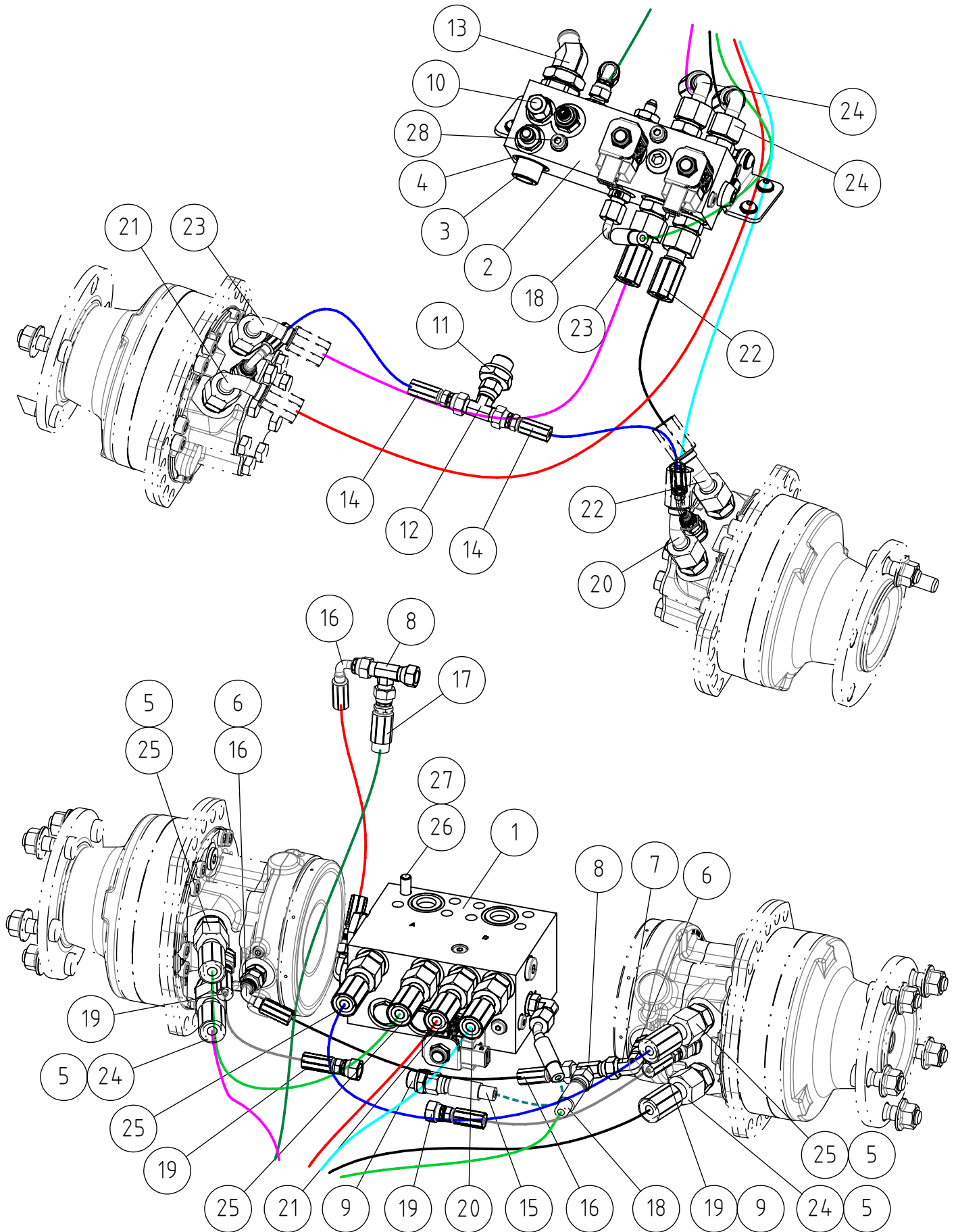
A427551 HYDRAULIC MANIFOLD WITH HOSES 528/530

REF	PART NO	QTY	DESCRIPTION	NOTES	PAGE
1	A429660	1	MOUNTING BRACKET HYDRAULIC MANIFOLD		-
2	A37587	1	HYDRAULIC MANIFOLD ASSEMBLY 400-700 SER		-
3	66107	2	HOSE BARB R3/4"UK - 25 MM L=58		-
4	73768	1	HEXAGONAL PLUG HF-3/4" WITH SEAL		-
5	74525	2	WASHER M8 8,4*20*1,25 ZN		-
6	72132	2	HEXAGONAL SCREW M 8*25 DIN 933 ZN		-
7	72320	2	HEXAGONAL NUT M8 NYLOC DIN 985		-
8	73039	2	HEXAGONAL SCREW M 8*16 DIN 933 ZN		-
9	64059	2	BASIC FITTING F40XS10-1/4		-
10	66428	1	HOSE BARB R1/2"UK - 20MM		-
11	A47695	1	INLET HOSE F53/F40 - 300		-
12	66013	2	PIPE CLAMP POWER-FLEX S-048-		-
13	A427074	1	INLET HOSE L=540 D25		-
14	A427080	1	INLET HOSE L=415 D25		-
15	A427305	1	INLET HOSE L=640 D19		-
16	73530	2	HOSE CLAMP 22-32 MM		-
17	73809	4	HOSE CLAMP 32-44 MM		-

11.8.2023

--- DKOS fittings from 2022 week 26

A451431 HYDR. HOSES DRIVE 500-600 SERIES 1-SPEED



11.8.2023

--- DKOS fittings from 2022 week 26

A451431 HYDR. HOSES DRIVE 500-600 SERIES 1-SPEED

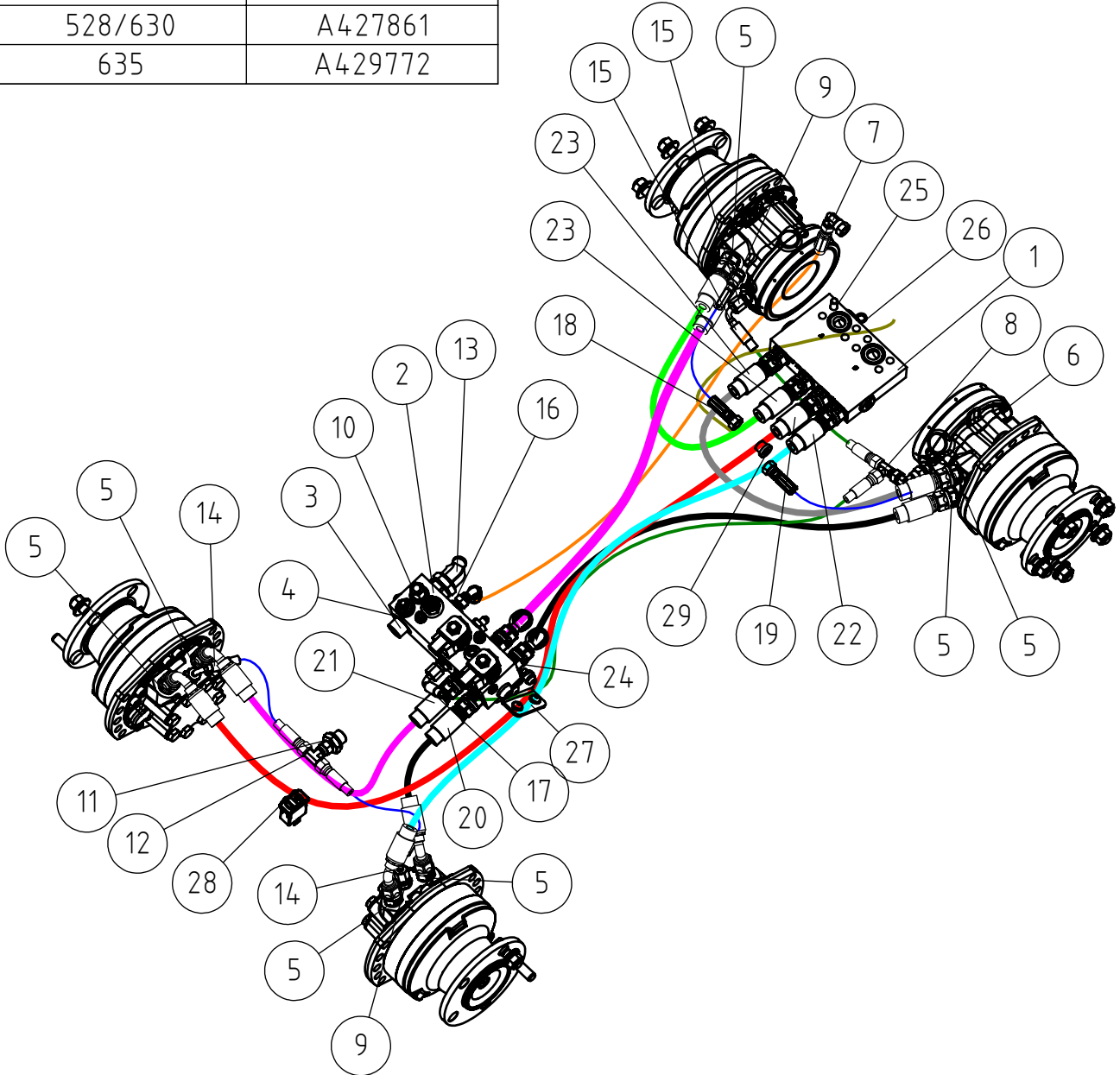
REF	PART NO	QTY	DESCRIPTION	NOTES	PAGE
1	A454024	1	HYDRAULIC MANIFOLD ANTI SLIP VALVE	DKOS fittings from 2022 week 26	58
2	A454023	1	HYDRAULIC MANIFOLD 1-SPEED DRIVE RELEASE	DKOS fittings from 2022 week 26	60
3	A421825	1	BANJO BOLT, HYDR. MANIFOLD		-
4	75112	2	O-RING NBR F 32,99*2,62 90SH		-
5	A449892	8	BASIC FITTING G1/2" M24*1,5		-
6	64059	2	BASIC FITTING F40XS10-1/4		-
7	64043	1	ELBOW FITTING 90° C6XS10		-
8	64078	2	L-FITTING BODY R6XS10		-
9	64041	5	BASIC FITTING F40XS10-3/8 /8		-
10	64232	1	FITTING HEAD FNTXS10		-
11	64040	1	BASIC FITTING F40XS10-1/2 /2		-
12	64070	1	T FITTING S6XS10		-
13	66361	1	HOSE BARB 45° R3/4"UK - 20MM		-
14	A410165	2	HYDR. HOSE L=300		-
15	A429297	1	HYDR. HOSE L=250		-
16	A410094	2	HYDR. HOSE L=350		-
17	A422996	1	HYDR. HOSE L=1130		-
18	A410093	1	HYDR. HOSE L=1200		-
19	A428535	2	HYDR. HOSE L=350		-
20	A451433	1	HYDR. HOSE L=1330		-
21	A451432	1	HYDR. HOSE L=1660		-
22	A451297	1	HYDR. HOSE L=330		-
23	A451295	1	HYDR. HOSE L=630		-
24	A451435	2	HYDR. HOSE L=1020		-
25	A451302	2	HYDR. HOSE L=620		-
26	75141	8	HEXAGONAL HEAD SCREW M10*110 DIN912 12.9		-
27	A434424	8	SAFETY WASHER M10 3/8"		-
28	A37332	1	MOUNTING PLATE HYDRAULIC MANIFOLD, ASSEM		-

11.8.2023

A431829 E03 fittings before 2022 week 26

A37575 HYDR. HOSES DRIVE CIRCUIT WITHOUT ANTI S

Hose (22)	
Loader model	Item
520/523	A433174
528/630	A427861
635	A429772



11.8.2023

A431829 E03 fittings before 2022 week 26

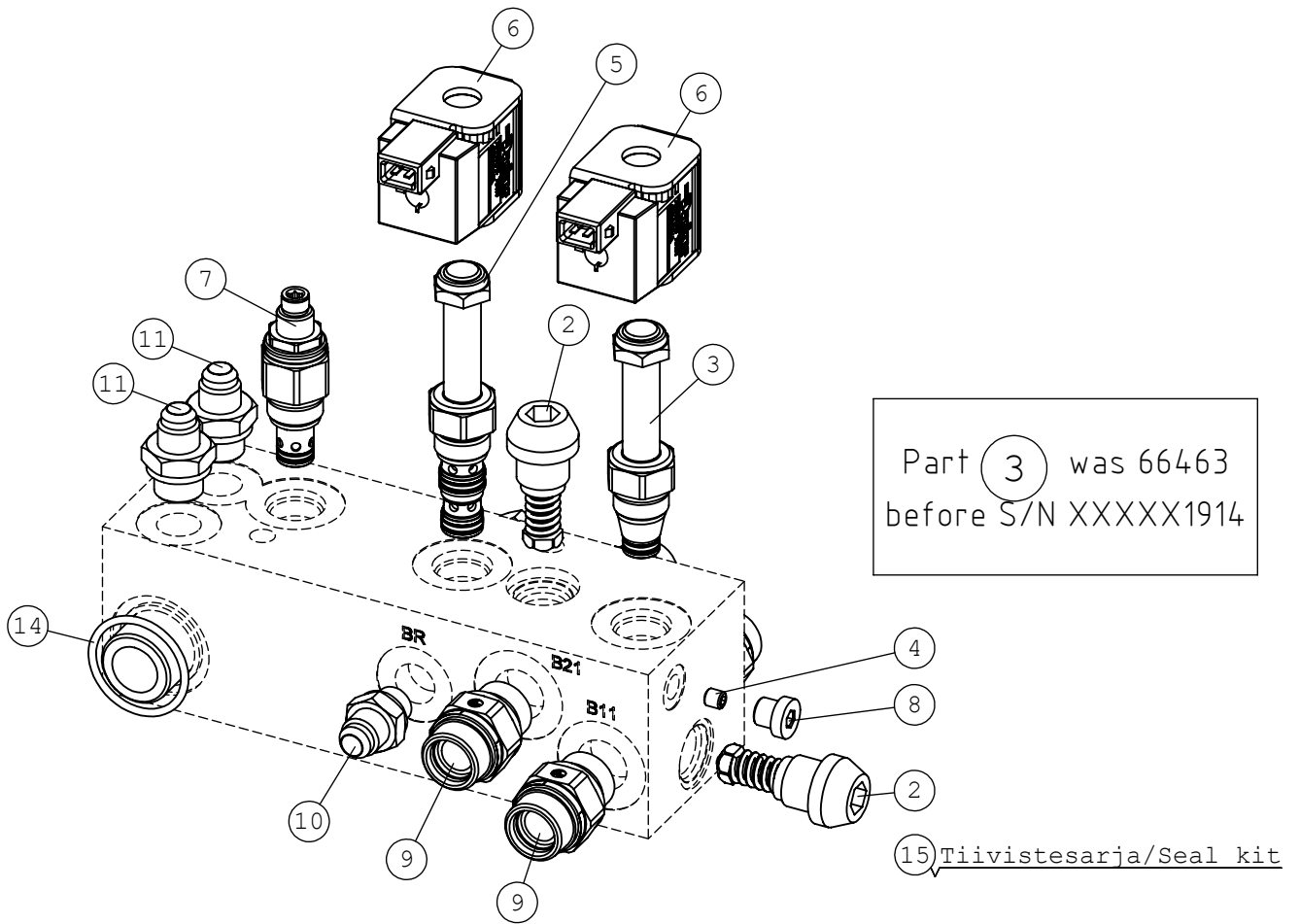
A37575 HYDR. HOSES DRIVE CIRCUIT WITHOUT ANTI S

REF	PART NO	QTY	DESCRIPTION	NOTES	PAGE
1	A421618	1	HYDRAULIC MANIFOLD, DRIVE	E03 fittings before 2022 week 26	-
2	A421616	1	HYDRAULIC MANIFOLD DRIVE RELEASE 1-SPEED	E03 fittings before 2022 week 26	56
3	A421825	1	BANJO BOLT, HYDR. MANIFOLD		-
4	75112	2	O-RING NBR F 32,99*2,62 90SH		-
5	66347	8	BASIC FITTING EO-3 R1/2" - EO3 F24 /2		-
6	64059	2	BASIC FITTING F40XS10-1/4		-
7	64043	2	ELBOW FITTING 90° C6XS10		-
8	64078	1	L-FITTING BODY R6XS10		-
9	64041	4	BASIC FITTING F40XS10-3/8 /8		-
10	64232	1	FITTING HEAD FNTXS10		-
11	64040	1	BASIC FITTING F40XS10-1/2 /2		-
12	64070	1	T FITTING S6XS10		-
13	66361	1	HOSE BARB 45° R3/4"UK - 20MM		-
14	A410165	2	HYDR. HOSE L=300		-
15	A410094	1	HYDR. HOSE L=350		-
16	A422996	1	HYDR. HOSE L=1130		-
17	A410093	1	HYDR. HOSE L=1200		-
18	A428535	2	HYDR. HOSE L=350		-
19	A421747	1	HYDR. HOSE L=1640		-
20	A421296	1	HYDR. HOSE L=300		-
21	A421955	1	HYDR. HOSE L=630		-
22	A427861	1	HYDR. HOSE L=1310		-
23	A421749	2	HYDR. HOSE L=620		-
24	A422320	2	HYDR. HOSE L=1000		-
25	75142	8	HEXAGONAL HEAD SCREW M10*50 DIN912 12.9		-
26	A434424	8	SAFETY WASHER M10 3/8"		-
27	A37332	1	MOUNTING PLATE HYDRAULIC MANIFOLD, ASSEM		-
28	A37221	1	WIRE HARNESS PARKING BRAKE/1-SPEED		-
29	74411	1	HEXAGONAL PLUG HF 3/8" HTUNG		-

11.8.2023

E03 fittings before 2022 week 26

A421616 HYDRAULIC MANIFOLD DRIVE RELEASE 1-SPEED

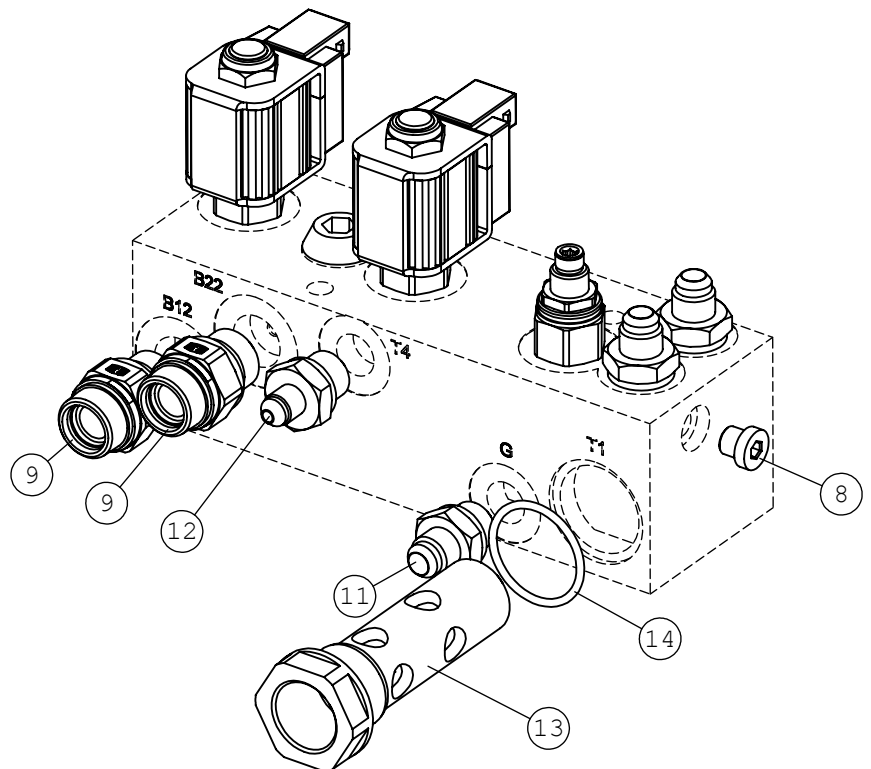


HUOM!
Nimike A421616 sisältää osat (2) - (12)

Tiivistesarja (15) sisältää osien (2), (3), (5) ja (7) tiivisteet

NOTE!
Item A421616 includes parts (2) - (12)

Seal kit (15) includes seals for parts (2), (3), (5) and (7)



11.8.2023

E03 fittings before 2022 week 26

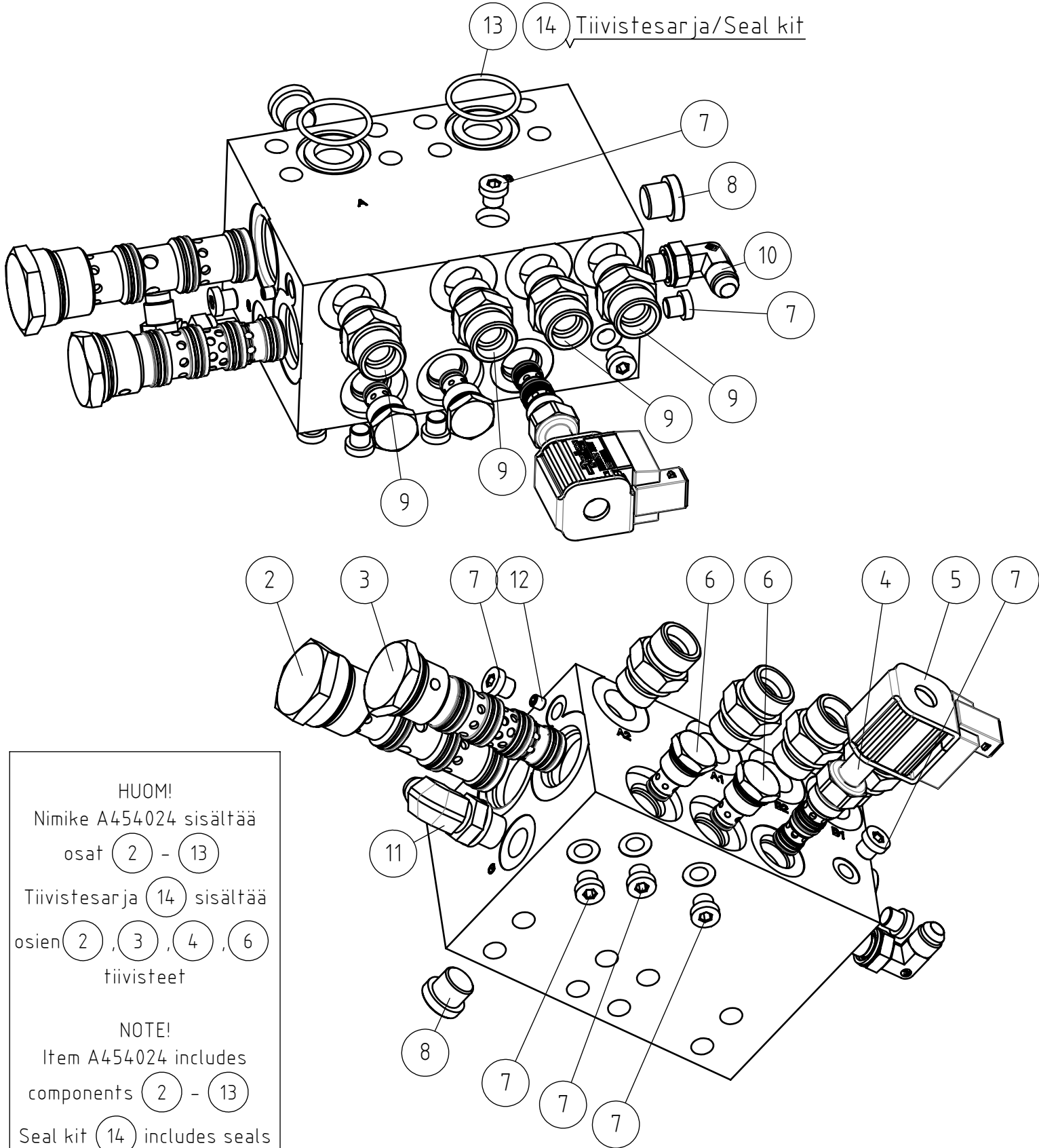
A421616 HYDRAULIC MANIFOLD DRIVE RELEASE 1-SPEED

REF	PART NO	QTY	DESCRIPTION	NOTES	PAGE
1	A421616	1	HYDRAULIC MANIFOLD DRIVE RELEASE 1-SPEED	E03 fittings before 2022 week 26	56
2	A428734	2	PRESSURE RELIEF VALVE CARTRIDGE 380BAR		-
3	A432309	1	VALVE CARTRIDGE DRIVE RELEASE OPTIDRIVE		-
4	A428738	1	FLOW RESTRICTOR M6/1,0MM		-
5	A428584	1	VALVE CARTRIDGE SPOOL VALVE 3/2		-
6	66452	2	SOLENOID 12VDC/19W		-
7	A428735	1	PRESSURE RELIEF VALVE CARTRIDGE 30BAR		-
8	64407	2	HEXAGONAL PLUG R 1/8" WITH PACKING		-
9	66347	4	BASIC FITTING EO-3 R1/2" - EO3 F24 /2		-
10	64059	1	BASIC FITTING F40XS10-1/4		-
11	64041	3	BASIC FITTING F40XS10-3/8 /8		-
12	64313	1	BASIC FITTING F40XS6-3/8"		-
13	A421825	1	BANJO BOLT, HYDR. MANIFOLD		-
14	75112	2	O-RING NBR F 32,99*2,62 90SH		-
15	A428793	1	SEAL KIT HYDRAULIC MANIFOLD A421616		-

11.8.2023

DKOS fittings from 2022 week 26

A454024 HYDRAULIC MANIFOLD ANTI SLIP VALVE



HUOM!
 Nimike A454024 sisältää osat 2 - 13
 Tiivistesarja 14 sisältää osien 2, 3, 4, 6 tiivisteet

NOTE!
 Item A454024 includes components 2 - 13
 Seal kit 14 includes seals for components 2, 3, 4, 6

11.8.2023

DKOS fittings from 2022 week 26

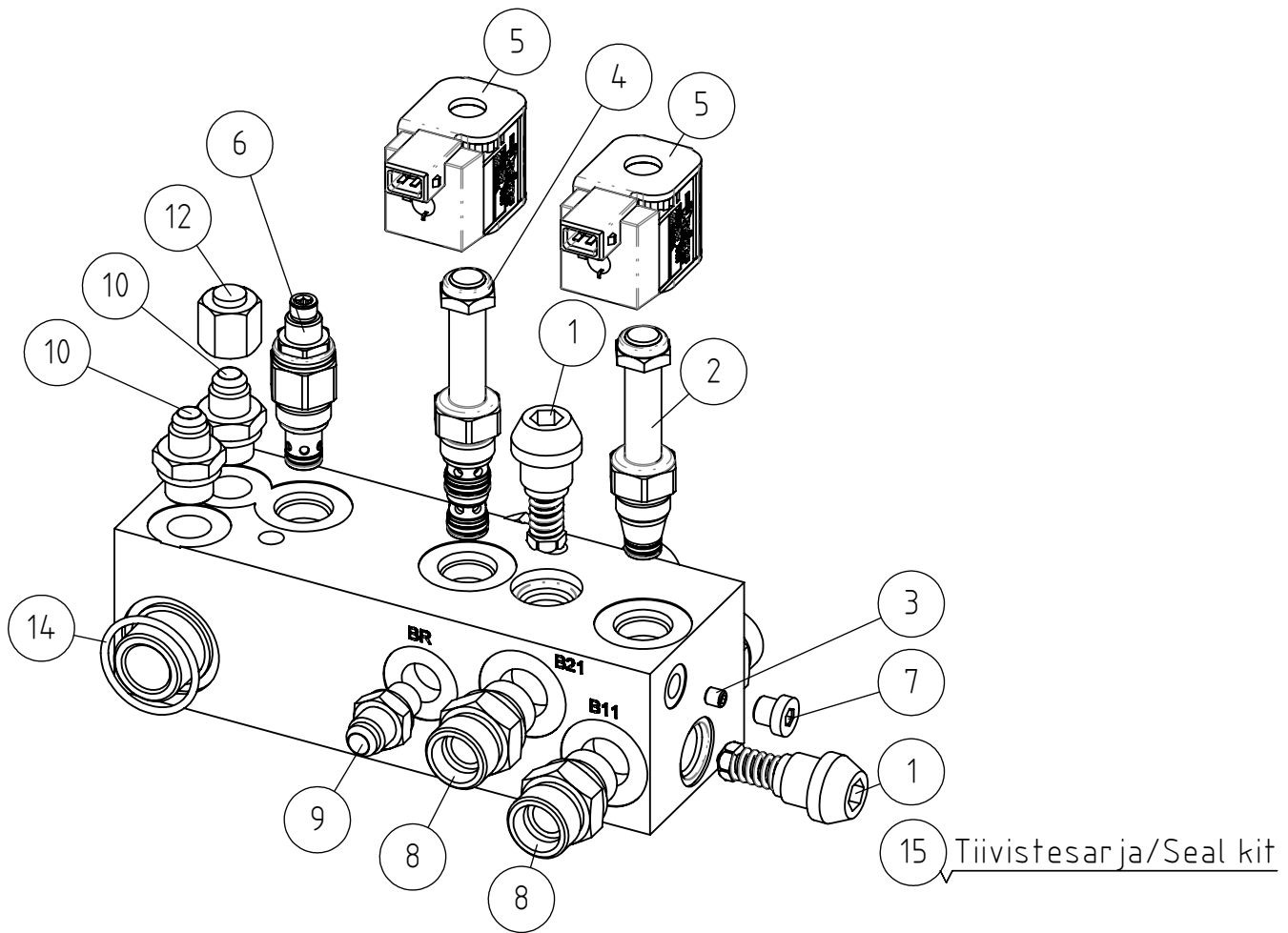
A454024 HYDRAULIC MANIFOLD ANTI SLIP VALVE

REF	PART NO	QTY	DESCRIPTION	NOTES	PAGE
1	A454024	1	HYDRAULIC MANIFOLD ANTI SLIP VALVE	DKOS fittings from 2022 week 26	58
2	A428742	1	FLOW DIVIDER VALVE CARTRIDGE 420BAR		-
3	A428740	1	DIVERTER VALVE CARTRIDGE 420BAR		-
4	A428584	1	VALVE CARTRIDGE SPOOL VALVE 3/2		-
5	66452	1	SOLENOID 12VDC/19W		-
6	A428743	2	CHECK VALVE CARTRIDGE 420BAR		-
7	64407	7	HEXAGONAL PLUG R 1/8" WITH PACKING		-
8	74411	2	HEXAGONAL PLUG HF 3/8" HTUNG		-
9	A449892	4	BASIC FITTING G1/2" M24*1,5		-
10	64087	1	ELBOW FITTING 90 DEGR. /4#		-
11	64044	1	ELBOW FITTING 90° C40XS10-3/8 /8		-
12	A428739	1	FLOW RESTRICTOR M6/0,7MM		-
13	75113	2	O-RING NBR F 31,42*2,62 90SH		-
14	A428795	1	SEAL KIT HYDRAULIC MANIFOLD A421617		-

11.8.2023

DKOS fittings from 2022 week 26

A454023 HYDRAULIC MANIFOLD 1-SPEED DRIVE RELEASE

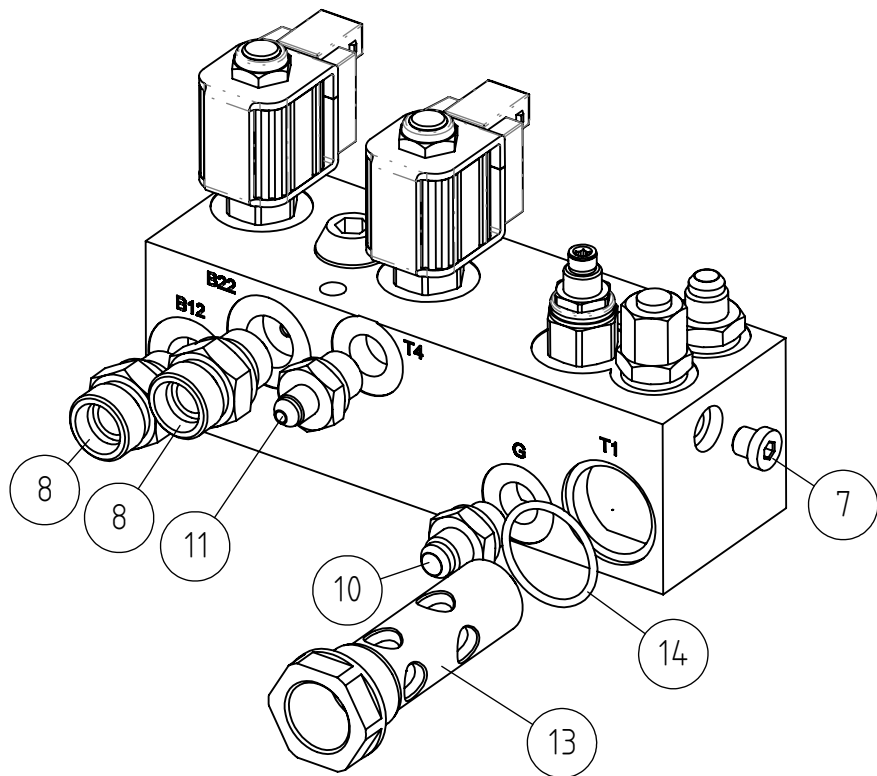


HUOM!
 Nimike A454023 sisältää
 osat (1) - (12)

Tiivistesarja (15) sisältää
 osien (1), (2), (4) ja (6)
 tiivisteet

NOTE!
 Item A454023 includes
 parts (1) - (12)

Seal kit [#error: broken link](#) includes
 seals for parts (1), (2), (4)
 and (6)



11.8.2023

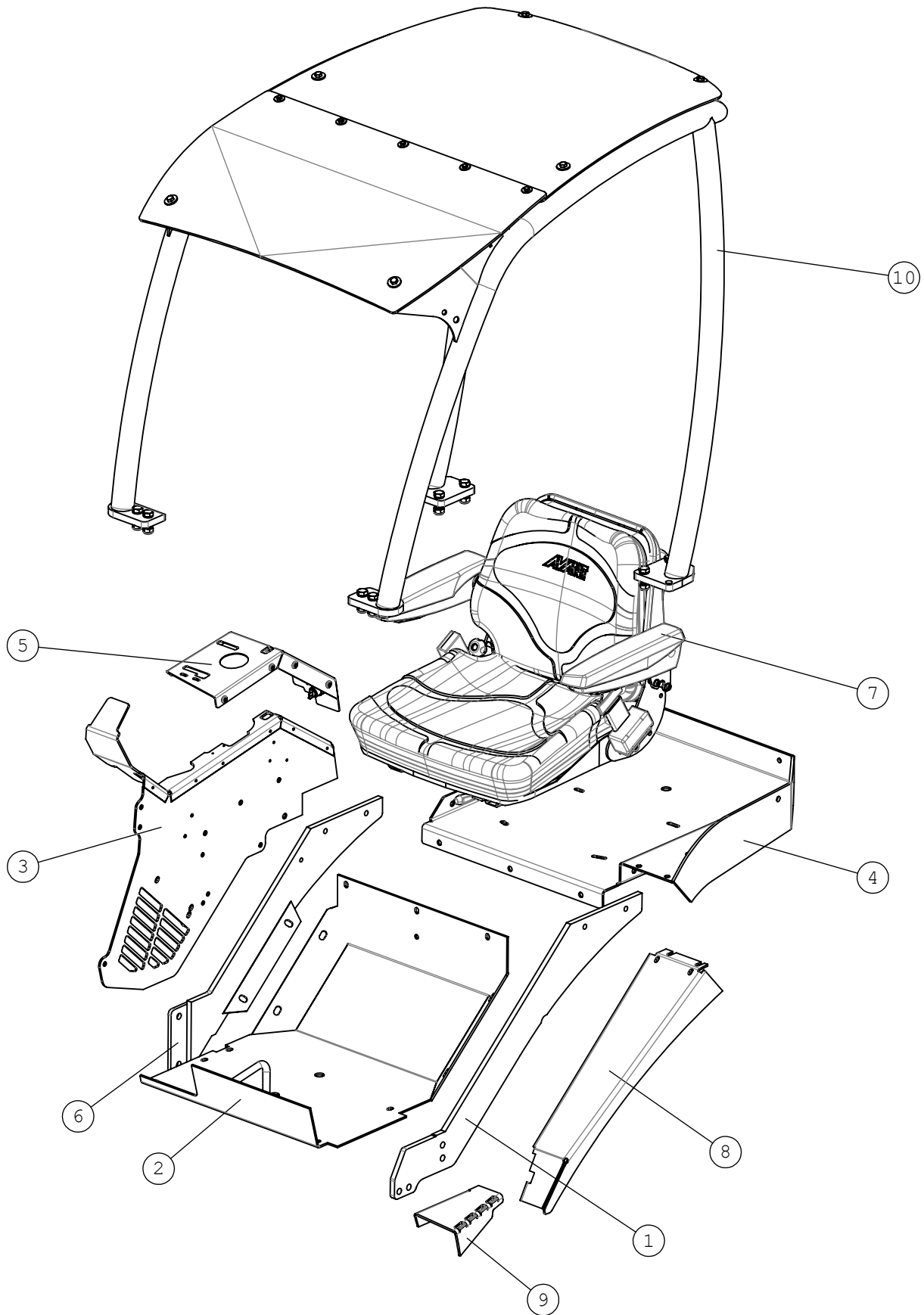
DKOS fittings from 2022 week 26

A454023 HYDRAULIC MANIFOLD 1-SPEED DRIVE RELEASE

REF	PART NO	QTY	DESCRIPTION	NOTES	PAGE
1	A428734	2	PRESSURE RELIEF VALVE CARTRIDGE 380BAR		-
2	A432309	1	VALVE CARTRIDGE DRIVE RELEASE OPTIDRIVE		-
3	A428738	1	FLOW RESTRICTOR M6/1,0MM		-
4	A428584	1	VALVE CARTRIDGE SPOOL VALVE 3/2		-
5	66452	2	SOLENOID 12VDC/19W		-
6	A428735	1	PRESSURE RELIEF VALVE CARTRIDGE 30BAR		-
7	64407	2	HEXAGONAL PLUG R 1/8" WITH PACKING		-
8	A449892	4	BASIC FITTING G1/2" M24*1,5		-
9	64059	1	BASIC FITTING F40XS10-1/4		-
10	64041	3	BASIC FITTING F40XS10-3/8 /8		-
11	64313	1	BASIC FITTING F40XS6-3/8"		-
12	64232	1	FITTING HEAD FNTXS10		-
13	A421825	1	BANJO BOLT, HYDR. MANIFOLD		-
14	75112	2	O-RING NBR F 32,99*2,62 90SH		-
15	A428793	1	SEAL KIT HYDRAULIC MANIFOLD A421616		-

11.8.2023

A21713 ROPS/FOPS FRAME COMPLETE



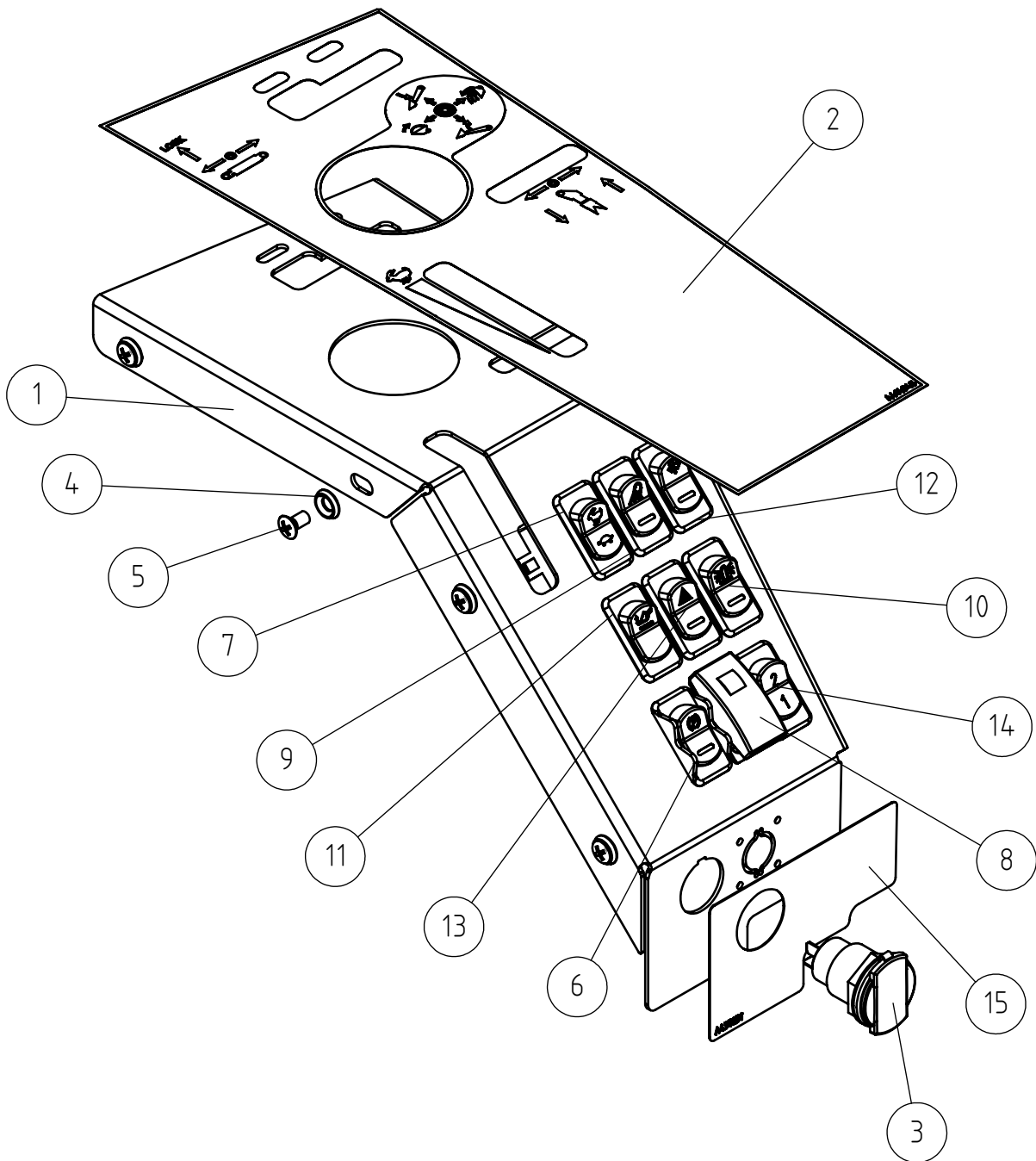
11.8.2023

A21713 ROPS/FOPS FRAME COMPLETE

REF	PART NO	QTY	DESCRIPTION	NOTES	PAGE
1	A47834	1	BAR, LEFT		-
2	A47399	1	FLOOR PLATE		-
3	A414937	1	SIDE PLATE, FRONT FRAME		-
4	A48246	1	SEAT BASE		-
5	A440098	1	INSTRUMENT PANEL WITH DECAL 500 SERIES		64
6	A47389	1	BAR, RIGHT		-
7	66180	1	SUSPENSION SEAT GREEN W. DOCBOX BELT ETC		-
7.1	A431743	1	SEAT CUSHION GREEN WITH HEATER TO SEAT		-
8	A47531	1	EDGE PLATE		-
9	A415798	1	STEP, 520-640		-
10	A48906	1	ROPS FRAME WITH FOPS CANOPY, 500 SERIES		66

11.8.2023

A440098 INSTRUMENT PANEL WITH DECAL 500 SERIES



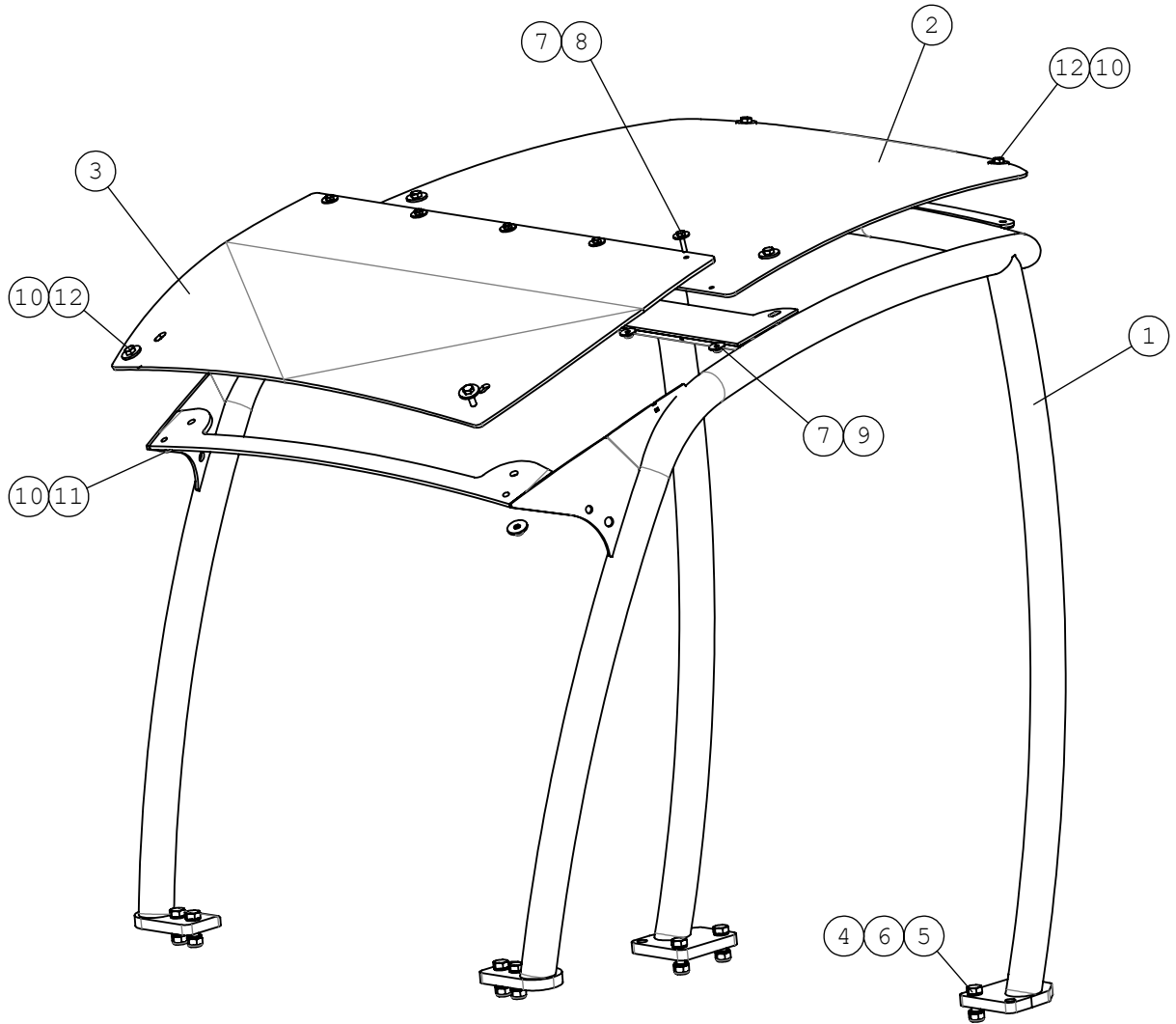
11.8.2023

A440098 INSTRUMENT PANEL WITH DECAL 500 SERIES

REF	PART NO	QTY	DESCRIPTION	NOTES	PAGE
1	A437478	1	INSTRUMENT PANEL WITH MOUNTING BRACKET		-
2	A414945	1	DECAL, CONTROL LEVERS, 520-528		-
3	A436424	1	OUTLET 12V/20A WITH COVER		-
4	74768	4	WASHER CONICAL M6		-
5	75162	4	CROSS HEAD COUNTERS SCREW M6*12		-
6	65216	1	SWITCH, PARKING BRAKE		-
7	65246	1	SWITCH, DRIVE SPEED AREA, 750		-
8	A430996	1	CONTROL SWITCH, HYDR ATTACHMENT COUPLING		-
9	65066	1	SWITCH, WORK LIGHT		-
10	65065	1	SWITCH, BEACON		-
11	A437190	1	SWITCH SMOOTH DRIVE		-
12	65063	1	SWITCH, WIPER/WASHER		-
13	65064	1	SWITCH, WARNING BLINKER		-
14	65276	1	ROCKER SWITCH, REAR AUXILIARY HYDRAULICS		-
15	A437251	1	DECAL COVER CONTROL PANEL 500-800 ROPS		-

11.8.2023

A48906 ROPS FRAME WITH FOPS CANOPY, 500 SERIES



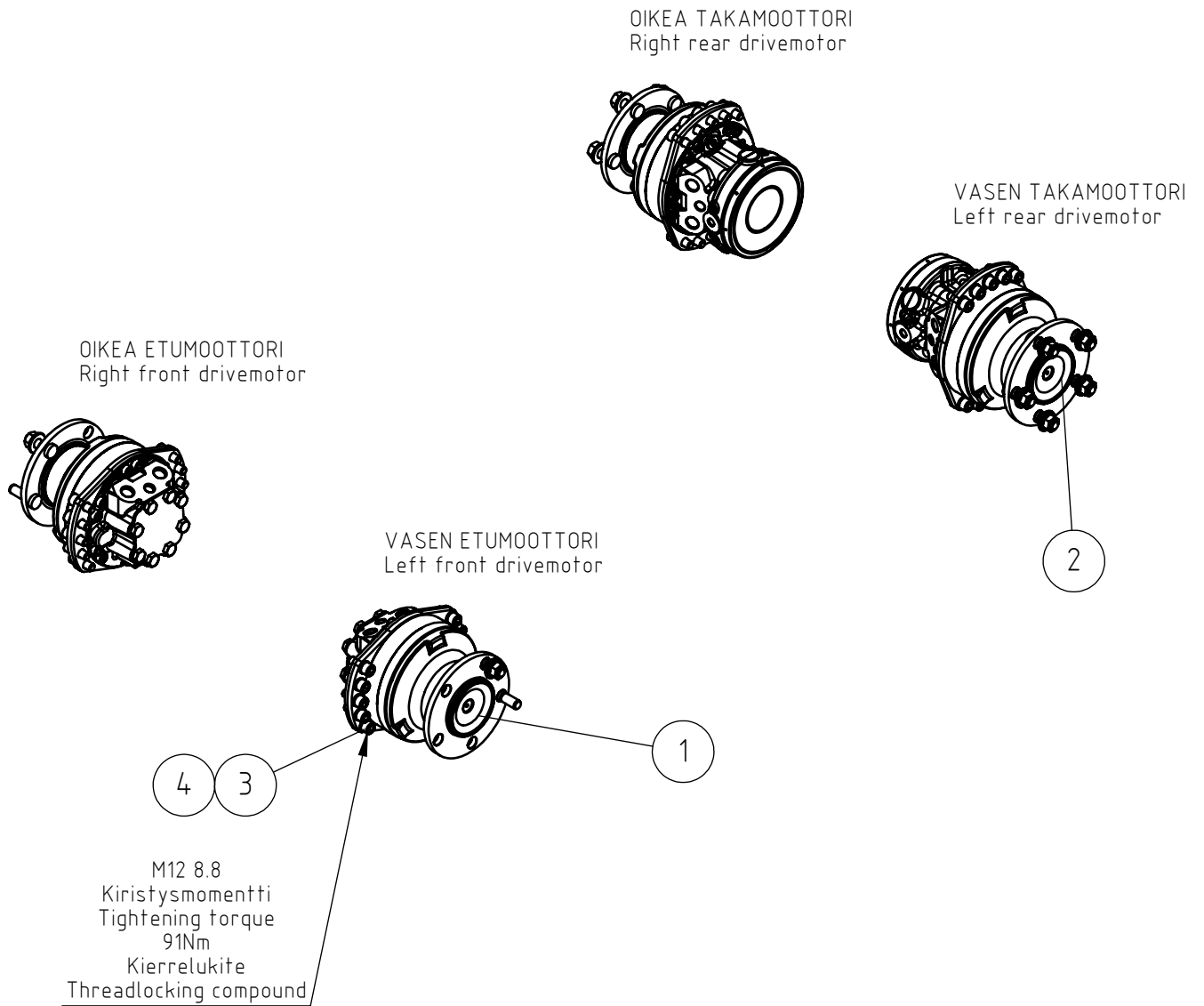
11.8.2023

A48906 ROPS FRAME WITH FOPS CANOPY, 500 SERIES

REF	PART NO	QTY	DESCRIPTION	NOTES	PAGE
1	A33900	1	ROPS FRAME 1040 MM 500 SERIES		-
2	A48905	1	FOPS CANOPY PLATE 500/600/700		-
3	A48909	1	CANOPY, SHORT, POLYCARBONATE (WITH FOPS)		-
4	74532	16	WASHER NORDLOCK NL12		-
5	73322	8	HEXAGONAL SCREW M12*40 DIN 931		-
6	72324	8	HEXAGONAL NUT M 12 NYLOC DIN 985		-
7	71681	10	WASHER M6 DIN 440		-
8	72119	5	HEXAGONAL SCREW M6*25 DIN 933 ZN		-
9	72318	5	HEXAGONAL NUT M 6 DIN 985 NYLOC		-
10	71685	12	WASHER M8 R9 DIN 440 ZN		-
11	72320	6	HEXAGONAL NUT M8 NYLOC DIN 985		-
12	72132	6	HEXAGONAL SCREW M 8*25 DIN 933 ZN		-

11.8.2023

A445134 HYDRAULIC MOTOR ASSEMBLY 364 CCM POCLAIN



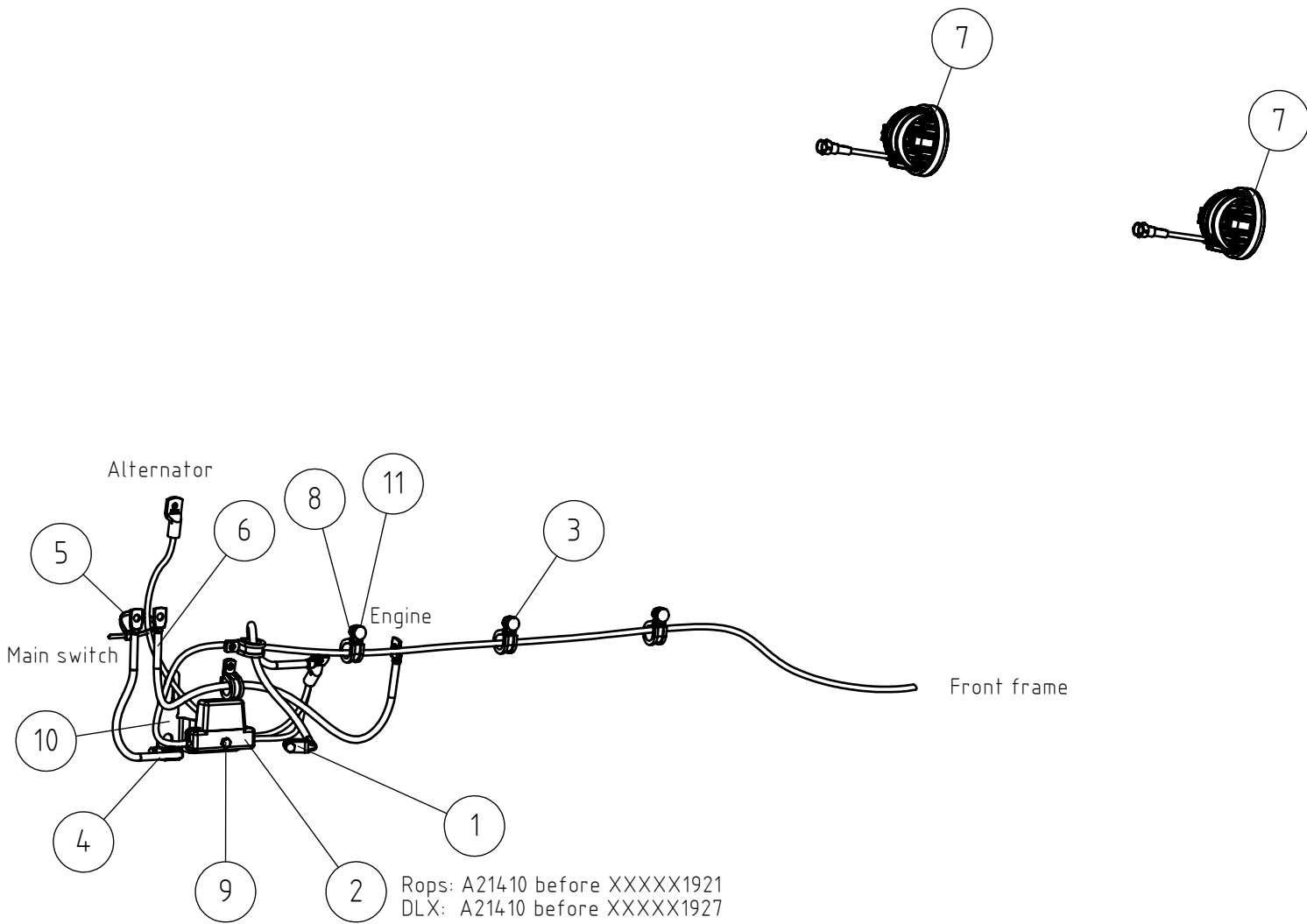
11.8.2023

A445134 HYDRAULIC MOTOR ASSEMBLY 364 CCM POCLAIN

REF	PART NO	QTY	DESCRIPTION	NOTES	PAGE
1	66011	2	HYDRAULIC MOTOR MSE02 364CCM		-
2	66012	2	HYDRAULIC MOTOR B MSE02 364CCM, W. BRAKE		-
3	74846	40	HEXAGONAL HEAD SCREW M12*30 DIN912		-
4	74532	40	WASHER NORDLOCK NL12		-

11.8.2023

A428574 ELECTRICS ASSEMBLY 528/530/600 OPTIDRI



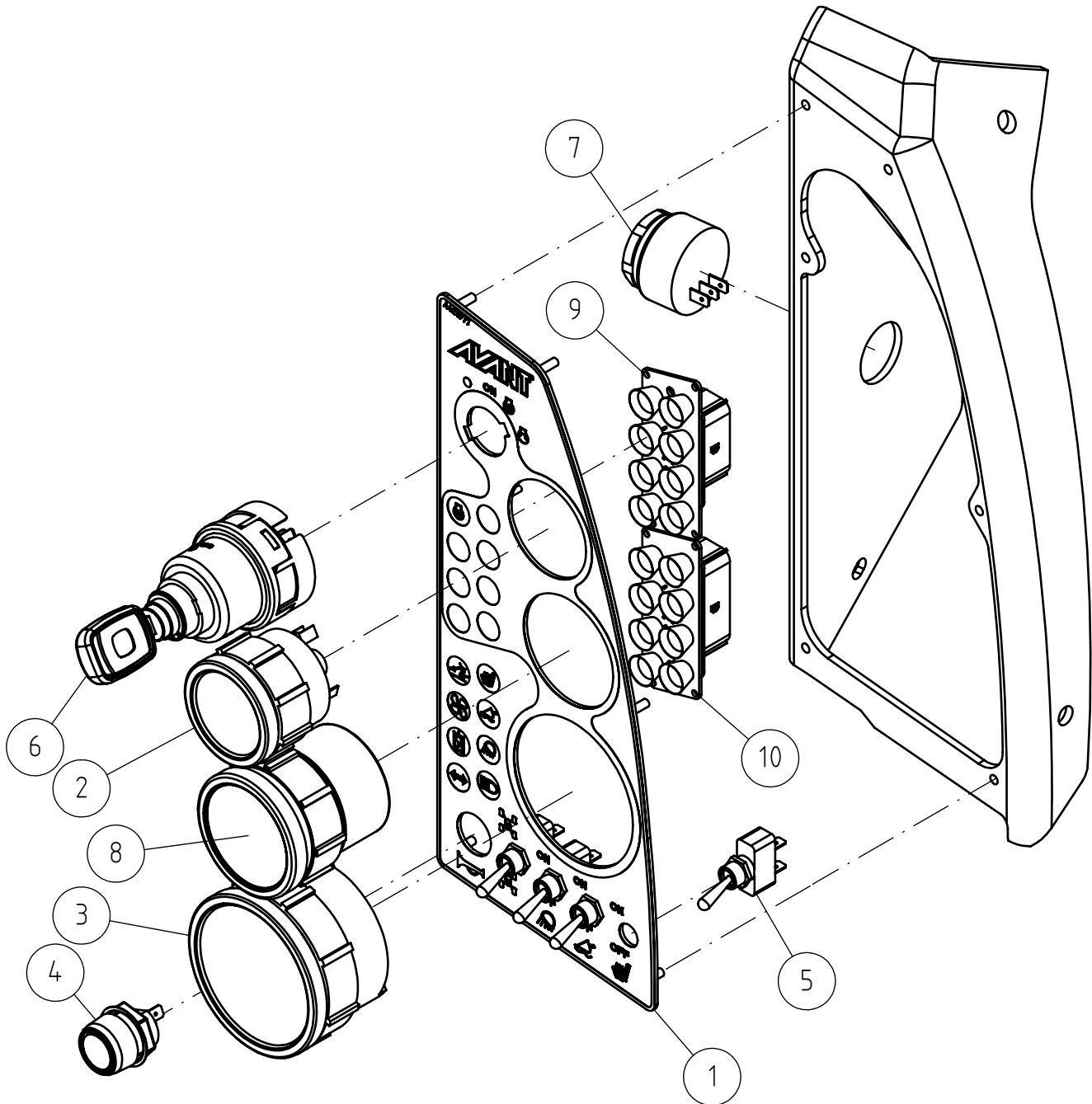
11.8.2023

A428574 ELECTRICS ASSEMBLY 528/530/600 OPTIDRI

REF	PART NO	QTY	DESCRIPTION	NOTES	PAGE
1	65070	1	CABLE, BATTERY, RED, L=400		-
2*	A21719	1	WIRE HARNESS 500-700 SERIES	From XXXXX1927	-
2**	A21410	1	WIRE HARNESS, 400-700 SERIES	Before XXXXX1927	-
3	74572	5	PIPE CLAMP F19 MM		-
4	65071	1	CABLE, BATTERY, BLACK, L=280		-
5	74548	1	CABLE TIE 4,8*186 BLACK		-
6	A420907	1	BATTERY CABLE, BLACK, L=650		-
7	66266	2	WORK LIGHT LED 1000 LUMEN 12V/8W		-
8	74781	4	HEXAGONAL NUT M6 WITH FLANGE		-
9	74497	1	HEXAGONAL SCREW M6* 40 DIN 931		-
10	A425379	1	MOUNTING BRACKET MAIN FUSE		-
11	74913	3	CARRIAGE BOLT M6*20 DIN603		-

11.8.2023

A423593 DASHBOARD ASSEMBLY



11.8.2023

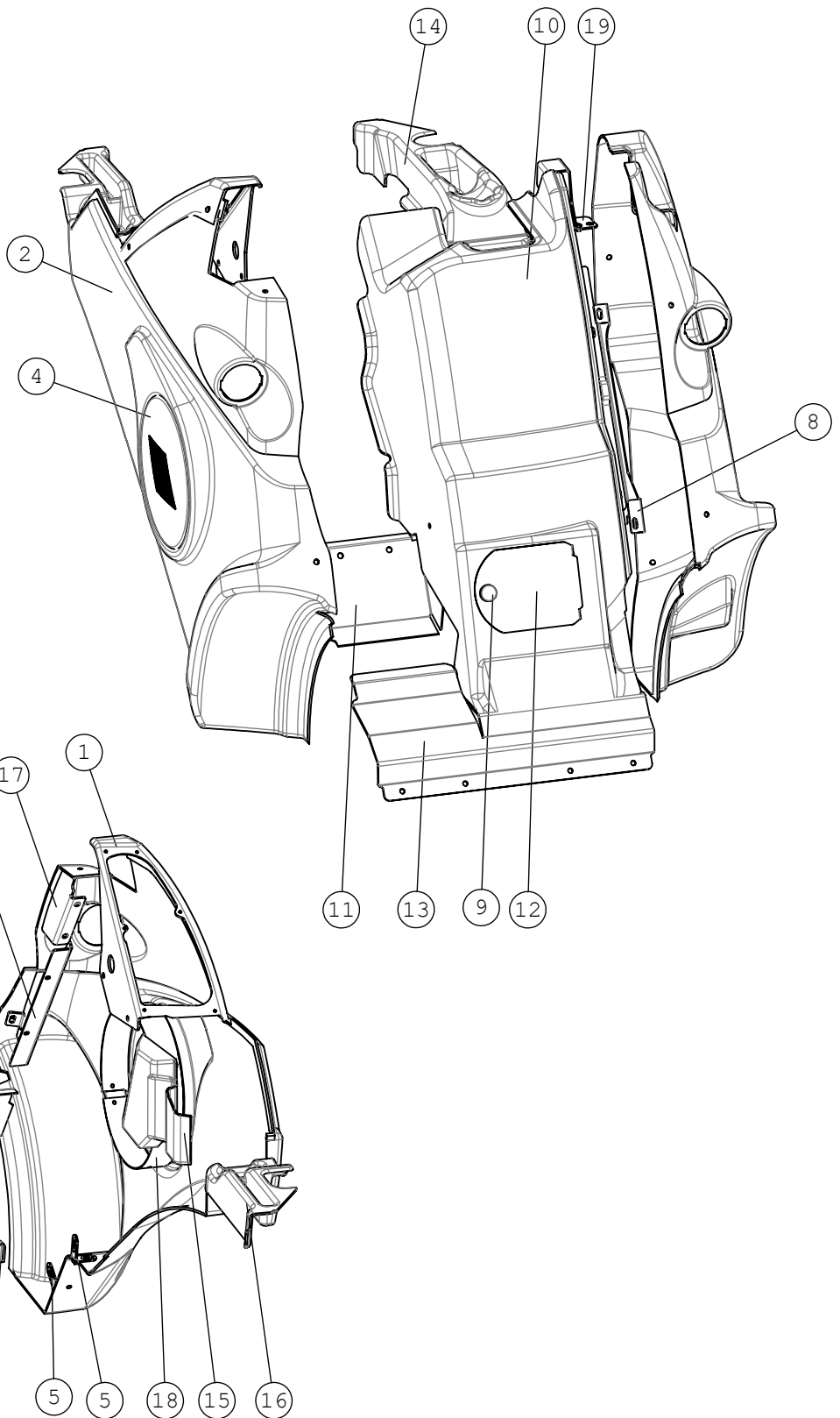
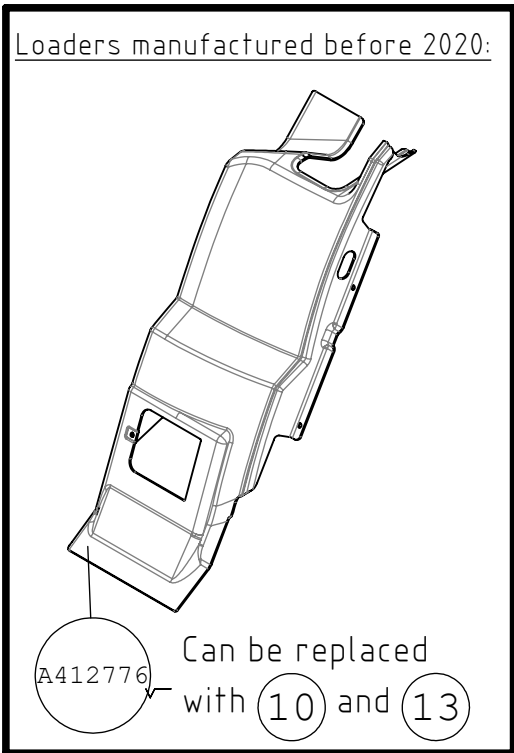
A423593 DASHBOARD ASSEMBLY

REF	PART NO	QTY	DESCRIPTION	NOTES	PAGE
1	A423592	1	MOUNTING PLATE INDICATORS&GAUGES WITH OI		-
2	65122	1	FUEL GAUGE		-
3	65123	1	HOUR METER/TACHOMETER 500/600 SERIES		-
4	64074	1	PUSH BUTTON F22,5 SIGNAL HORN		-
5	64602	4	ROCKER SWITCH ON-OFF 2-POLE 250VAC/10A		-
6	66156	1	IGNITION SWITCH 12V/30A/60A IP65 COBO		-
6.1	64214	1	IGNITION KEY		-
7	A440326	1	ALARM BEEPER D28,5/D45 -H47		-
8	A430775	1	THERMOMETER WATER/HYDRAULIC OIL		-
9	A425304	1	INDICATOR LIGHTS DIESEL ENGINE KOHLER		-
10	A425315	1	INDICATOR LIGHTS E SERIES		-

11.8.2023

ABS, ROPS

A35734 COVER PLATES, FRONT, KIT, 500/600



3 Huom! Jos kuormaaja on varustettu L-ohjaamolla (A21592), käytä A416315
 Note! If loader is equipped with L cabin (A21592), use A416315

11.8.2023

ABS, ROPS

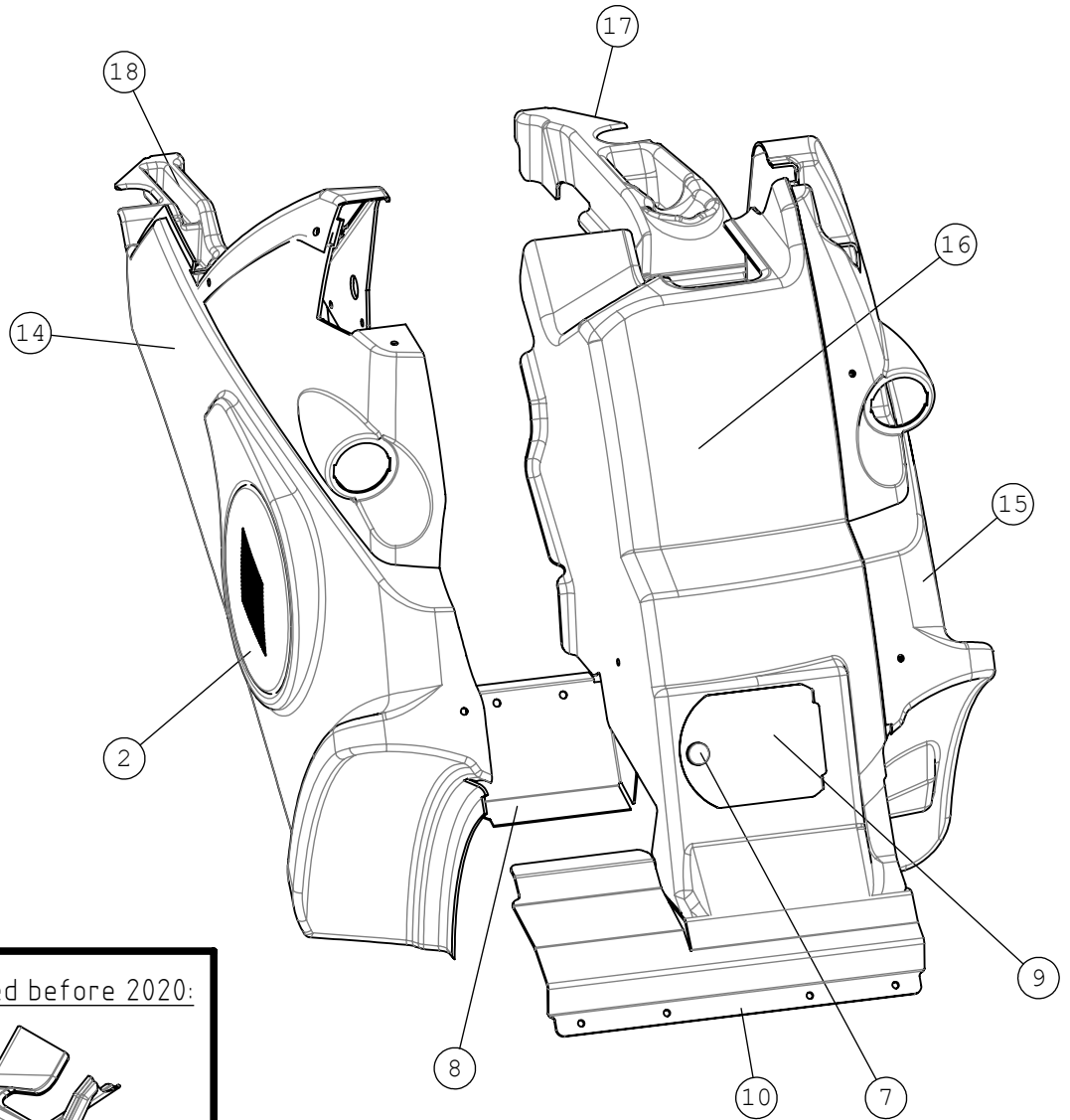
A35734 COVER PLATES, FRONT, KIT, 500/600

REF	PART NO	QTY	DESCRIPTION	NOTES	PAGE
1	A47719	1	PANEL, ABS		-
2	A415754	1	COVER PLATE, FRONT RIGHT, 500/600		-
3	A415759	1	COVER PLATE, FRONT LEFT, 500/600		-
4	A412791	1	NET		-
5	A47756	3	ANGLE BRACKET 90°		-
6	A47677	1	BRACKET 110 DEGR, 600 SERIES COVER PLATE		-
7	A415764	1	BRACKET, FRONT RIGHT, COVER PLATE		-
8	A415765	1	BRACKET, FRONT LEFT, COVER PLATE		-
9	64941	1	FINGER SCREW M6*20 R3015RM620S		-
10	A412817	1	COVER PLATE, CENTER		-
11	A47656	1	COVER		-
12	A48000	1	LID		-
13	A435254	1	COVER DRIVE MOTORS FRONT		-
14	A434360	1	CUP HOLDER, LEFT		-
15	A48251	1	PEN HOLDER		-
16	A431510	1	CUP HOLDER, RIGHT		-
17	A414801	1	EDGE PLATE		-
18	A416174	1	RING, SHORT		-
19	A416780	1	COVER PLATE, OPENING ROPS FRAME		-

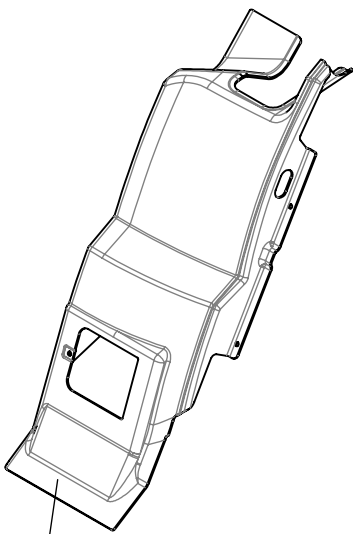
11.8.2023

PC/HD, optional extra

A35953 COVER PLATES HD, KIT, FRONT FRAME 500-600



Loaders manufactured before 2020:



A415523 Can be replaced with 16 and 10

11.8.2023

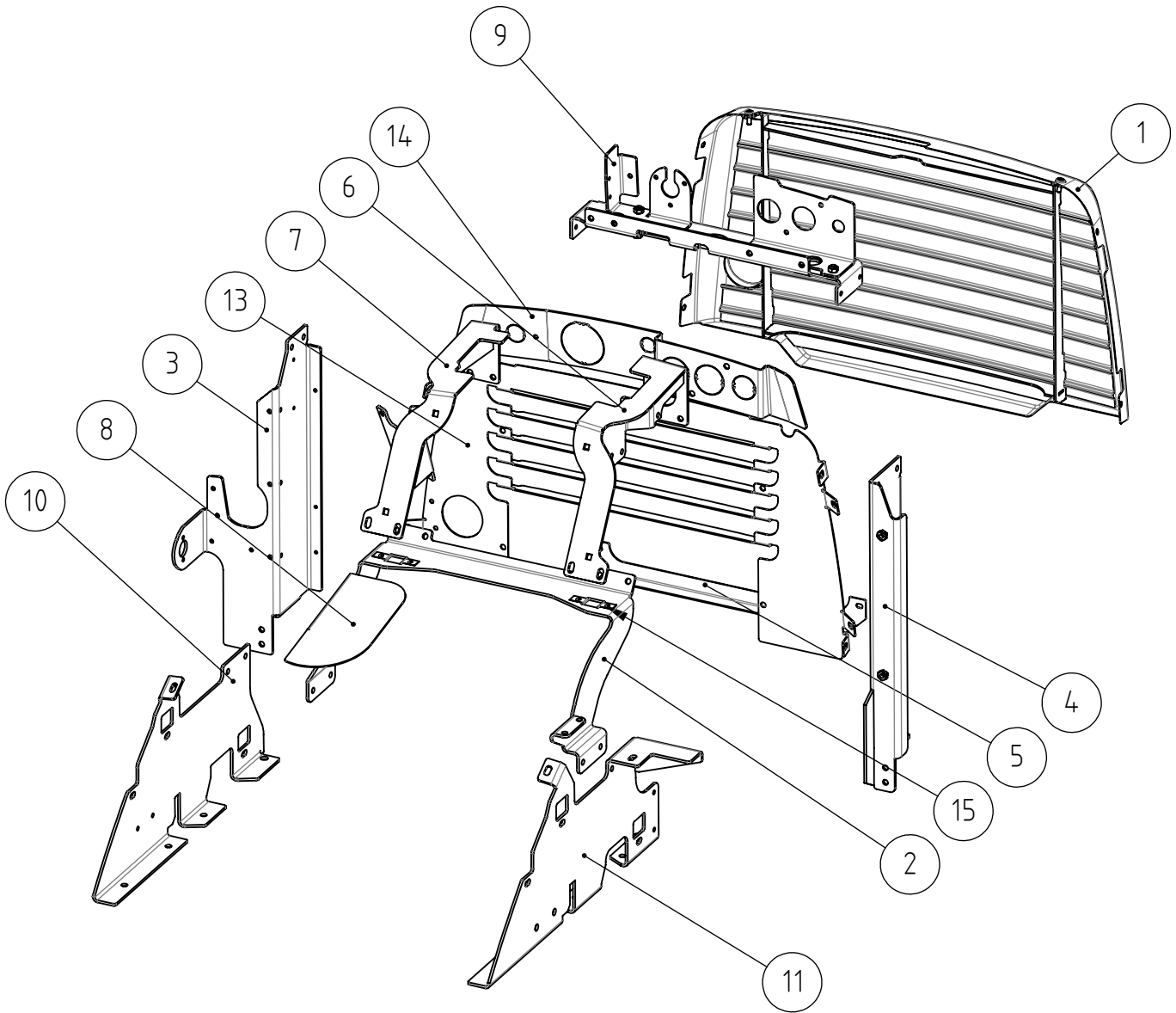
PC/HD, optional extra

A35953 COVER PLATES HD, KIT, FRONT FRAME 500-600

REF	PART NO	QTY	DESCRIPTION	NOTES	PAGE
1	A47719	1	PANEL, ABS		-
2	A412791	1	NET		-
3	A47756	3	ANGLE BRACKET 90°		-
4	A47677	1	BRACKET 110 DEGR, 600 SERIES COVER PLATE		-
5	A415764	1	BRACKET, FRONT RIGHT, COVER PLATE		-
6	A415765	1	BRACKET, FRONT LEFT, COVER PLATE		-
7	64941	1	FINGER SCREW M6*20 R3015RM620S		-
8	A47656	1	COVER		-
9	A48000	1	LID		-
10	A435254	1	COVER DRIVE MOTORS FRONT		-
11	A48251	1	PEN HOLDER		-
12	A414801	1	EDGE PLATE		-
13	A416174	1	RING, SHORT		-
14	A416206	1	COVER PLATE HD POLYCARB FRONT RIGHT		-
15	A416212	1	COVER PLATE, HD, FRONT LEFT, 500/600		-
16	A415532	1	COVER PLATE HD POLYCARB FRONT CENTER		-
17	A434360	1	CUP HOLDER, LEFT		-
18	A431510	1	CUP HOLDER, RIGHT		-

11.8.2023

A35958 MOUNTING BRACKETS, COVER PLATES, REAR



11.8.2023

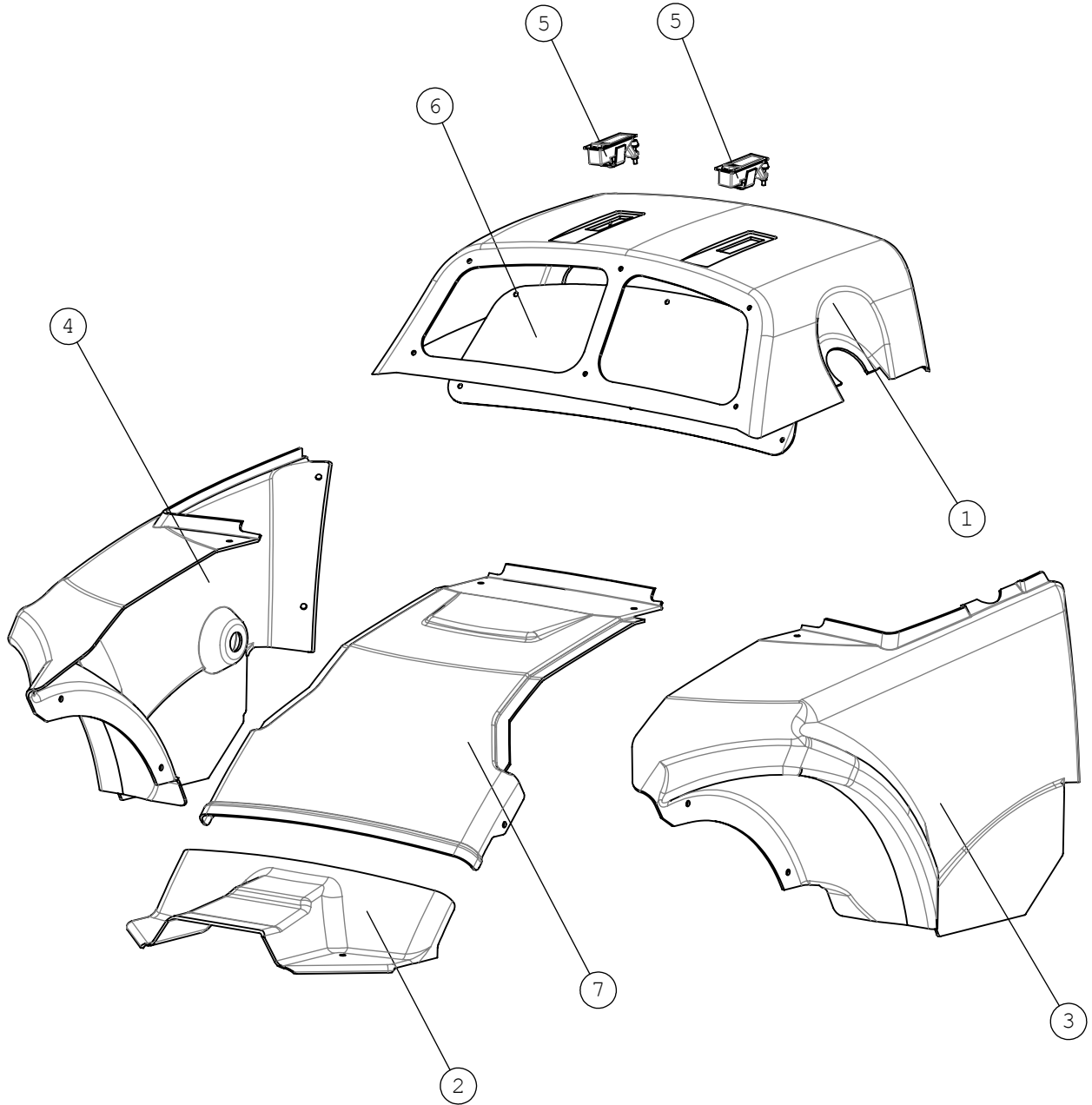
A35958 MOUNTING BRACKETS, COVER PLATES, REAR

REF	PART NO	QTY	DESCRIPTION	NOTES	PAGE
1	A413928	1	REAR GRILLE		-
2	A413485	1	BRACKET		-
3	A413720	1	BEAM, VERTICAL, RIGHT		-
4	A413940	1	BEAM, VERTICAL, LEFT		-
5	A413826	1	EDGE PLATE, LOWER		-
6	A413954	1	CONNECTING BEAM, LEFT		-
7	A413955	1	CONNECTING BEAM, RIGHT		-
8	A413871	1	HEAT SHIELD		-
9	A414512	1	UPPER BEAM		-
10	A415032	1	BRACKET, RIGHT SIDE		-
11	A414849	1	BRACKET, LEFT SIDE		-
12*	A35304	1	COVER PLATES, REAR, NO MUDGUARDS	ABS	80
12**	A35237	1	COVER PLATES, REAR, WITH MUDGUARDS	ABS, mudguards, optional extra	82
12***	A35659	1	COVER PLATES HD, REAR, 528-635 NO MUDGUA	PC/HD, optional extra	84
12****	A35660	1	COVER PLATES HD, REAR, 528-635 W MUDGUAR	PC/HD, mudguards, optional extra	86
13	A36682	1	MOUNTING PLATE REAR COVER PLATES		-
14	A413975	1	REAR PANEL		-
15	74807	4	SPEED NUT M6, FOR 0.5-4.0 MM PLATE		-

11.8.2023

ABS

A35304 COVER PLATES, REAR, NO MUDGUADRS



11.8.2023

ABS

A35304 COVER PLATES, REAR, NO MUDGUADRS

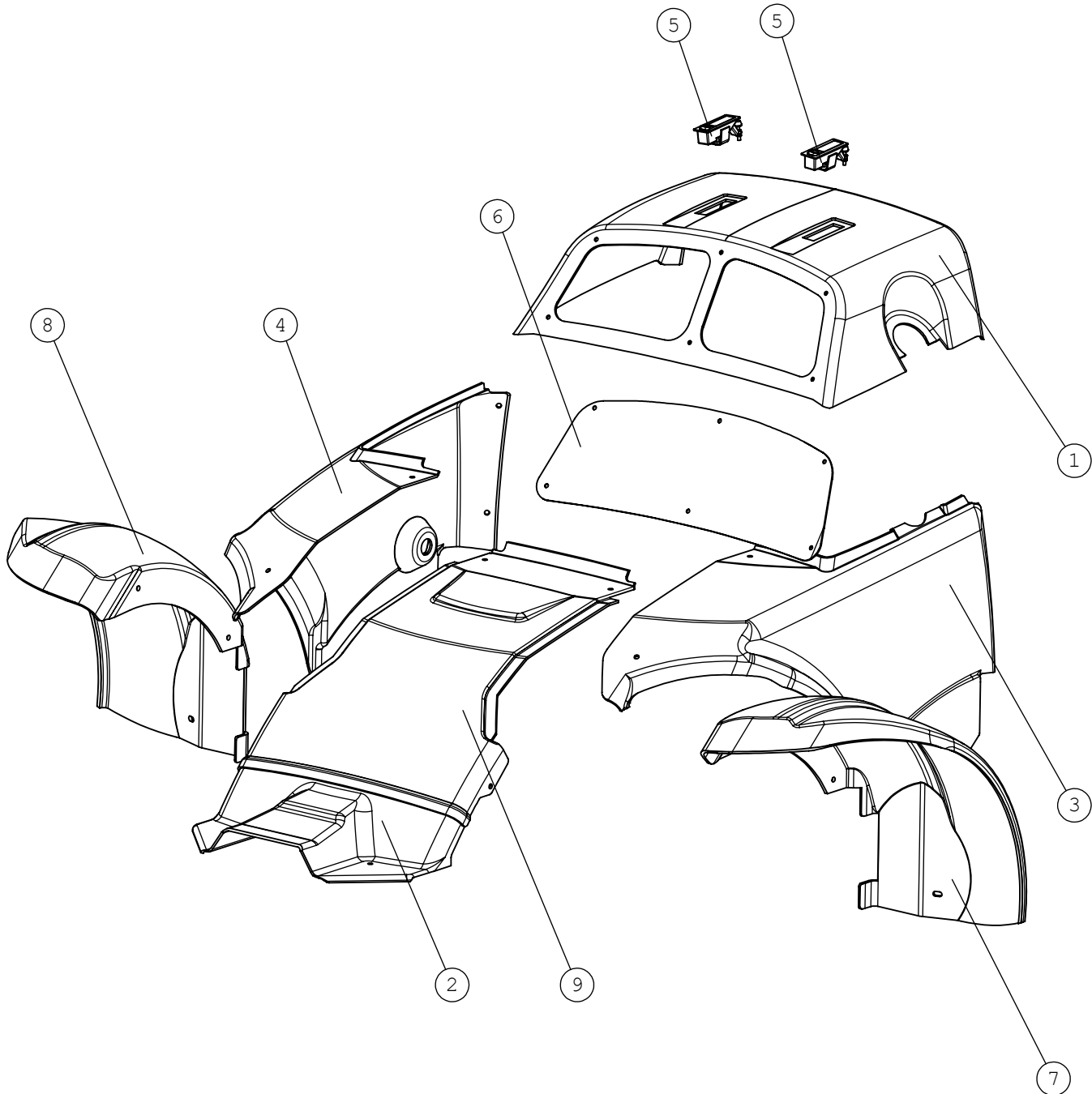
REF	PART NO	QTY	DESCRIPTION	NOTES	PAGE
1	A413841	1	COVER PLATE, ENGINE, 528/600, MODEL 2012		-
2	A413859	1	COVER PLATE,CENTER, 528/600 2012-		-
3	A413851	1	COVER PLATE, REAR, LEFT, 528/600 2012-		-
4	A413888	1	COVER PLATE REAR RIGHT, 528/600 2012-		-
5	65085	2	LATCH		-
6	A413916	1	NET		-
7	A414701	1	COVER PLATE, REAR, CENTER, UPPER		-

11.8.2023

ABS, mudguards, optional extra

A35237 COVER PLATES, REAR, WITH MUDGUARDS

Alkaen/From/Från/Von xxxxx1210-



11.8.2023

ABS, mudguards, optional extra

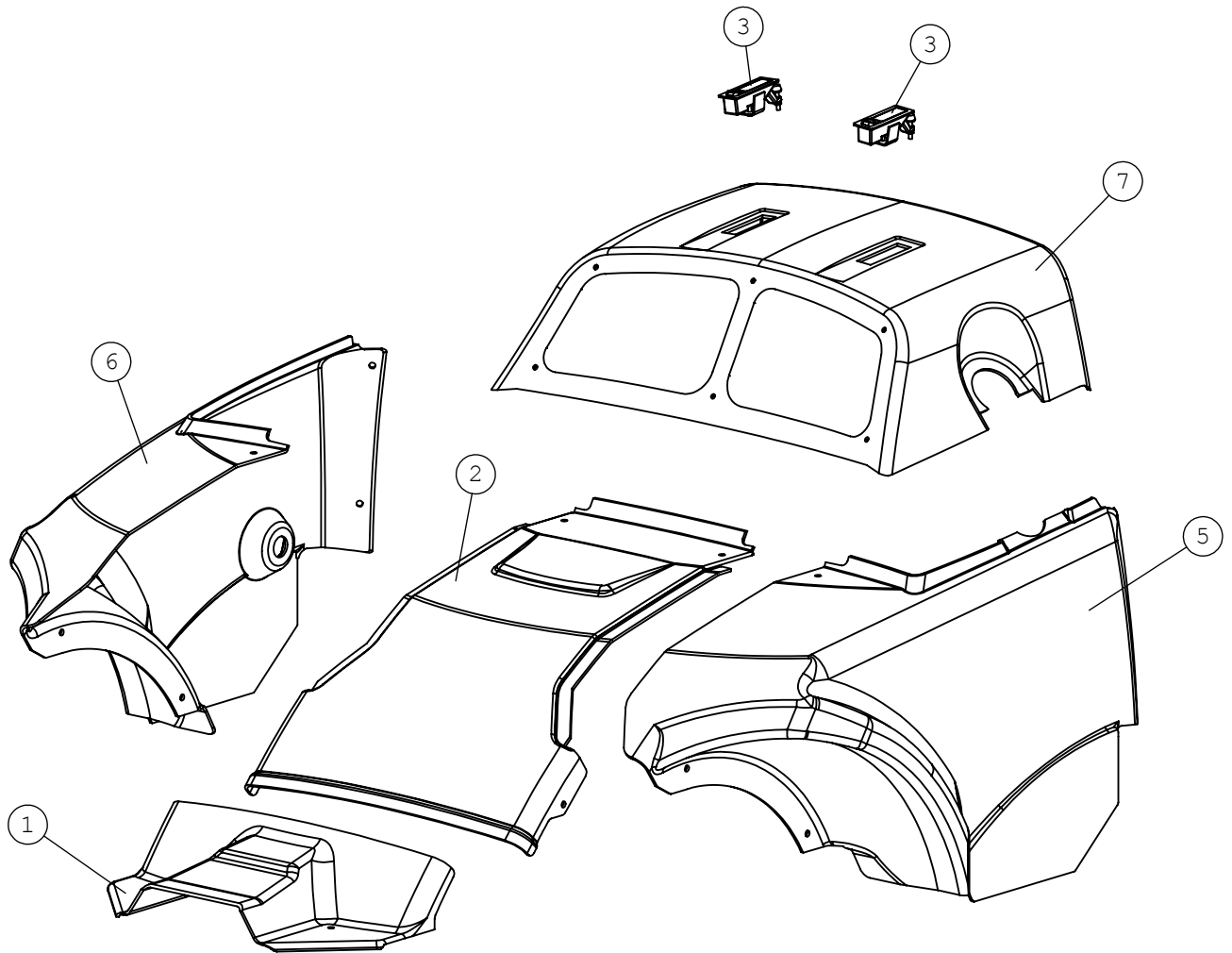
A35237 COVER PLATES, REAR, WITH MUDGUARDS

REF	PART NO	QTY	DESCRIPTION	NOTES	PAGE
1	A413841	1	COVER PLATE, ENGINE, 528/600, MODEL 2012		-
2	A413859	1	COVER PLATE,CENTER, 528/600 2012-		-
3	A413921	1	COVER PLATE, REAR, LEFT, WHEN MUDGUARDS		-
4	A413922	1	COVER PLATE, REAR, RIGHT, WHEN MUDGUARDS		-
5	65085	2	LATCH		-
6	A413916	1	NET		-
7	A413942	1	MUDGUARD, REAR, LEFT		-
8	A413944	1	MUDGUARD, REAR, RIGHT		-
9	A414701	1	COVER PLATE, REAR, CENTER, UPPER		-

11.8.2023

PC/HD, optional extra

A35659 COVER PLATES HD, REAR, 528-635 NO MUDGUA



11.8.2023

PC/HD, optional extra

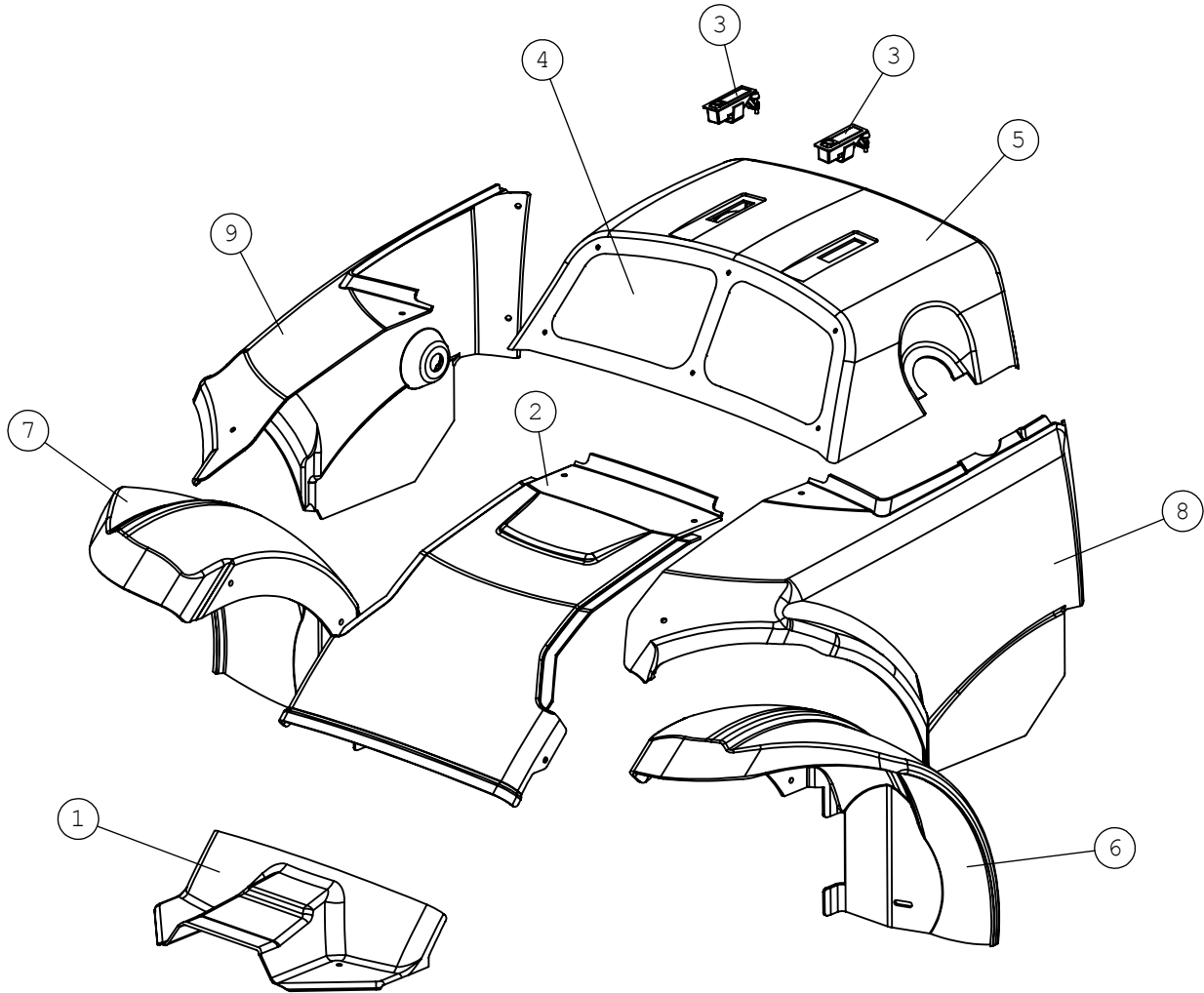
A35659 COVER PLATES HD, REAR, 528-635 NO MUDGUA

REF	PART NO	QTY	DESCRIPTION	NOTES	PAGE
1	A413859	1	COVER PLATE,CENTER, 528/600 2012-		-
2	A414701	1	COVER PLATE, REAR, CENTER, UPPER		-
3	65085	2	LATCH		-
4	A413916	1	NET		-
5	A415279	1	COVER PLATE HD POLYCARB REAR LEFT,		-
6	A415280	1	COVER PLATE HD POLYCARB REAR RIGHT		-
7	A415281	1	COVER PLATE ENGINE, HD POLYCARB 528-600		-

11.8.2023

PC/HD, mudguards, optional extra

A35660 COVER PLATES HD, REAR, 528-635 W MUDGUAR



11.8.2023

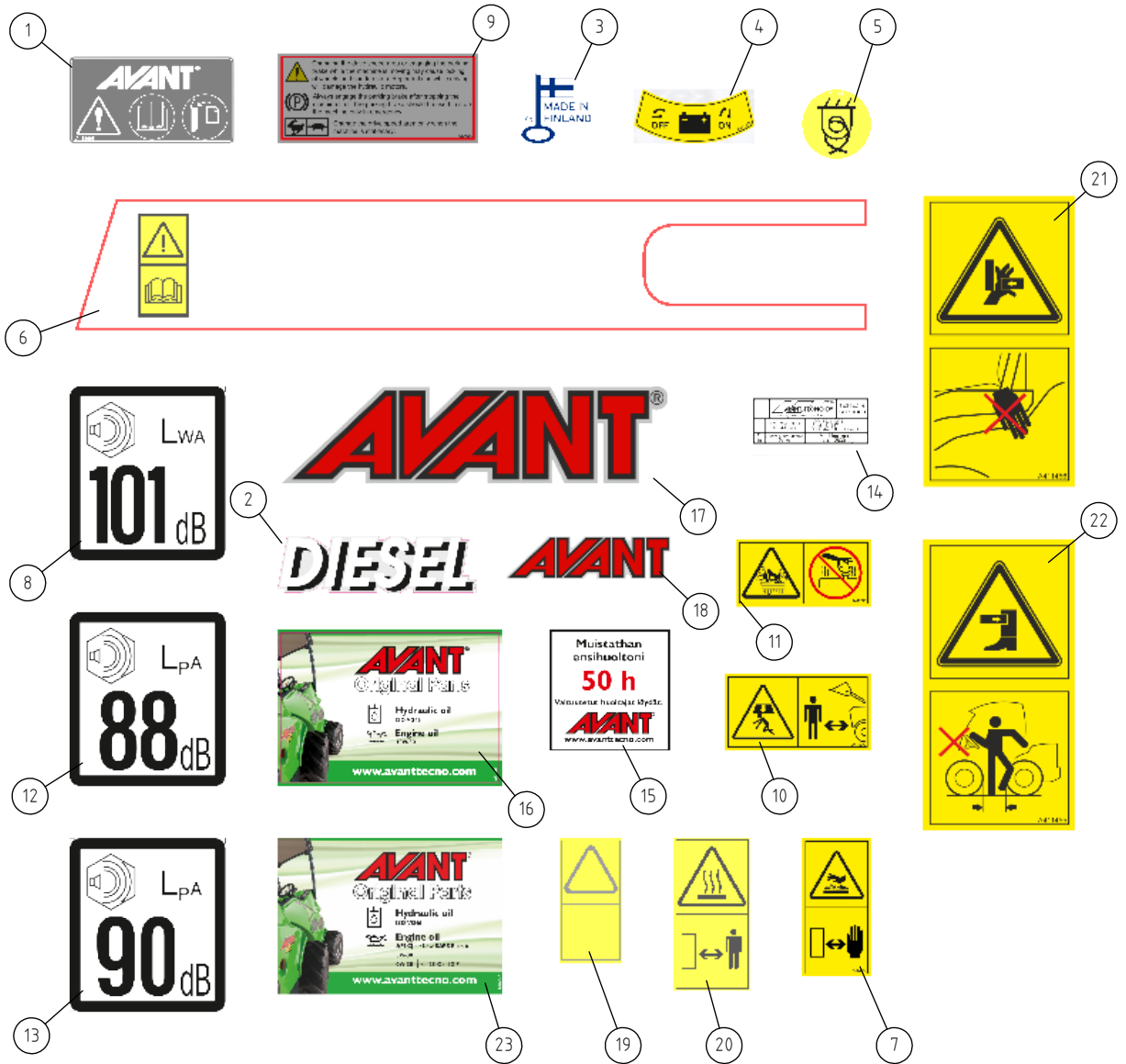
PC/HD, mudguards, optional extra

A35660 COVER PLATES HD, REAR, 528-635 W MUDGUAR

REF	PART NO	QTY	DESCRIPTION	NOTES	PAGE
1	A413859	1	COVER PLATE,CENTER, 528/600 2012-		-
2	A414701	1	COVER PLATE, REAR, CENTER, UPPER		-
3	65085	2	LATCH		-
4	A413916	1	NET		-
5	A415281	1	COVER PLATE ENGINE, HD POLYCARB 528-600		-
6	A413942	1	MUDGUARD, REAR, LEFT		-
7	A413944	1	MUDGUARD, REAR, RIGHT		-
8	A415283	1	COVER PLATE HD REAR LEFT, WHEN MUDGUARDS		-
9	A415284	1	COVER PLATE HD REAR RIGHT, WHEN MUDGUARD		-

11.8.2023

A428313 DECAL KIT 400-800 SERIES



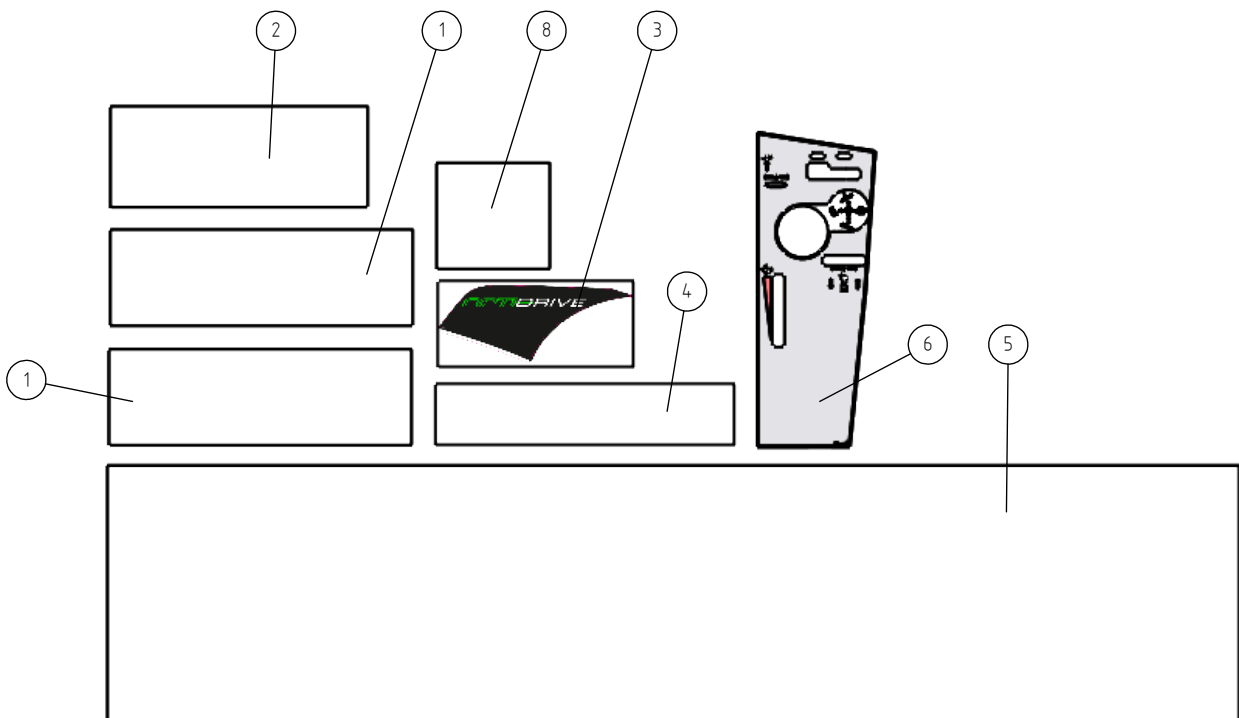
11.8.2023

A428313 DECAL KIT 400-800 SERIES

REF	PART NO	QTY	DESCRIPTION	NOTES	PAGE
1	A418695	1	DECAL OPERATORS MANUAL BOX		-
2	A43594	1	DECAL "DIESEL" 32*115 BLACK-WHITE/CLEAR		-
3	A429424	1	DECAL "MADE IN FINLAND"		-
4	A417404	1	DECAL BATTERY DISCONNECT SWITCH		-
5	A414283	4	DECAL PICTOGRAM TIE DOWN POINT		-
6	A414690	1	DECAL FOOTWELL "ALWAYS PERFORM A		-
7	A417270	1	DECAL WARNING HOT SURFACE		-
8	A411047	1	DECAL "LWA 101" 90*100 BLACK/WHITE		-
9	A420357	1	DECAL FIN JARRU/VAIHDE		-
10	A417273	1	DECAL PICTOGR NEVER GO UNDER LIFTED BOOM		-
11	A417272	1	DECAL WARNING RADIATOR PRESSURE		-
12	A43600	1	DECAL LPA88 90*100 BLACK/WHITE		-
13	A411217	1	DECAL "LPA 90" 90*100 BLACK/WHITE		-
14	A49517	1	TYPE PLATE A48906 FOPS 39*90		-
15	A410924	1	DECAL ENSIHUOLTO		-
16	A415780	1	DECAL AVANT HYDRAULIC OIL/ENGINE OIL		-
17	65024	1	DECAL AVANT® EMBOSSED 56*225MM RED		-
18	65649	1	DECAL AVANT® EMBOSSED 25*95MM		-
19	A417271	1	DECAL PICTOGRAM RADIATOR STOP ENGINE		-
20	A414244	1	DECAL, WARNING HOT SURFACES		-
21	A411456	1	DECAL PICTOGRAM CRUSHING HAZ HANDS ARTIC		-
22	A411455	1	DECAL PICTOGRAM CRUSHING HAZARD LEGS		-
23	A420043	1	DECAL "HYDRAULIC OIL ENGINE OIL"		-

11.8.2023

A434209 DECAL KIT, AVANT 528 ROPS OPTIDRIVE



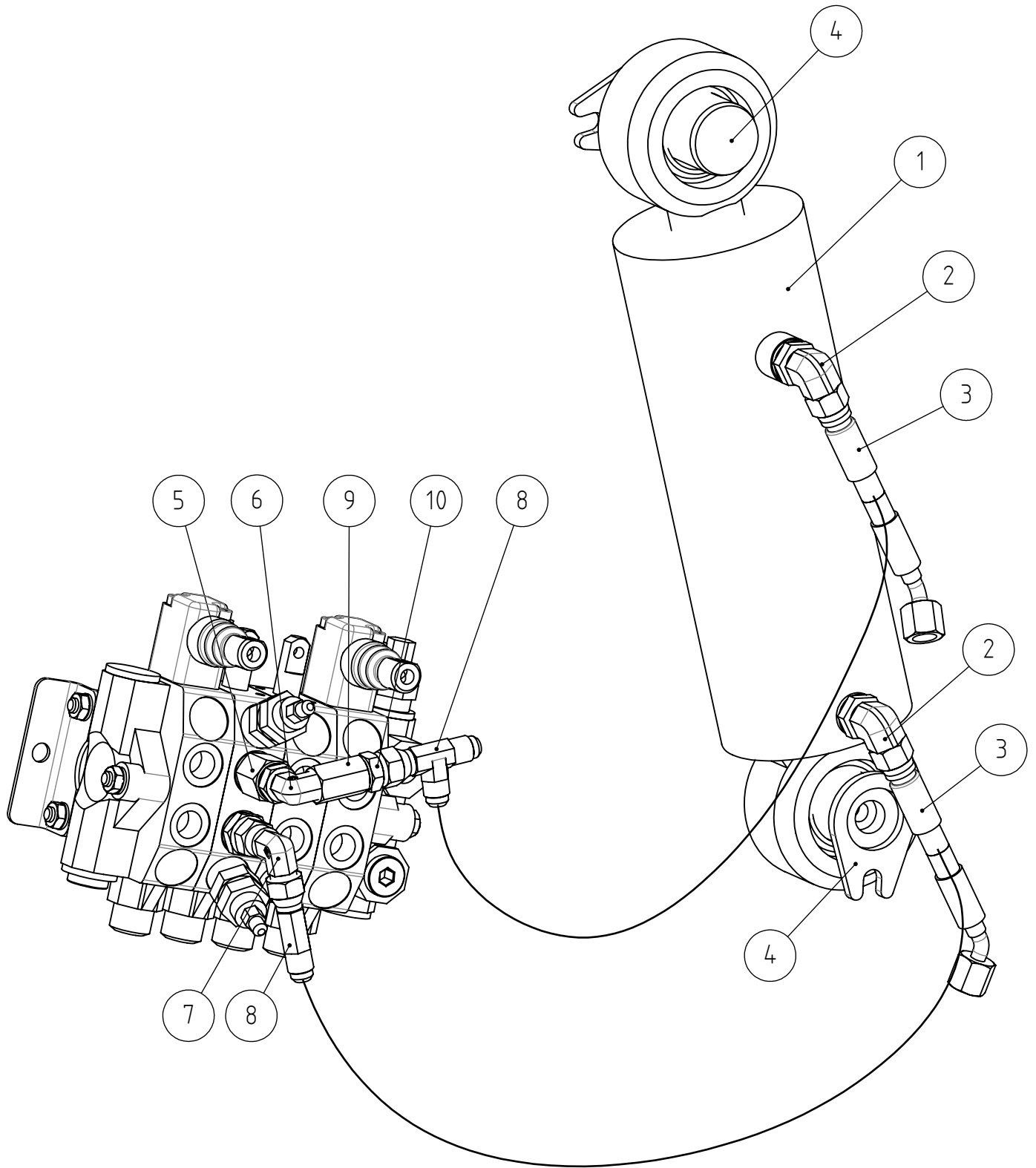
11.8.2023

A434209 DECAL KIT, AVANT 528 ROPS OPTIDRIVE

REF	PART NO	QTY	DESCRIPTION	NOTES	PAGE
1	A424083	2	DECAL "AVANT 528" REAR FRAME		-
2	A424081	1	DECAL "528" FRONT FRAME		-
3	A422763	1	DECAL "OPTIDRIVE" LEFT SIDE		-
4	A422765	1	DECAL FRONT FRAME RIGHT SIDE BLACK/WHITE		-
5	A424082	1	DECAL "528 OPTIDRIVE" SIDE		-
6	A414945	1	DECAL, CONTROL LEVERS, 520-528		-
7	A49517	1	TYPE PLATE A48906 FOPS 39*90		-
8	A419546	1	DECAL, TIPPING LOAD 528 (KG)		-

11.8.2023

A35553 BOOM SELF LEVELLING, 500 & E SERIES



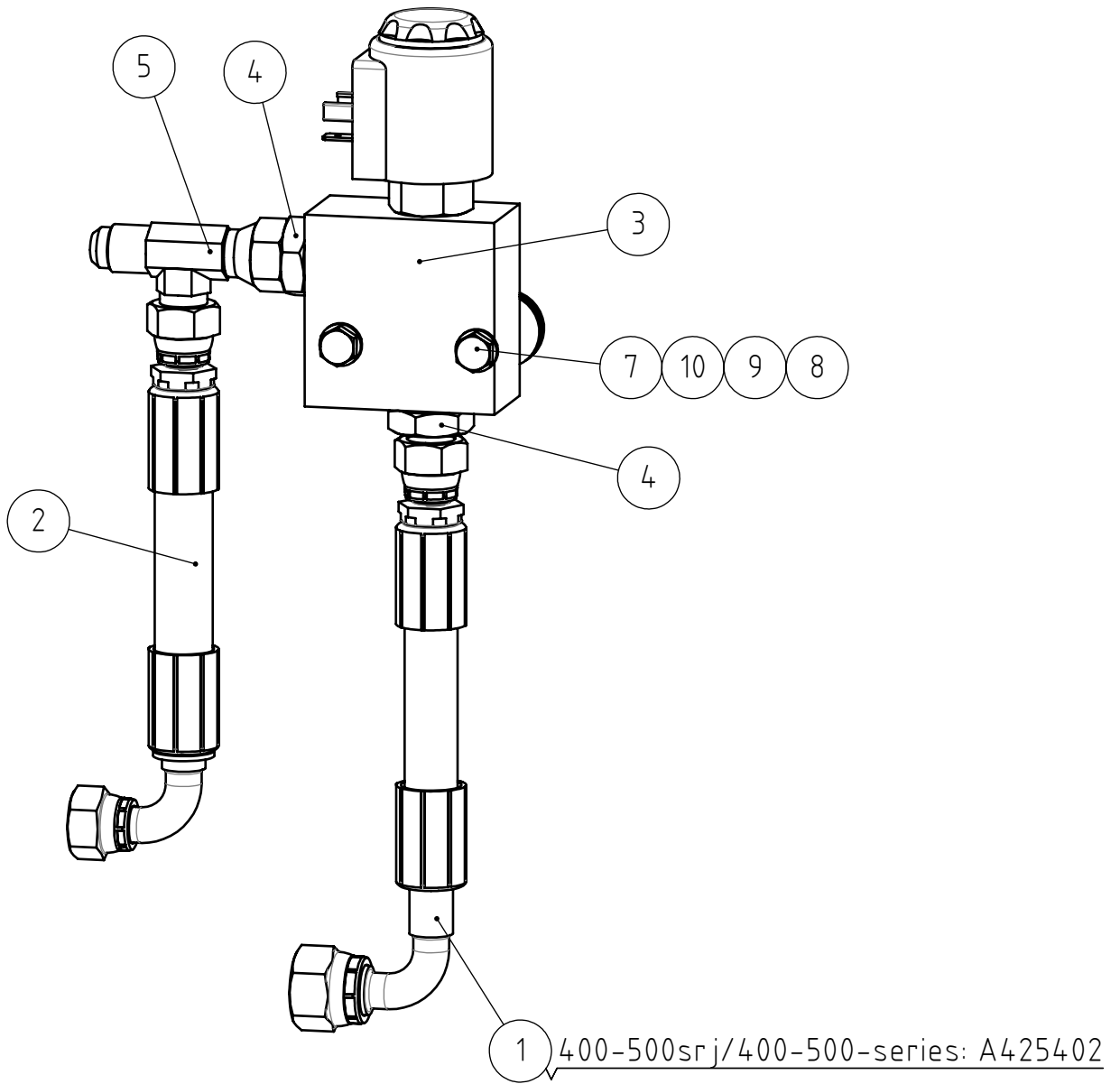
11.8.2023

A35553 BOOM SELF LEVELLING, 500 & E SERIES

REF	PART NO	QTY	DESCRIPTION	NOTES	PAGE
1	A47920	1	HYDR. CYLINDER F90/F40-142		-
1.1	65005	1	SEAL KIT, CYLINDER 90/40 A47920 A47921		-
1.2	64911	2	ARTICUL. BEARING GE40ES F62/40-28(22)		-
2	64044	2	ELBOW FITTING 90° C40XS10-3/8 /8		-
3	A47640	2	HYDR. HOSE L=2050 2LW-04		-
4	A47041	2	PIVON PIN F40-90		-
5	64324	1	REDUCER FITTING RI 3/8"-EDX 1/4"		-
6	64087	1	ELBOW FITTING 90 DEGR. /4#		-
7	64043	1	ELBOW FITTING 90° C6XS10		-
8	64078	2	L-FITTING BODY R6XS10		-
9	64195	1	TEST FITTING TT4XS10-1/4"		-
10	64059	1	BASIC FITTING F40XS10-1/4		-

11.8.2023

A47773 BOOM FLOATING, MACHINE WITHOUT SELF



11.8.2023

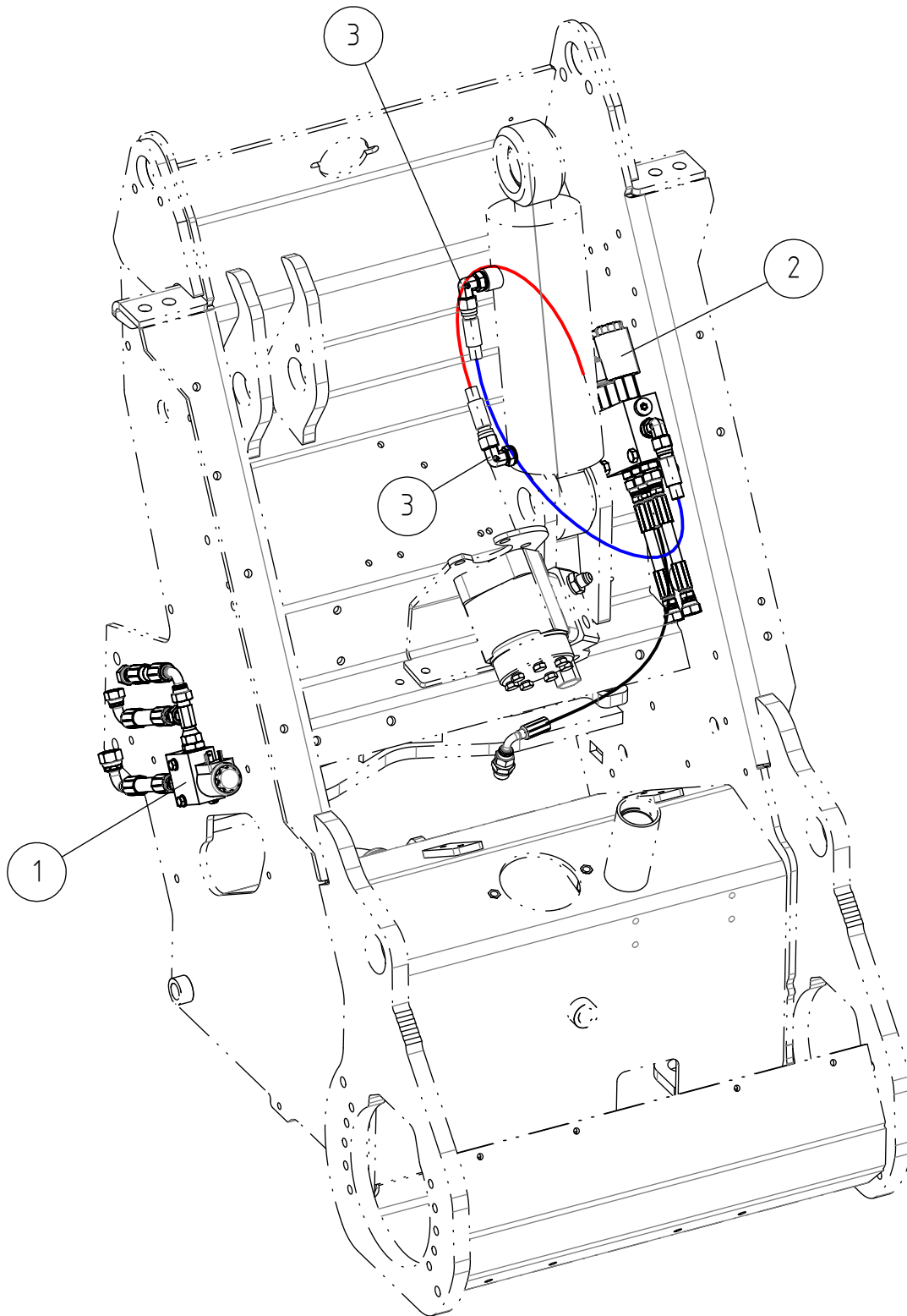
A47773 BOOM FLOATING, MACHINE WITHOUT SELF

REF	PART NO	QTY	DESCRIPTION	NOTES	PAGE
1	A445641	1	HYDR. HOSE L=840		-
2	A445095	1	HYDR. HOSE L=880		-
3	64676	1	SOLENOID VALVE WKO8W-01-SB3-N-12DG		-
4	64041	2	BASIC FITTING F40XS10-3/8 /8		-
5	64078	1	L-FITTING BODY R6XS10		-
6	A47841	1	WIRE HARNESS, BOOM FLOAT 600 SERIES		-
7	72125	2	HEXAGONAL SCREW M6* 60 DIN 921		-
8	72318	2	HEXAGONAL NUT M 6 DIN 985 NYLOC		-
9	71681	6	WASHER M6 DIN 440		-
10	71680	2	WASHER M6 DIN 125		-

11.8.2023

Boom floating when self levelling

A34015 BOOM FLOATING, WHEN SELF LEVELLING



11.8.2023

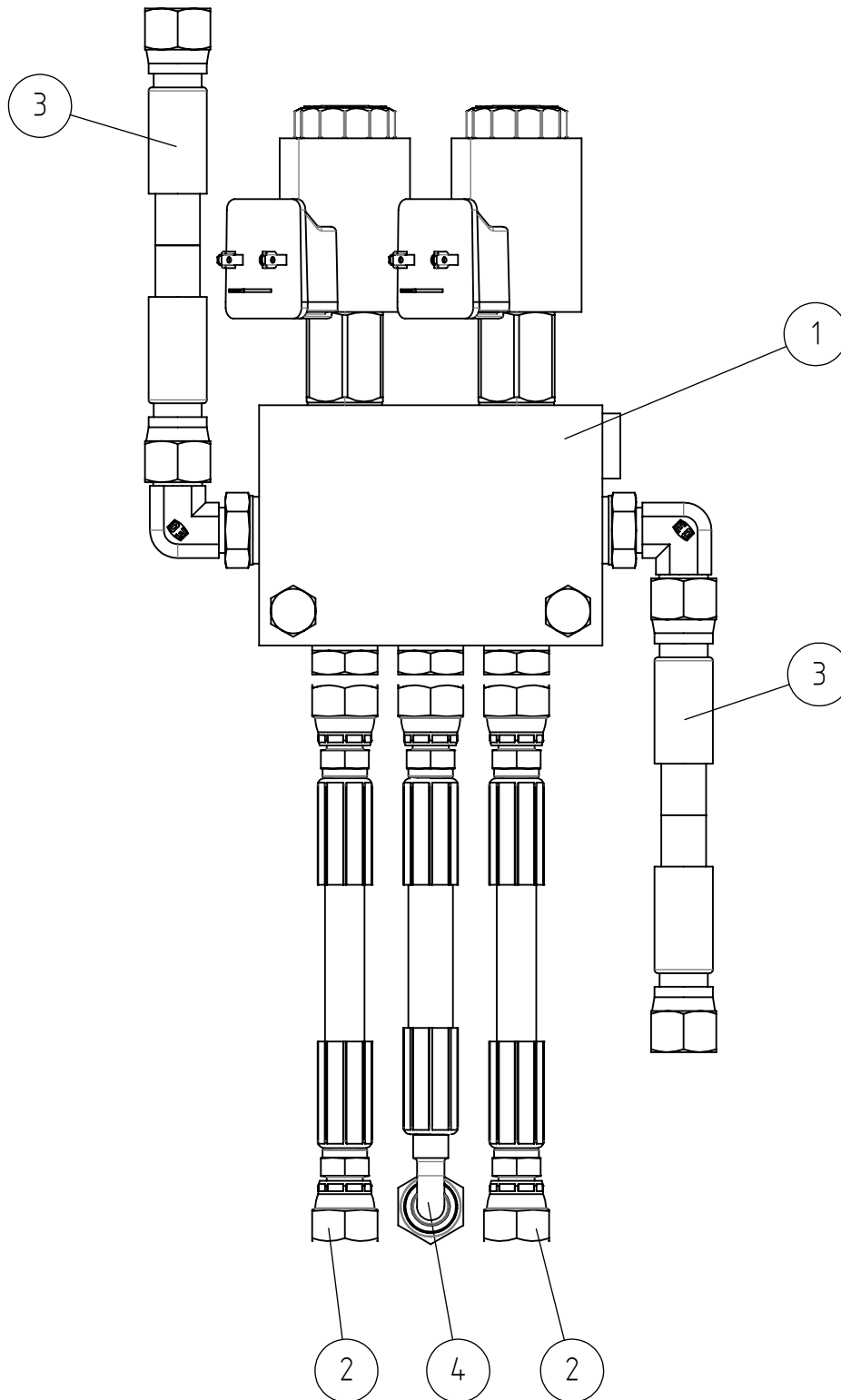
Boom floating when self levelling

A34015 BOOM FLOATING, WHEN SELF LEVELLING

REF	PART NO	QTY	DESCRIPTION	NOTES	PAGE
1	A47773	1	BOOM FLOATING, MACHINE WITHOUT SELF		94
2	A448287	1	VALVE & HOSES, BYPASS SELF LEVELLING		98
3	64087	2	ELBOW FITTING 90 DEGR. /4#		-
4	A49716	1	WIRE HARNESS, BOOM FLOATING		-

11.8.2023

A448287 VALVE & HOSES, BYPASS SELF LEVELLING



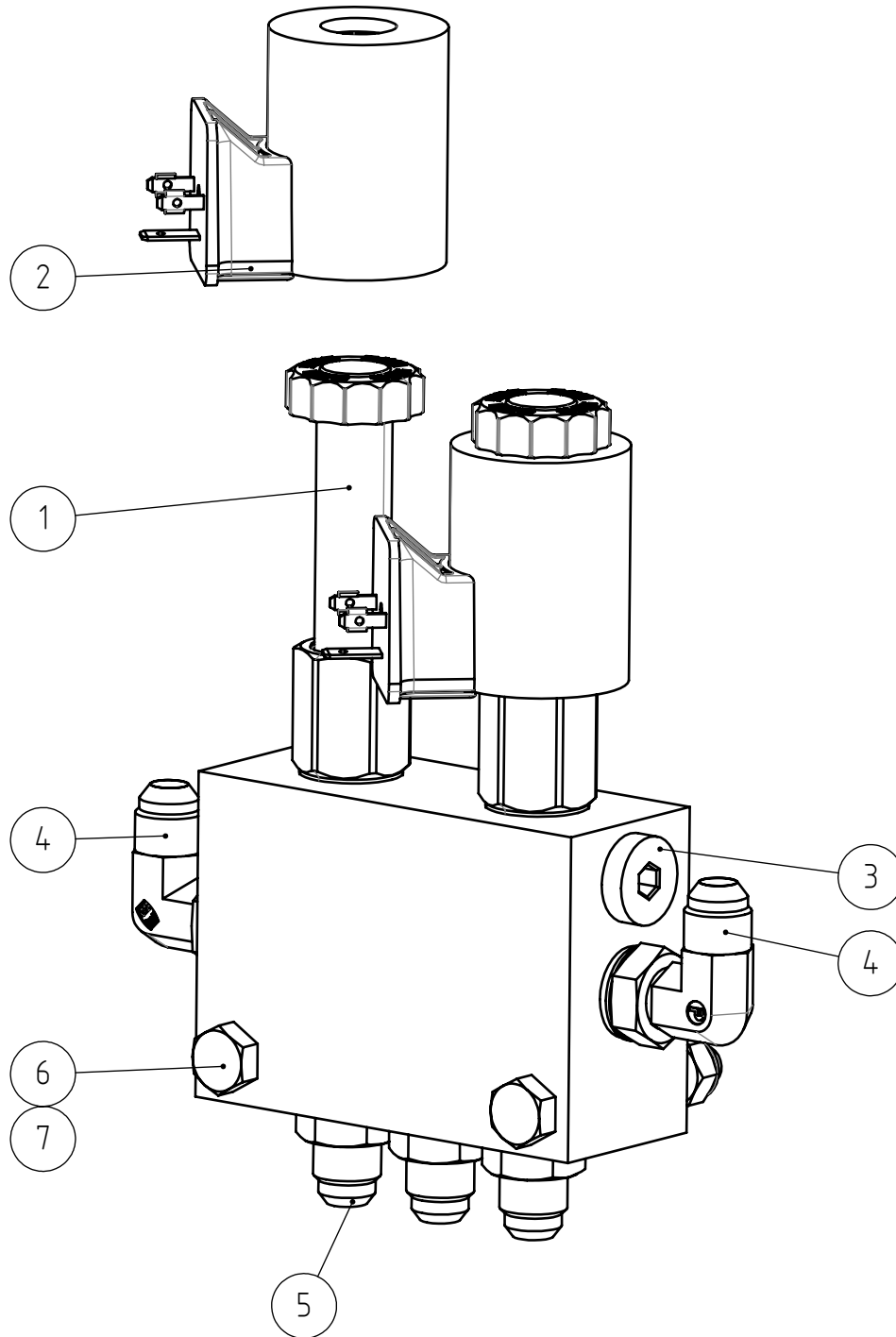
11.8.2023

A448287 VALVE & HOSES, BYPASS SELF LEVELLING

REF	PART NO	QTY	DESCRIPTION	NOTES	PAGE
1	A433694	1	VALVE ASSEMBLY BOOM FLOAT/SELF LEVELLING		100
1.1	A433695	2	VALVE CARTRIDGE 3/2 350BAR 30 L/MIN		-
1.2	A433696	2	SOLENOID 12VDC/25W + DIODE		-
2	A448259	2	HYDR. HOSE L=1750		-
3	A44472	2	HYDR. HOSE L=720 JIC10-JIC10 FLOATING BO		-
4	A410096	1	HYDR. HOSE L=450		-

11.8.2023

A433694 VALVE ASSEMBLY BOOM FLOAT/SELF LEVELLING



11.8.2023

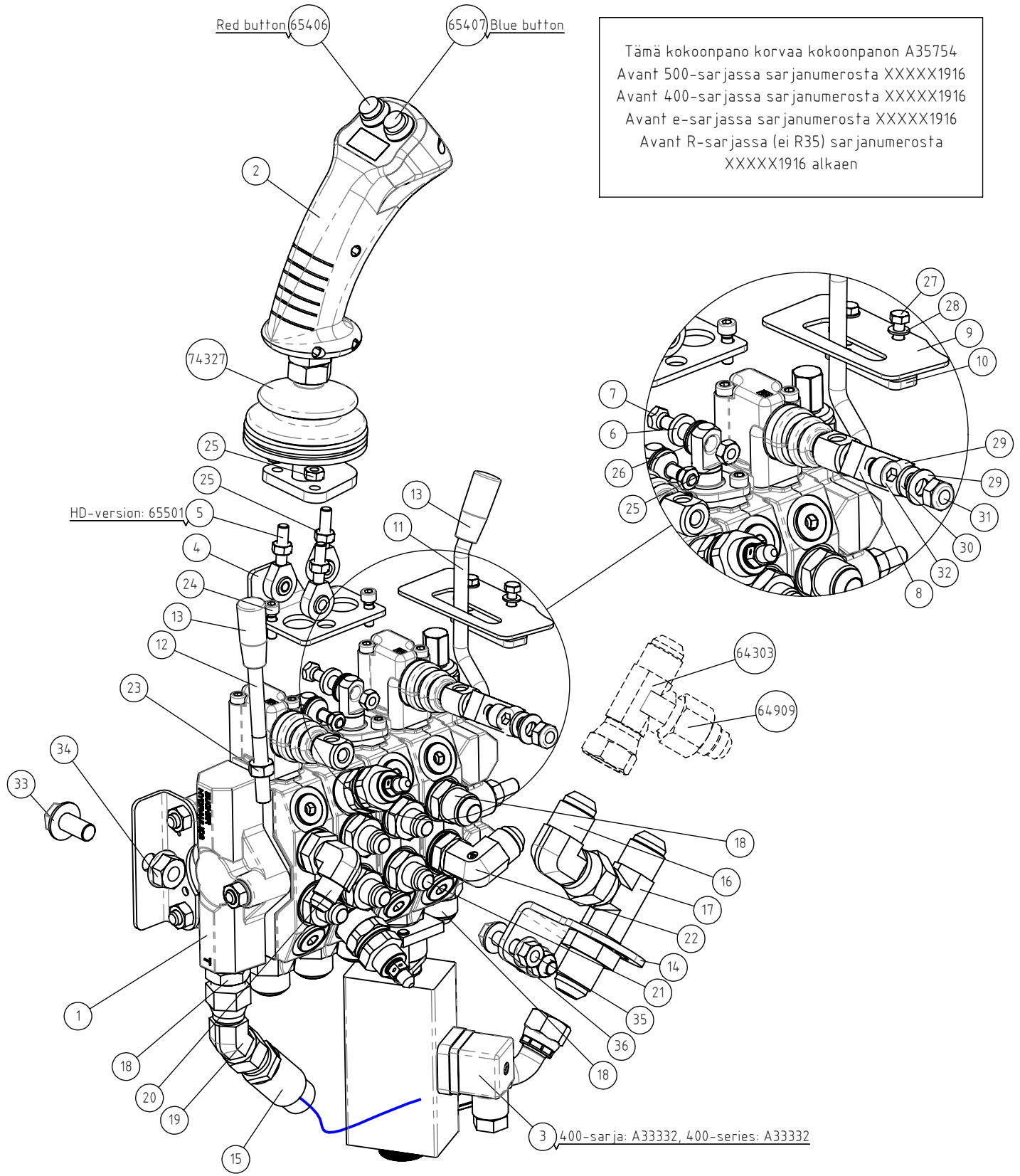
A433694 VALVE ASSEMBLY BOOM FLOAT/SELF LEVELLING

REF	PART NO	QTY	DESCRIPTION	NOTES	PAGE
1	A433695	2	VALVE CARTRIDGE 3/2 350BAR 30 L/MIN		-
1.1	A443091	1	SEAL KIT VALVE CARTRIDGE 990411007 T-11A		-
2	A433696	2	SOLENOID 12VDC/25W + DIODE		-
3	64700	1	HEXAGONAL PLUG R 1/4"		-
4	64087	2	ELBOW FITTING 90 DEGR. /4#		-
5	64059	3	BASIC FITTING F40XS10-1/4		-
6	72139	2	HEXAGONAL SCREW M 8*60 DIN 931		-
7	72320	2	HEXAGONAL NUT M8 NYLOC DIN 985		-
-	A433695	2	VALVE CARTRIDGE 3/2 350BAR 30 L/MIN		-
-	A433696	2	SOLENOID 12VDC/25W + DIODE		-

11.8.2023

From XXXXX1916

A434045 CONTROL VALVE 6-FUNCT JOYSTICK 400/500



Tämä kokoonpano korvaa kokoonpanon A35754
 Avant 500-sarjassa sarjanumerosta XXXXX1916
 Avant 400-sarjassa sarjanumerosta XXXXX1916
 Avant e-sarjassa sarjanumerosta XXXXX1916
 Avant R-sarjassa (ei R35) sarjanumerosta
 XXXXX1916 alkaen

HD-version: 65501

3 400-sarja: A33332, 400-series: A33332

11.8.2023

From XXXXX1916

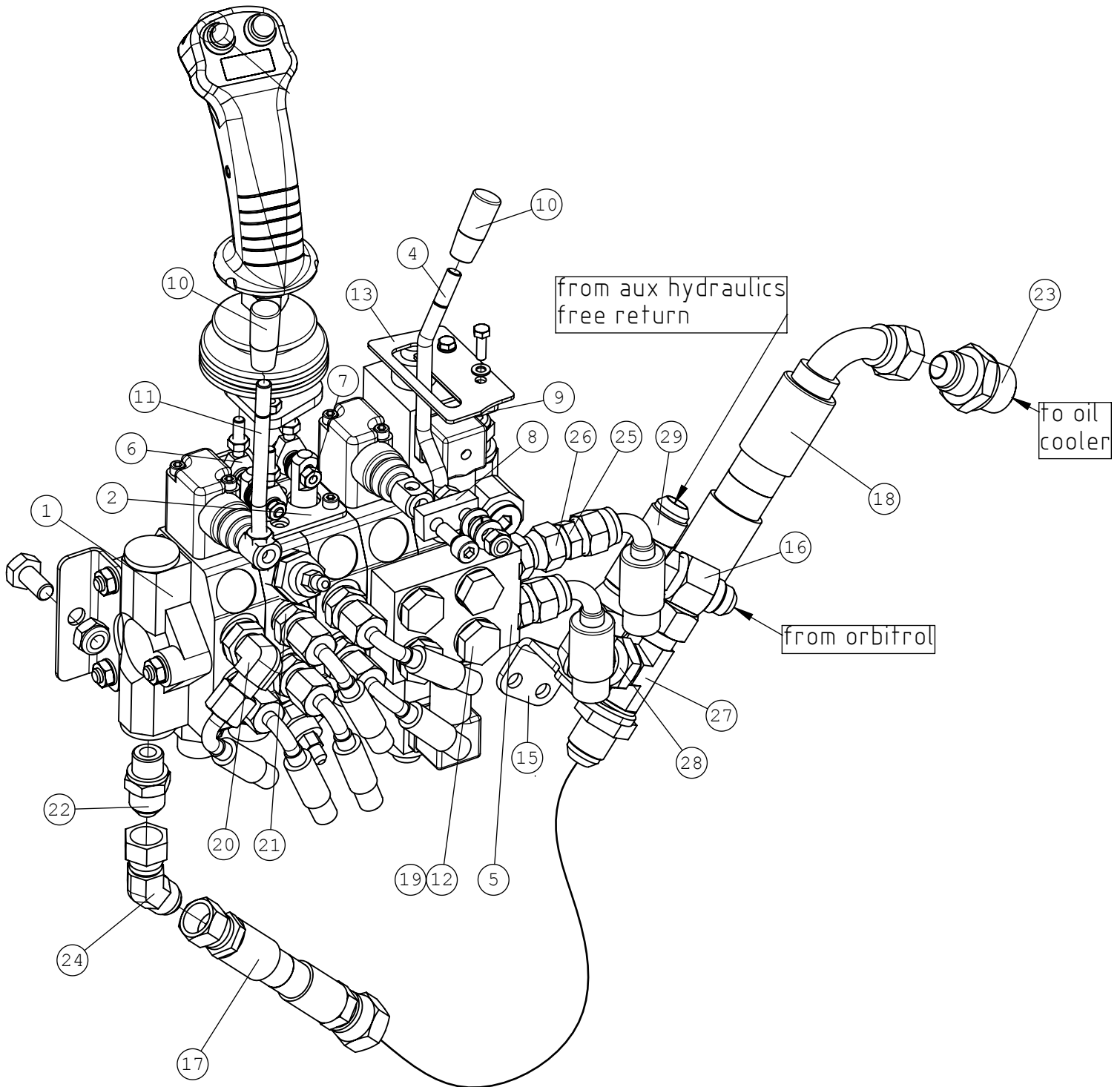
A434045 CONTROL VALVE 6-FUNCT JOYSTICK 400/500

REF	PART NO	QTY	DESCRIPTION	NOTES	PAGE
1	A430922	1	CONTROL VALVE 6-FUNCT JOYSTICK 400/500		106
2	A424241	1	JOYSTICK 6 FUNCTION ASSEMBLY		-
2.1	65406	1	PUSHBUTTON, RED, AUX. HYDR. JOYSTICK		-
2.2	65407	1	PUSHBUTTON, BLUE, JOYSTICK, AUX. HYDR.		-
3	A424994	1	WIRE HARNESS SOLENOID VALVE 528-700		-
4	A42838	1	BRACKET, LINKAGE CONTROL LEVER		-
5	63690	3	ROD END BEARING ASAHI JAM 6		-
6	A41821	2	PIN, CONTROL LEVERS		-
7	A41822	2	LEVERAGE NUT M 6		-
8	A43092	1	CONNECTING PIECE, CONTROL LEVER		-
9	A48498	1	LOCKING PLATE, CONTROL LEVER		-
10	A48360	1	LOCKING PIECE		-
11	A410950	1	CONTROL LEVER, AUX. HYDR.		-
12	A411056	1	CONTROL LEVER, TELESCOPIC BOOM		-
13	74761	2	KNOB, CONTROL LEVER		-
14	A415907	1	PLATE, CONTROL VALVE, RETURN LINE		-
15	A420374	1	HYDR. HOSE L=300		-
16	64306	1	ELBOW FITTING 90 DEGR. C6XS16		-
17	65062	1	LEAD THROUGH FITTING		-
18	64042	3	BASIC FITTING F40XS12-3/8 /8		-
19	64884	1	ELBOW FITTING 45 DEGR. V6SX12		-
20	64044	1	ELBOW FITTING 90° C40XS10-3/8 /8		-
21	64041	5	BASIC FITTING F40XS10-3/8 /8		-
22	64068	1	ELBOW FITTING 90 DEGR. C40XS12-3/8 /8		-
23	72319	1	HEXAGONAL NUT M8 DIN 934		-
24	74472	2	HEXAGONAL HEAD SCREW M 5*16 DIN 912 ZN		-
25	72317	8	HEXAGONAL NUT M6 DIN 934		-
26	63944	2	WASHER, PAIR, NORD-LOCK M8		-
27	72110	2	HEX. SCREW M5*16 DIN 933		-
28	74448	2	WASHER M5 A5,3 DIN 125 ZN		-
29	73122	2	WASHER M8 A8,4 DIN 125 ZN		-
30	73962	1	WASHER M 8 DIN 127		-
31	72320	1	HEXAGONAL NUT M8 NYLOC DIN 985		-
32	74481	1	HEXAGONAL HEAD SCREW M8*20 DIN 912 ZN		-
33	A432196	2	HEXAGONAL SERRATED SCREW M10*20 W. FLANG		-
34	74783	2	HEXAGONAL NUT M10 WITH FLANGE		-
35	74782	2	HEXAGONAL NUT M8 WITH FLANGE		-
36	A429201	2	HEXAGONAL SERRATED SCREW M8*20 WITH FLAN		-

11.8.2023

Before XXXXX1915

A35754 JOYSTICK 6 FUNCTIONS, KIT, 500 SERIES



11.8.2023

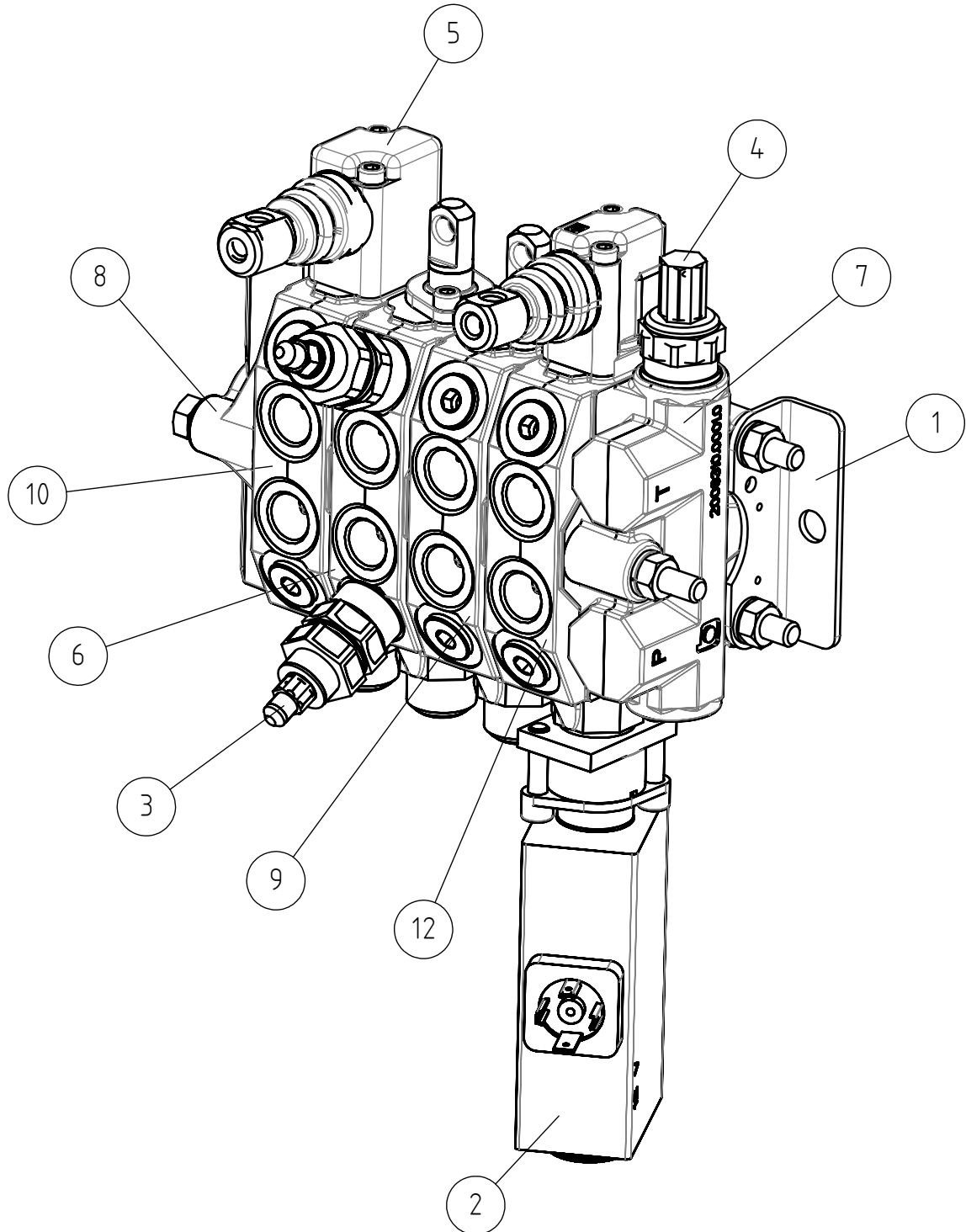
Before XXXXX1915

A35754 JOYSTICK 6 FUNCTIONS, KIT, 500 SERIES

REF	PART NO	QTY	DESCRIPTION	NOTES	PAGE
1	A414939	1	CONTROL VALVE HDS11/5 MECHAN+ELECTRIC		-
1.1	A431424	1	SOLENOID 12VDC/36W		-
2	A42838	1	BRACKET, LINKAGE CONTROL LEVER		-
3	A414942	1	JOYSTICK 6 FUNCTIONS HANDLE ASSEMBLY		-
4	A410950	1	CONTROL LEVER, AUX. HYDR.		-
5	A414899	1	CONNECTION HYDRAULIC BLOCK, AUX. HYDRAUL		-
6	63690	3	ROD END BEARING ASAHI JAM 6		-
7	A41821	2	PIN, CONTROL LEVERS		-
8	A43092	1	CONNECTING PIECE, CONTROL LEVER		-
9	A48360	1	LOCKING PIECE		-
10	74761	2	KNOB, CONTROL LEVER		-
11	A411056	1	CONTROL LEVER, TELESCOPIC BOOM		-
12	A42089	4	BANJO BOLT R3/8" - 38 MM		-
13	A48070	1	LOCKING PLATE, CONTROL LEVER		-
14	A35403	1	WIRE HARNESS, JOYSTICK 6 FUNCTIONS		-
15	A415907	1	PLATE, CONTROL VALVE, RETURN LINE		-
16	64909	1	REDUCER FITTING TRTXS16-12		-
17	A48898	1	HYDR. HOSE L=330		-
18	A47682	1	HYDR. HOSE L=280 1LW-10 JIC16-JIC16 90		-
19	73379	8	USIT-COMPRESSION 3/8"		-
20	64044	1	ELBOW FITTING 90° C40XS10-3/8 /8		-
21	64041	5	BASIC FITTING F40XS10-3/8 /8		-
22	64042	4	BASIC FITTING F40XS12-3/8 /8		-
23	64692	1	BASIC FITTING F40XS16-3/4		-
24	64884	1	ELBOW FITTING 45 DEGR. V6SX12		-
25	64135	1	CONNECTOR FITTING HTXS12 STRAIGHT		-
26	64082	1	CONNECTION NIPPLE F64XS12-3/8		-
27	65062	1	LEAD THROUGH FITTING		-
28	64306	1	ELBOW FITTING 90 DEGR. C6XS16		-
29	64303	1	L FITTING R6XS16		-

11.8.2023

A430922 CONTROL VALVE 6-FUNCT JOYSTICK 400/500



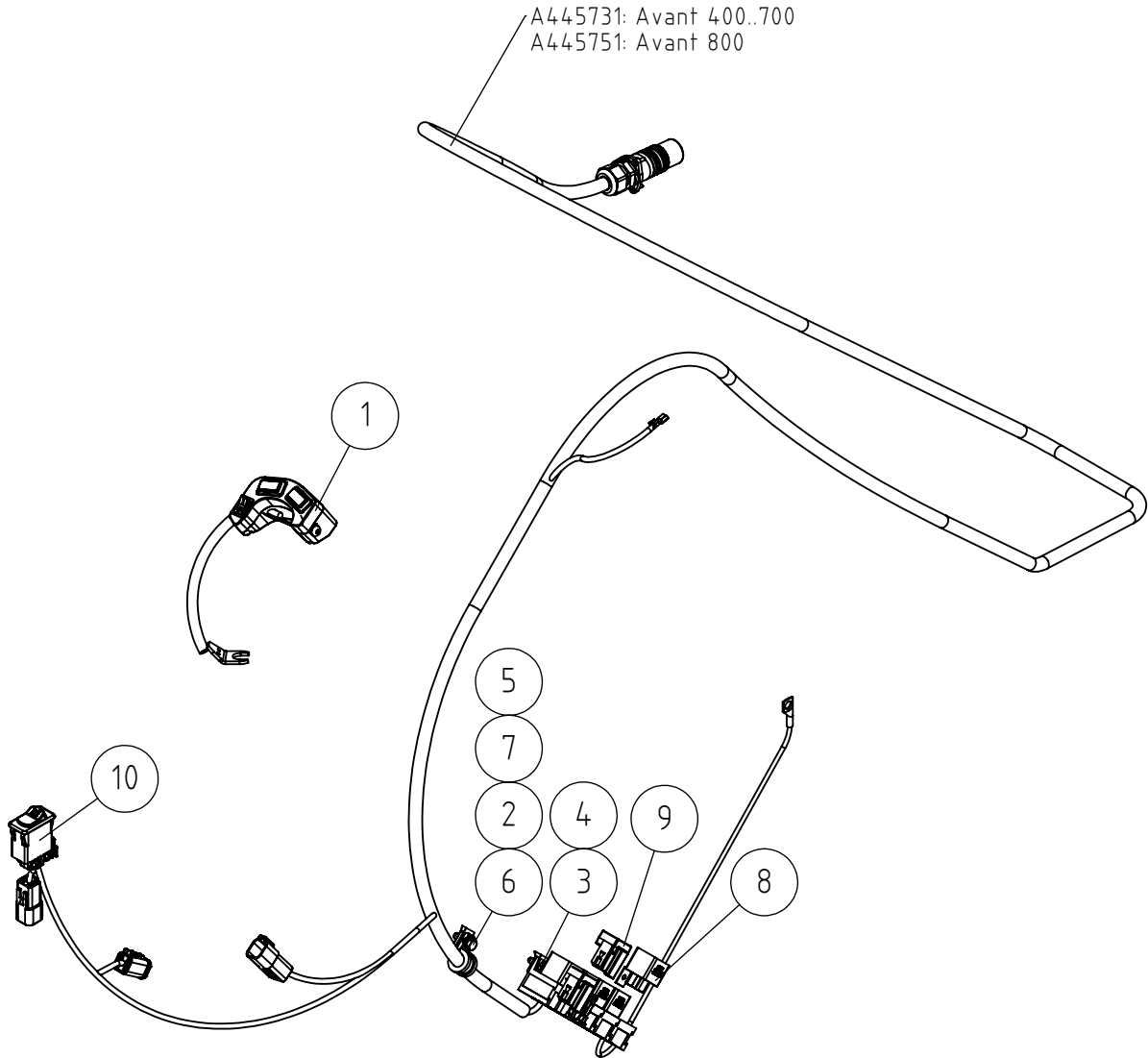
11.8.2023

A430922 CONTROL VALVE 6-FUNCT JOYSTICK 400/500

REF	PART NO	QTY	DESCRIPTION	NOTES	PAGE
1	A430922	1	CONTROL VALVE 6-FUNCT JOYSTICK 400/500		106
2	A434106	1	SOLENOID 12VDC/60W PUSH-PULL		-
3	64276	1	SHOCK & ANTI-CAV. VALVE HDS10 ADJUSTABLE		-
4	A431043	1	PRESSURE RELIEF VALVE CARTRIDGE HDS11/15		-
5	65524	1	LEVER MOUNTING BRACKET CONTR VALVE HDS11		-
6	64710	1	VALVE SEGMENT, TILT, WITH SHOCK 500 SERI		-
7	A450750	1	VALVE SEGMENT MAIN PRESSURE RELIEF		-
8	A450751	1	VALVE SEGMENT HDS11 END SEGMENT		-
9	A450753	1	VALVE SEGMENT LIFT CYLINDER		-
10	A450758	1	VALVE SEGMENT TELESCOPE / REAR AUX.		-
11	64349	1	SEAL KIT, CONTROL VALVE SECTION HDS10/11		-
12	A439124	1	VALVE SEGMENT HDS11 PUSH-PULL		-

11.8.2023

A36878 ATTACHMENT CONTROL SWITCH PACK



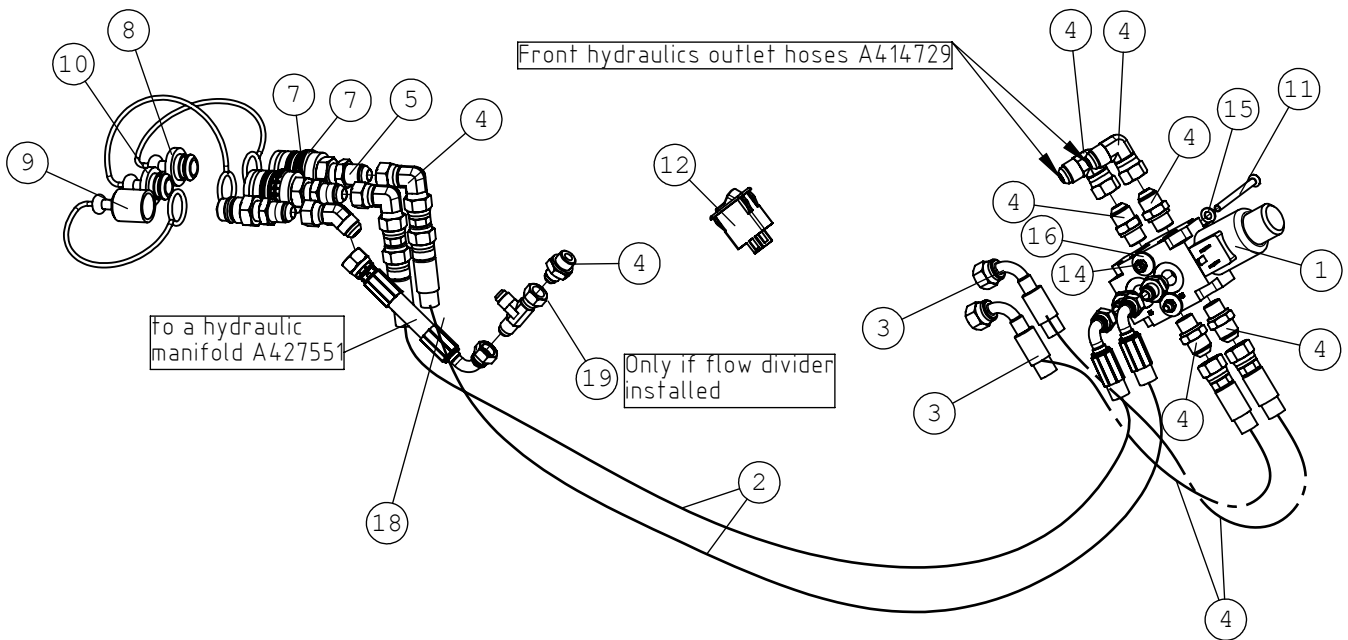
11.8.2023

A36878 ATTACHMENT CONTROL SWITCH PACK

REF	PART NO	QTY	DESCRIPTION	NOTES	PAGE
1	A34716	1	SWITCH PACK		-
1.1	65431	1	ROCKER SWITCH 0-1, BLACK, 180.1146		-
1.2	65408	2	ROCKER SWITCH, BLACK, JOYSTICK		-
2	71680	1	WASHER M6 DIN 125		-
3	72110	2	HEX. SCREW M5*16 DIN 933		-
4	75172	2	SPEED NUT M5 FOR 0.5-4.0 MM PLATE		-
5	74807	1	SPEED NUT M6, FOR 0.5-4.0 MM PLATE		-
6	72118	1	HEXAGONAL SCREW M6*20 DIN 933		-
7	74837	1	PIPE CLAMP F14 MM		-
8	64679	5	RELAY 12V 20/30A		-
9	A437313	2	DIODE 4A 600V WITH CONNECTOR		-
10	A437343	1	ROCKER SWITCH OPTICONTROL		-
11	A443240	1	WIRE HARNESS OPTICONTROL		-
12	A445731	1	CONNECTING CABLE OPTICONTROL L=3100		-
13	A445751	1	CONNECTING CABLE OPTICONTROL L=3800		-

11.8.2023

A35881 REAR AUX. HYDR. OUTLET, DOUBLE ACTING



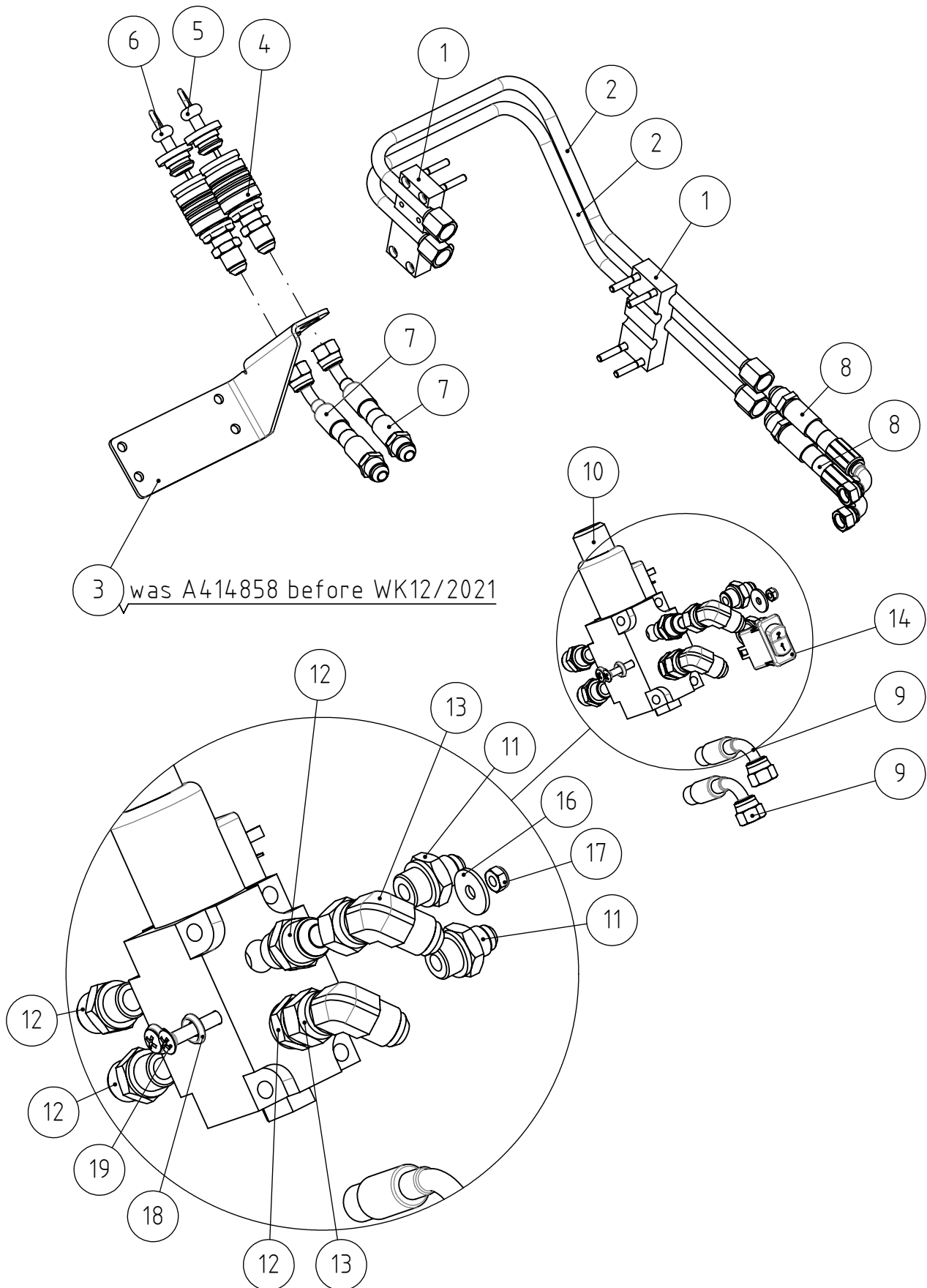
11.8.2023

A35881 REAR AUX. HYDR. OUTLET, DOUBLE ACTING

REF	PART NO	QTY	DESCRIPTION	NOTES	PAGE
1	65099	1	SELECTOR VALVE DFE100/6 12VDC		-
1.1	A430809	1	SOLENOID 12VDC		-
2	A47918	2	HYDR. HOSE L=3400		-
3	A47730	2	HYDR. HOSE L=600 2LW-06 JIC12-JIC12 90DG		-
4	64041	3	BASIC FITTING F40XS10-3/8 /8		-
5	64190	2	QUICK COUPLING PART 1/2" 2V54-T5X4 FEMAL		-
6	64189	1	QUICK COUPLING MALE UNION 1/2" 4V14-T5X4		-
7	74769	4	SEEGER RING A38*1,75 DIN 471		-
8	73754	1	RUBBER PLUG 1/2", TO FEMALE QUICK COUPLE		-
9	73753	1	COVER 1/2" TO MALE QUICK COUPLER		-
10	65133	1	RUBBER COVER, RED, QUICK COUPLER		-
11	74861	2	CROSS-SLOT COUNTRS. HEAD SCREW M6*80		-
12	65278	1	ROCKER SWITCH, HYDR. REAR LIFT		-
13	A49452	1	WIRE HARNESS, REAR AUX. HYDRAULICS		-
14	72318	2	HEXAGONAL NUT M 6 DIN 985 NYLOC		-
15	74768	2	WASHER CONICAL M6		-
16	71681	2	WASHER M6 DIN 440		-
17	64884	1	ELBOW FITTING 45 DEGR. V6SX12		-
18	A429507	1	HYDR. HOSE L=1600		-
19	64078	1	L-FITTING BODY R6XS10		-

11.8.2023

A35884 EXTRA AUX. HYDR. OUTLET, FRONT, 500 SERI



11.8.2023

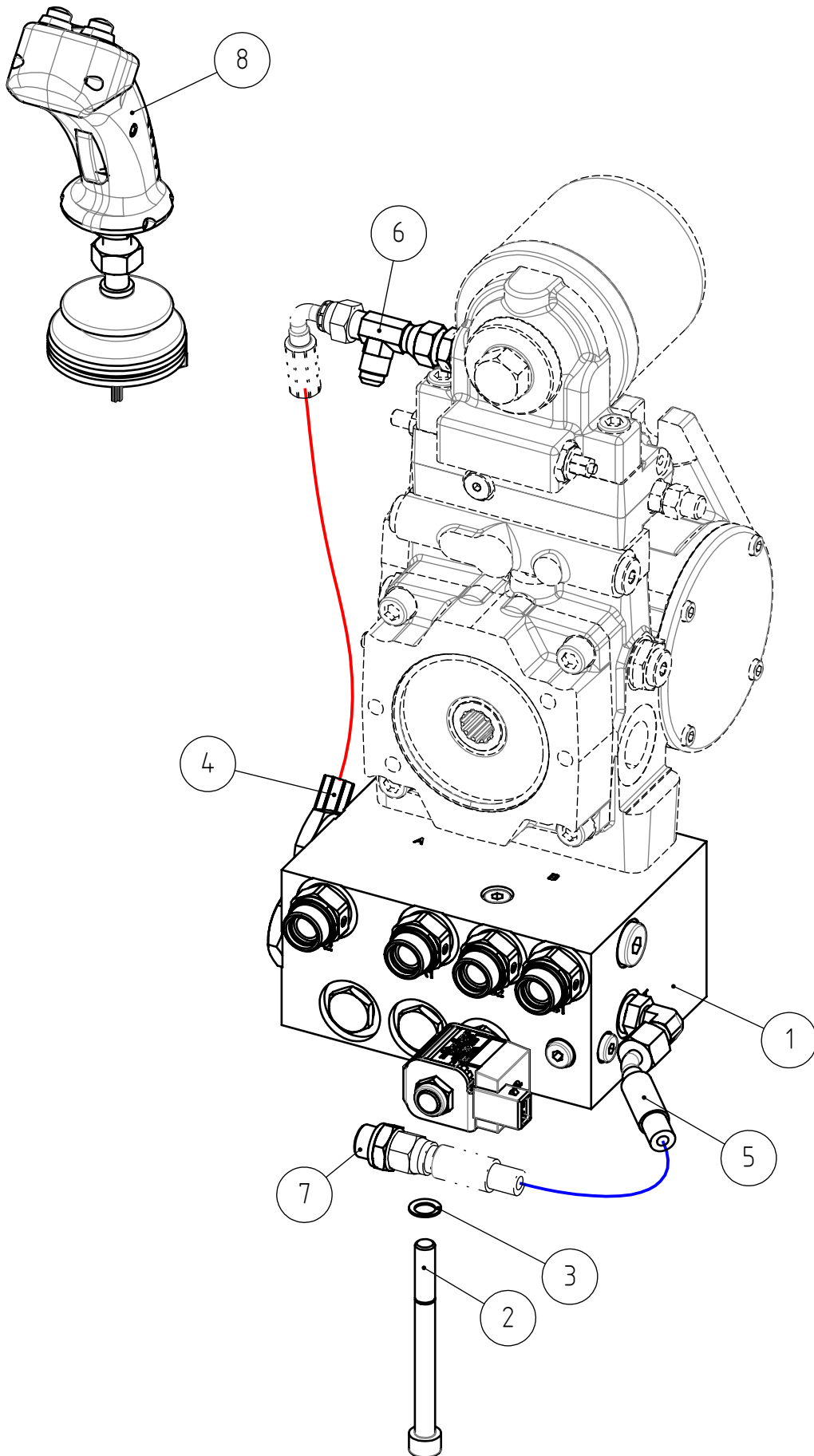
A35884 EXTRA AUX. HYDR. OUTLET, FRONT, 500 SERI

REF	PART NO	QTY	DESCRIPTION	NOTES	PAGE
1	A414870	2	PIPE CLAMP F12		-
2	A414873	2	HYDRAULIC TUBE F12		-
3	A422154	1	MOUNTING PLATE, QUICK COUPLERS EXTRA		-
4	64190	2	QUICK COUPLING PART 1/2" 2V54-T5X4 FEMAL		-
5	73754	1	RUBBER PLUG 1/2", TO FEMALE QUICK COUPLE		-
6	65566	1	RUBBER PLUG BLUE 1/2", QUICK COUPLING		-
7	A414877	2	HYDR. HOSE L=1300		-
8	A47638	2	HYDR. HOSE L=1610 2LW-06		-
9	A47730	2	HYDR. HOSE L=600 2LW-06 JIC12-JIC12 90DG		-
10	65099	1	SELECTOR VALVE DFE100/6 12VDC		-
10.1	A430809	1	SOLENOID 12VDC		-
11	64041	2	BASIC FITTING F40XS10-3/8 /8		-
12	64042	4	BASIC FITTING F40XS12-3/8 /8		-
13	64134	2	ELBOW FITTING 90 DEGR. C6XS12		-
14	65276	1	ROCKER SWITCH, REAR AUXILIARY HYDRAULICS		-
15	A49452	1	WIRE HARNESS, REAR AUX. HYDRAULICS		-
16	71681	2	WASHER M6 DIN 440		-
17	72318	2	HEXAGONAL NUT M 6 DIN 985 NYLOC		-
18	74768	2	WASHER CONICAL M6		-
19	74861	2	CROSS-SLOT COUNTRS. HEAD SCREW M6*80		-
20	74438	8	HEXAGONAL HEAD SCREW M6*40 DIN 912		-

11.8.2023

E03 fittings before 2022 week 26

A424303 ANTI SLIP VALVE OPTIDRIVE 500 / 600



11.8.2023

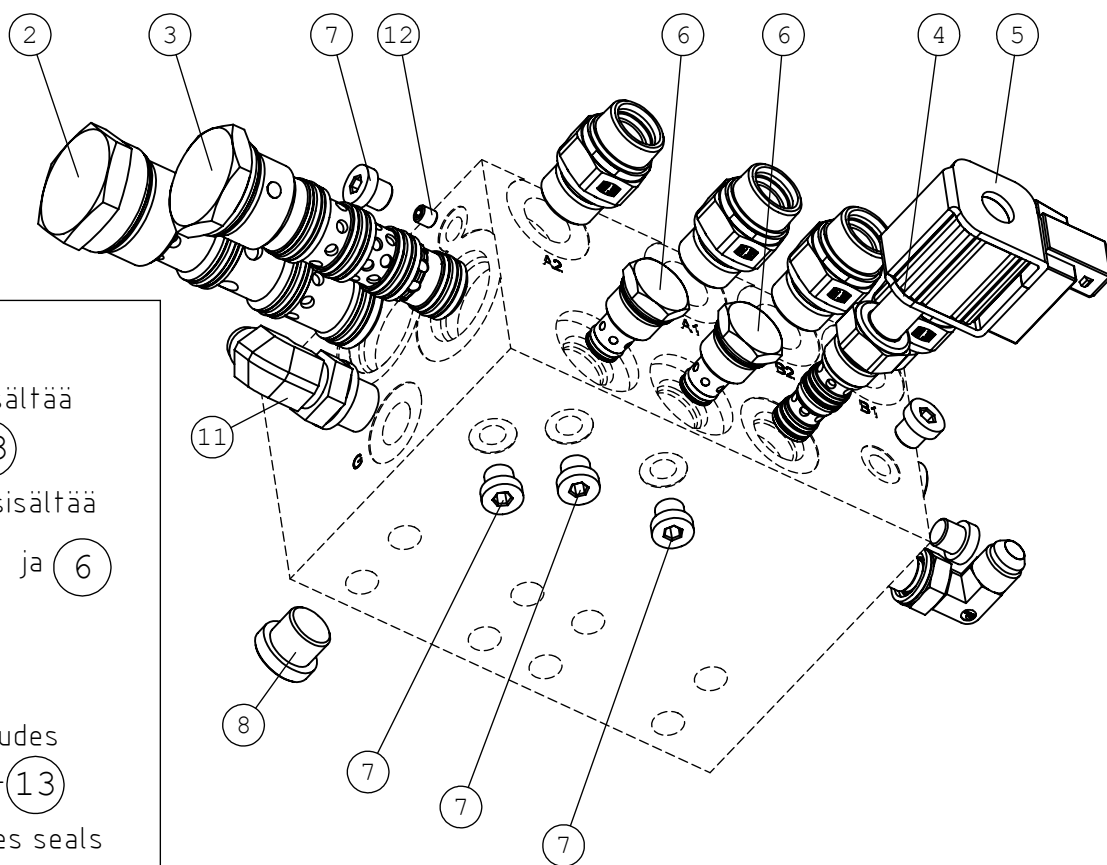
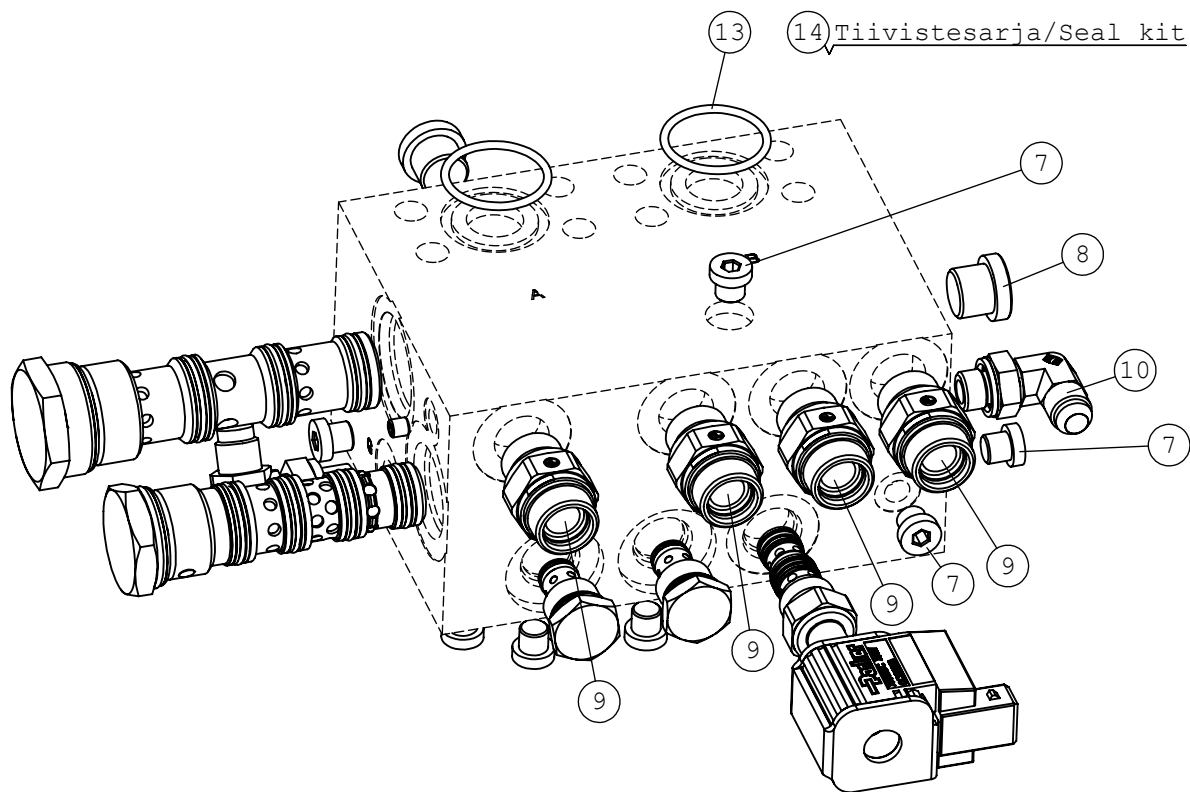
E03 fittings before 2022 week 26

A424303 ANTI SLIP VALVE OPTIDRIVE 500 / 600

REF	PART NO	QTY	DESCRIPTION	NOTES	PAGE
1	A421617	1	HYDRAULIC MANIFOLD, ANTI SLIP VALVE		116
2	75141	8	HEXAGONAL HEAD SCREW M10*110 DIN912 12.9		-
3	A434424	8	SAFETY WASHER M10 3/8"		-
4	A410094	1	HYDR. HOSE L=350		-
5	A429297	1	HYDR. HOSE L=250		-
6	64078	1	L-FITTING BODY R6XS10		-
7	64041	1	BASIC FITTING F40XS10-3/8 /8		-
8	A423466	1	JOYSTICK 8 FUNCTION WITH ANTI SLIP		-

11.8.2023

A421617 HYDRAULIC MANIFOLD, ANTI SLIP VALVE



HUOM!
 Nimike A421617 sisältää osat (2) - (13)
 Tiivistesarja (14) sisältää osien (2), (3), (4) ja (6) tiivisteet

NOTE!
 Item A421617 includes components (2) - (13)
 Seal kit (14) includes seals for components (2), (3), (4) and (6)

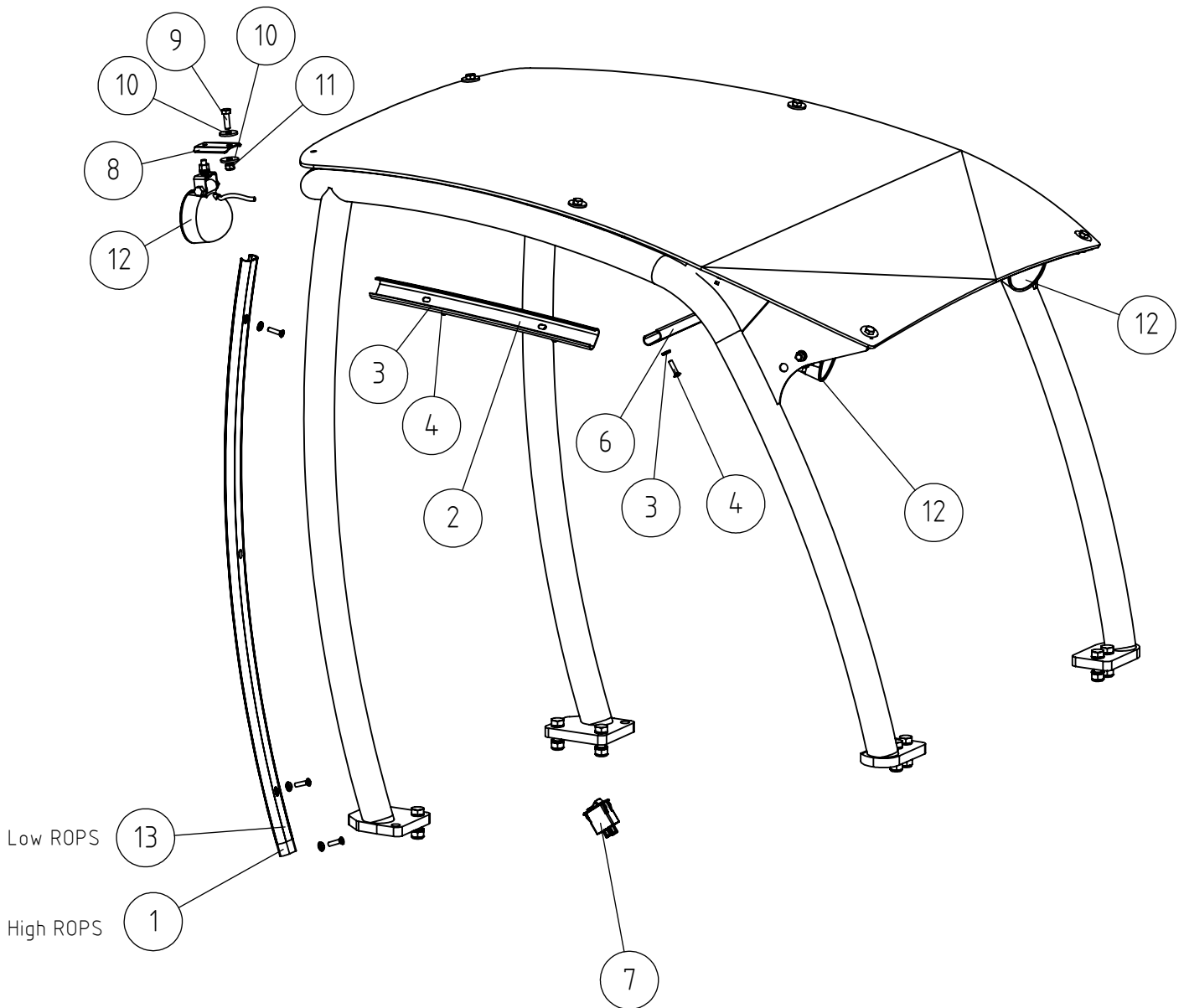
11.8.2023

A421617 HYDRAULIC MANIFOLD, ANTI SLIP VALVE

REF	PART NO	QTY	DESCRIPTION	NOTES	PAGE
1	A421617	1	HYDRAULIC MANIFOLD, ANTI SLIP VALVE		116
2	A428742	1	FLOW DIVIDER VALVE CARTRIDGE 420BAR		-
3	A428740	1	DIVERTER VALVE CARTRIDGE 420BAR		-
4	A428584	1	VALVE CARTRIDGE SPOOL VALVE 3/2		-
5	66452	1	SOLENOID 12VDC/19W		-
6	A428743	2	CHECK VALVE CARTRIDGE 420BAR		-
7	64407	7	HEXAGONAL PLUG R 1/8" WITH PACKING		-
8	74411	2	HEXAGONAL PLUG HF 3/8" HTUNG		-
9	66347	4	BASIC FITTING EO-3 R1/2" - EO3 F24 /2		-
10	64087	1	ELBOW FITTING 90 DEGR. /4#		-
11	64044	1	ELBOW FITTING 90° C40XS10-3/8 /8		-
12	A428739	1	FLOW RESTRICTOR M6/0,7MM		-
13	75113	2	O-RING NBR F 31,42*2,62 90SH		-
14	A428795	1	SEAL KIT HYDRAULIC MANIFOLD A421617		-

11.8.2023

A33916 WORK LIGHT KIT, 3 LED LIGHTS 700 LUMEN



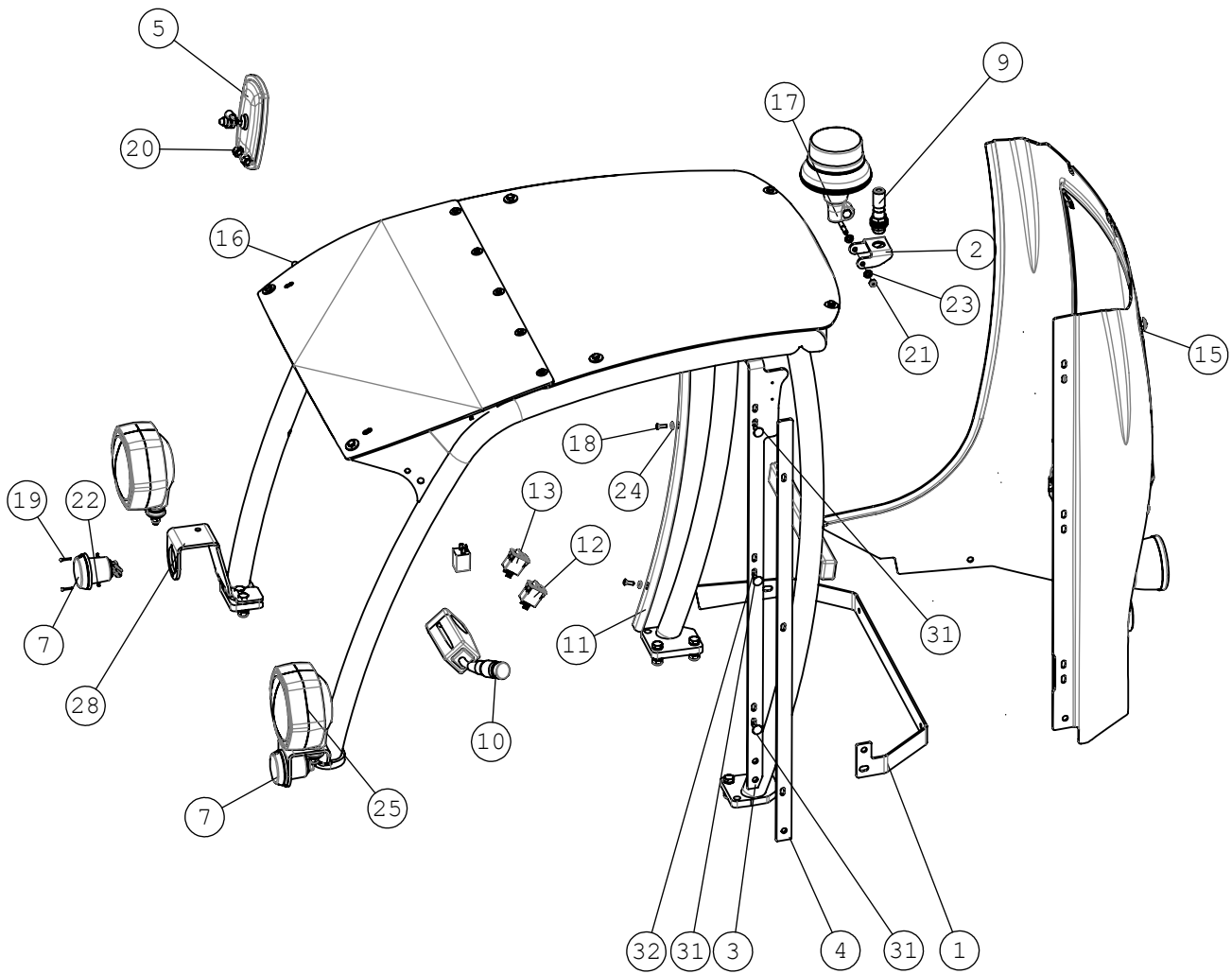
11.8.2023

A33916 WORK LIGHT KIT, 3 LED LIGHTS 700 LUMEN

REF	PART NO	QTY	DESCRIPTION	NOTES	PAGE
1	A49080	1	COVER STRIP, SIDE		-
2	A49079	1	COVER STRIP, MIDDLE		-
3	74768	8	WASHER CONICAL M6		-
4	A426199	8	CROSS-SLOT COUNTRS. HEAD SCREW M6*25		-
5	A33337	1	WIRE HARNESS, WORK LIGHT		-
6	A49077	1	COVER STRIP, UPPER		-
7	65066	1	SWITCH, WORK LIGHT		-
8	A410086	1	BRACKET, WORK LIGHT		-
9	72132	1	HEXAGONAL SCREW M 8*25 DIN 933 ZN		-
10	71685	2	WASHER M8 R9 DIN 440 ZN		-
11	72320	1	HEXAGONAL NUT M8 NYLOC DIN 985		-
12*	66068	3	WORK LIGHT LED 700 LUMEN 12V/12W COBO	700 lumen	-
12**	A419163	3	WORK LIGHT LED 2500 LUMEN WITH CONNECTOR	2500 lumen	-
13	A450714	1	COVER STRIP SIDE SHORT		-

11.8.2023

A33912 ROAD TRAFFIC KIT 500/600 SERIES ROPS



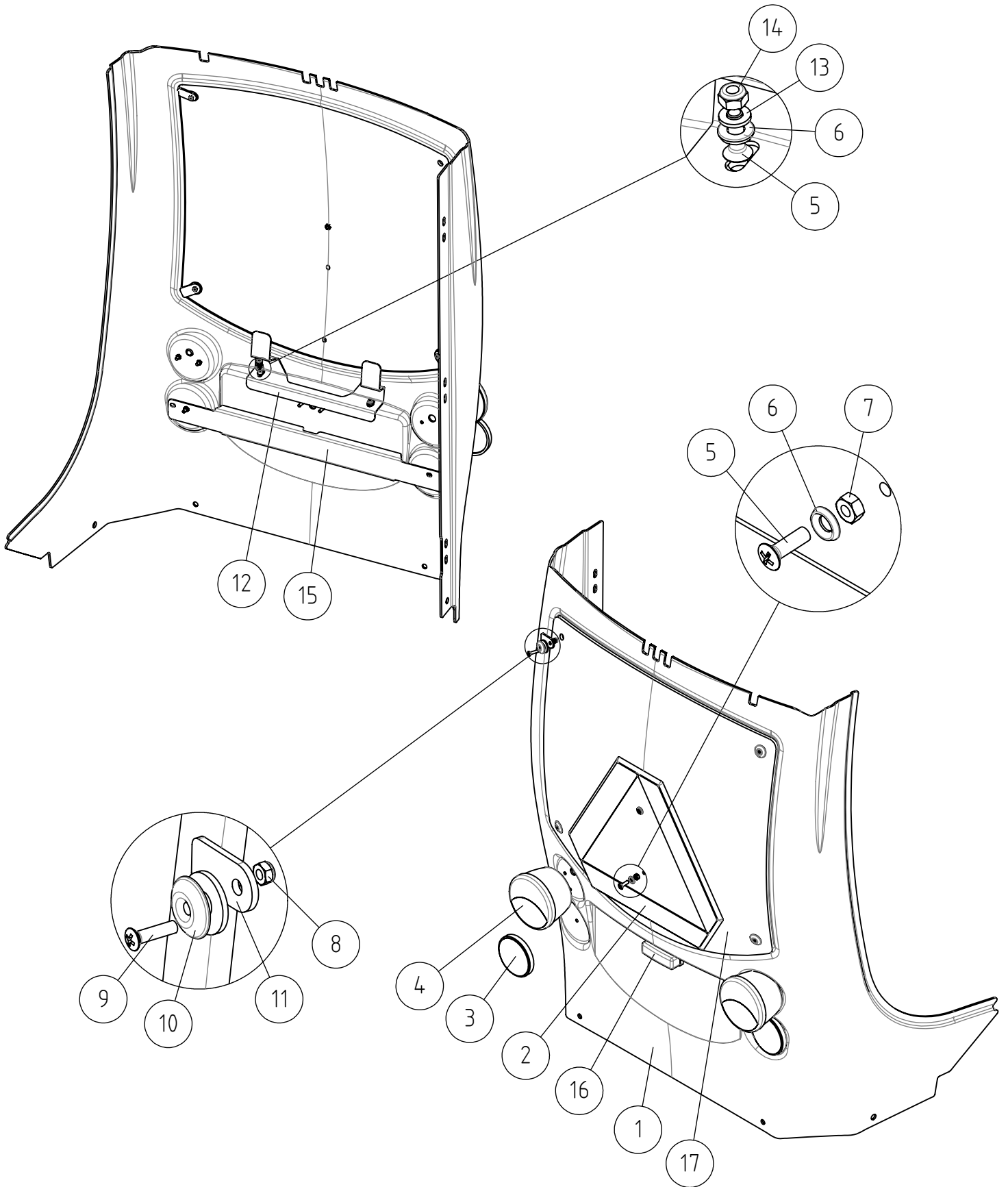
11.8.2023

A33912 ROAD TRAFFIC KIT 500/600 SERIES ROPS

REF	PART NO	QTY	DESCRIPTION	NOTES	PAGE
1	A49356	1	MOUNTING BRACKET, LOWER		-
2	A49059	1	BRACKET, BEACON		-
3	A49354	1	FRAME, INNER		-
4	A49353	1	FRAME, OUTER		-
5	64389	1	SIDE MIRROR CONVEX GLASS 185*135 MM		-
6	64401	2	HALOGEN BULB 12342 H4 12V/60/55W		-
7	64849	2	BLINKER		-
8	A21221	1	WIRE HARNESS, ROAD TRAFFIC LIGHT KIT		-
9	65058	1	BRACKET (PIN), BEACON		-
10	64851	1	LIGHTS/BLINKERS LEVER SWITCH		-
11	A49080	1	COVER STRIP, SIDE		-
12	65065	1	SWITCH, BEACON		-
13	65064	1	SWITCH, WARNING BLINKER		-
14	65036	1	INDICATOR RELAY 12V 170W WEH-53 201 101		-
15	A412565	1	REAR WALL FOR ROAD TRAFFIC LIGHTS		122
16	A411594	1	ARM, SIDE MIRROR		-
17	72143	1	HEX. SCREW M8*80 DIN 931		-
18	74767	3	RAISED COUNTERSUNK HEAD SCREW M6*20		-
19	74778	4	PAN HEAD SCREW M3*20		-
20	72323	2	HEXAGONAL NUT M12 DIN 934		-
21	72320	1	HEXAGONAL NUT M8 NYLOC DIN 985		-
22	74535	4	HEXAGONAL NUT M3		-
23	73122	2	WASHER M8 A8,4 DIN 125 ZN		-
24	74768	3	WASHER CONICAL M6		-
25	A433943	2	HEADLIGHT/POSITION LIGHT HEXAGONAL 12V		-
26	A435335	1	BEACON, WITH LED LIGHT 11W		-
27	A439030	1	MOUNTING BRACKET LEFT HEADLIGHT		-
28	A439031	1	MOUNTING BRACKET RIGHT HEADLIGHT		-
29	A435070	1	SLOW MOVING VEHICLE TRIANGLE 430X45X30		-
30	A49119	1	ROPS FRAME WITH FOPS CANOPY, 600/700 SER		124
31	74836	3	CARRIAGE BOLT M8*20		-
32	74782	3	HEXAGONAL NUT M8 WITH FLANGE		-

11.8.2023

A412565 REAR WALL FOR ROAD TRAFFIC LIGHTS



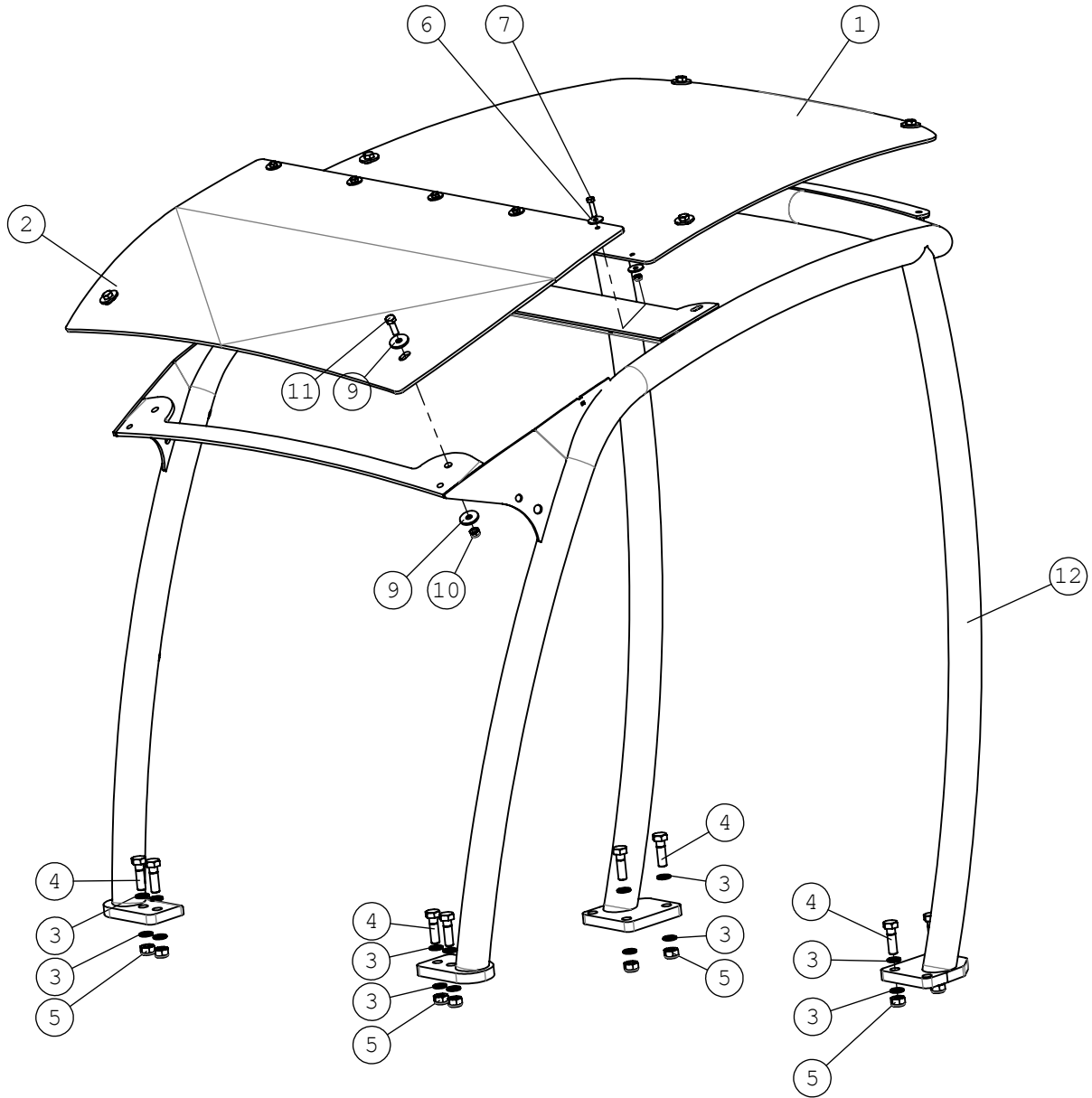
11.8.2023

A412565 REAR WALL FOR ROAD TRAFFIC LIGHTS

REF	PART NO	QTY	DESCRIPTION	NOTES	PAGE
1	A412564	1	COVER PANEL REAR WITHOUT WINDOW		-
2	64733	1	SIGN, SLOW MOVING VEHICLE, RED		-
3	65057	2	REFLECTOR, RED		-
4	65263	2	REAR LIGHT / BLINKER		-
5	74767	4	RAISED COUNTERSUNK HEAD SCREW M6*20		-
6	74768	4	WASHER CONICAL M6		-
7	72317	2	HEXAGONAL NUT M6 DIN 934		-
8	72315	4	NUT M5 NYLOC DIN 985		-
9	74787	4	CROSS HEAD SCREW M5*20		-
10	74788	4	FASTENER, WINDOW, F25/F5-13		-
11	A410059	4	HOLDER		-
12	A412146	1	BRACKET, WARNING TRIANGLE		-
13	71680	2	WASHER M6 DIN 125		-
14	72318	2	HEXAGONAL NUT M 6 DIN 985 NYLOC		-
15	A412143	1	CABLE STRIP		-
16	A411791	1	LIGHT, LICENCE PLATE		-
17	A413489	1	REAR WINDOW		-

11.8.2023

A49119 ROPS FRAME WITH FOPS CANOPY, 600/700 SER



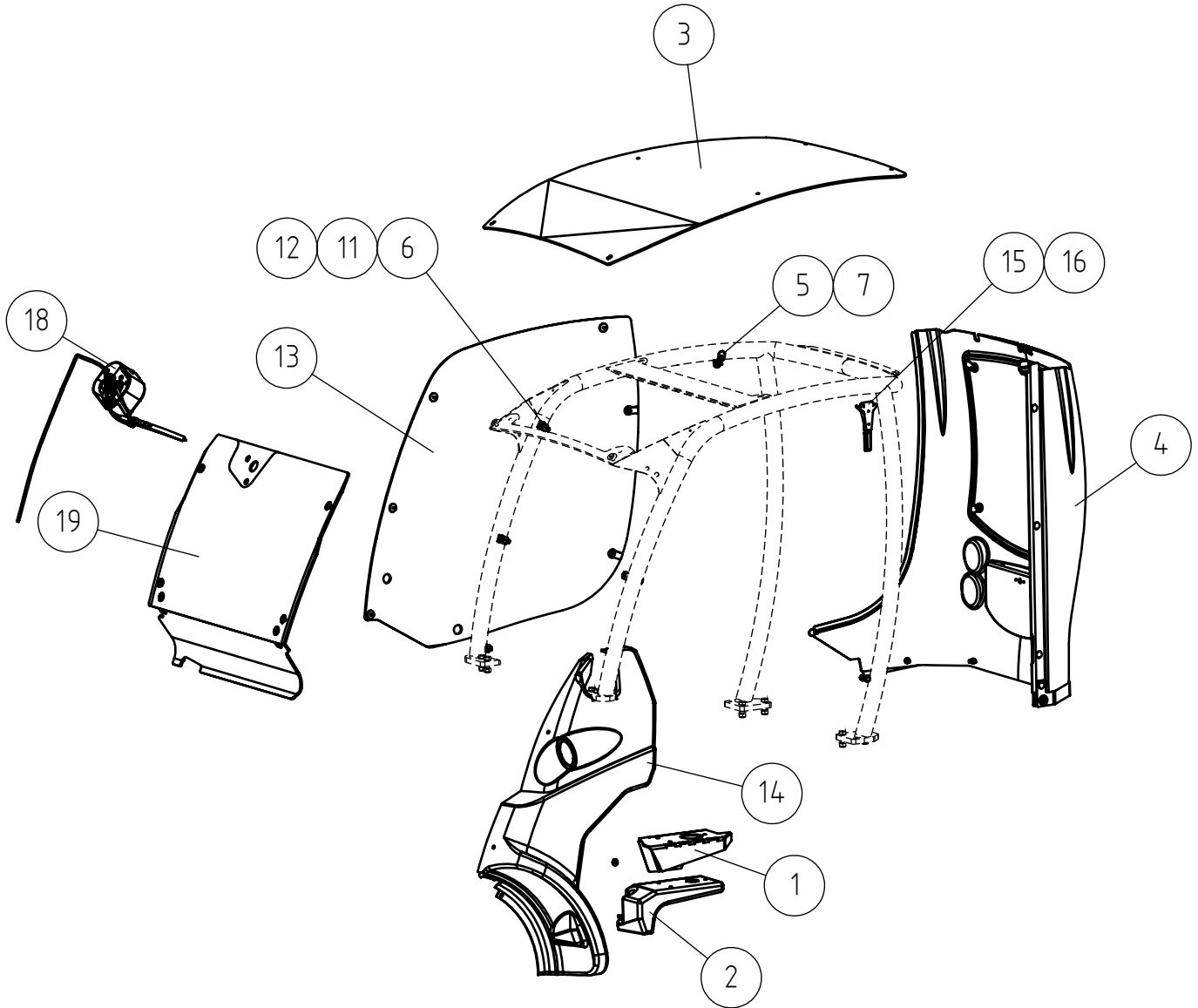
11.8.2023

A49119 ROPS FRAME WITH FOPS CANOPY, 600/700 SER

REF	PART NO	QTY	DESCRIPTION	NOTES	PAGE
1	A48905	1	FOPS CANOPY PLATE 500/600/700		-
2	A48909	1	CANOPY, SHORT, POLYCARBONATE (WITH FOPS)		-
3	74532	16	WASHER NORDLOCK NL12		-
4	73322	8	HEXAGONAL SCREW M12*40 DIN 931		-
5	72324	8	HEXAGONAL NUT M 12 NYLOC DIN 985		-
6	71681	10	WASHER M6 DIN 440		-
7	72119	5	HEXAGONAL SCREW M6*25 DIN 933 ZN		-
8	72318	5	HEXAGONAL NUT M 6 DIN 985 NYLOC		-
9	71685	12	WASHER M8 R9 DIN 440 ZN		-
10	72320	6	HEXAGONAL NUT M8 NYLOC DIN 985		-
11	72132	6	HEXAGONAL SCREW M 8*25 DIN 933 ZN		-
12	A33920	1	ROPS FRAME 1090 MM 600/700 SERIES		-

11.8.2023

A443905 CAB L, 500-700 SERIES



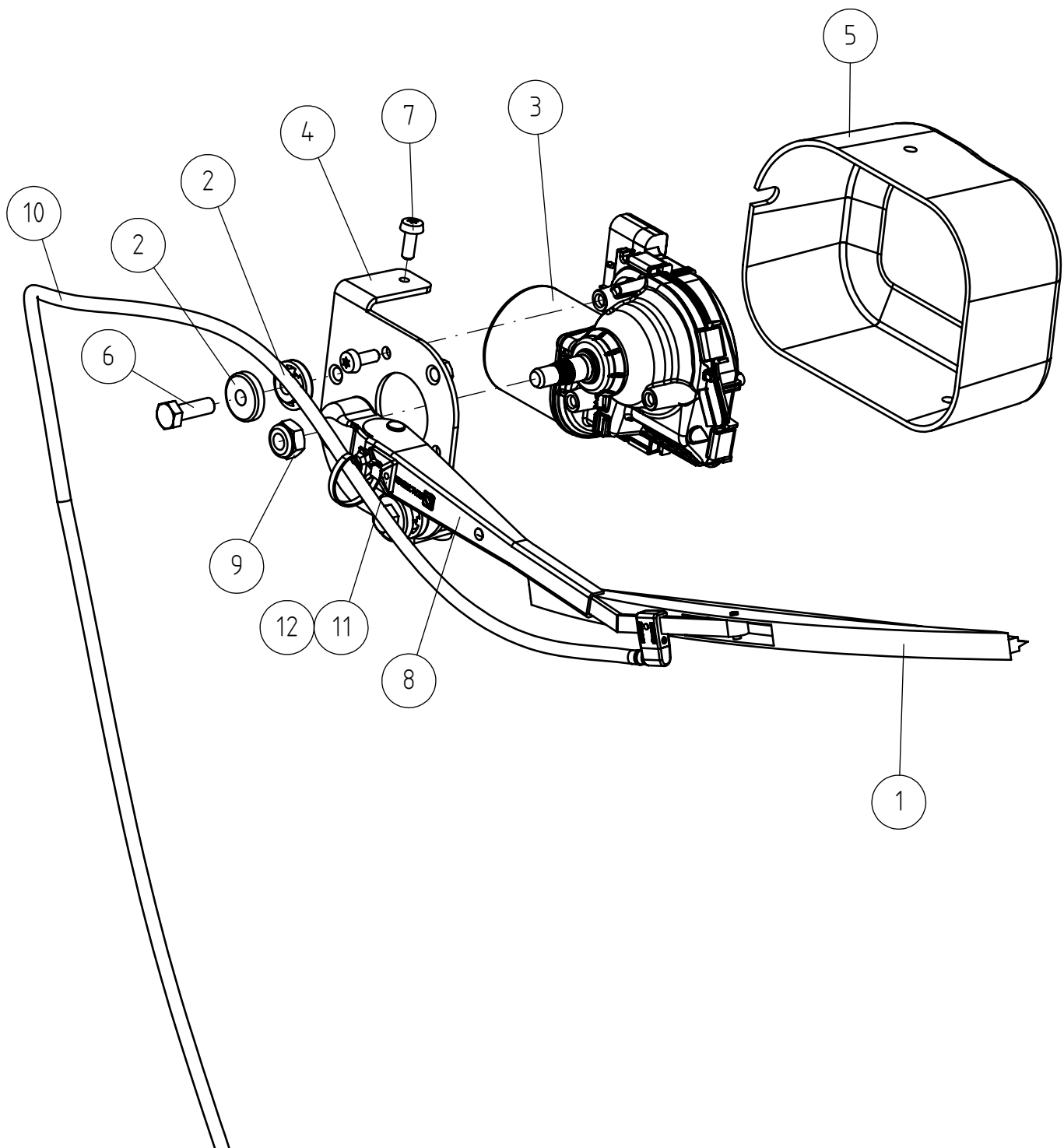
11.8.2023

A443905 CAB L, 500-700 SERIES

REF	PART NO	QTY	DESCRIPTION	NOTES	PAGE
1	A415799	1	STEP, CAB L, 500-700 SERIES		-
2	A33448	1	WINDSCREEN WASHER		-
3	A410091	1	CANOPY, POLYCARBONATE		-
4	A49446	1	REAR WALL WITH WINDOW 500/600/700/R/E		-
5	A49699	4	MOUNTING BRACKET ONE SIDED		-
6	A49698	2	MOUNTING BRACKET TWO SIDED		-
7	75172	4	SPEED NUT M5 FOR 0.5-4.0 MM PLATE		-
8	72320	1	HEXAGONAL NUT M8 NYLOC DIN 985		-
9	72133	1	HEXAGONAL SCREW M8*30 DIN 933		-
10	73122	2	WASHER M8 A8,4 DIN 125 ZN		-
11	73766	6	HEXAGONAL HEAD SCREW M6*16 DIN 912 2 8.8		-
12	71680	6	WASHER M6 DIN 125		-
13	A49451	1	WINDOW, RIGHT, COMPLETE, CAB L 500-700		-
14	A416315	1	COVER PLATE, FRONT LEFT, L CAB		-
15	64986	1	EMERGENCY HAMMER HAPPICH RED		-
16	A432729	1	BRACKET, EMERGENCY HAMMER 64986		-
17	A411021	1	DECAL "EMERGENCY EXIT"		-
18	A443979	1	WINDSCREEN WIPER ASSEMBLY CAB L 523-760I		128
19	A443961	1	WINDSCREEN ASSEMBLY CAB L 500/600/700/E		-
20	A441037	1	WIRE HARNESS CAB L AVANT 700-800		-

11.8.2023

A443979 WINDSCREEN WIPER ASSEMBLY CAB L 523-760I



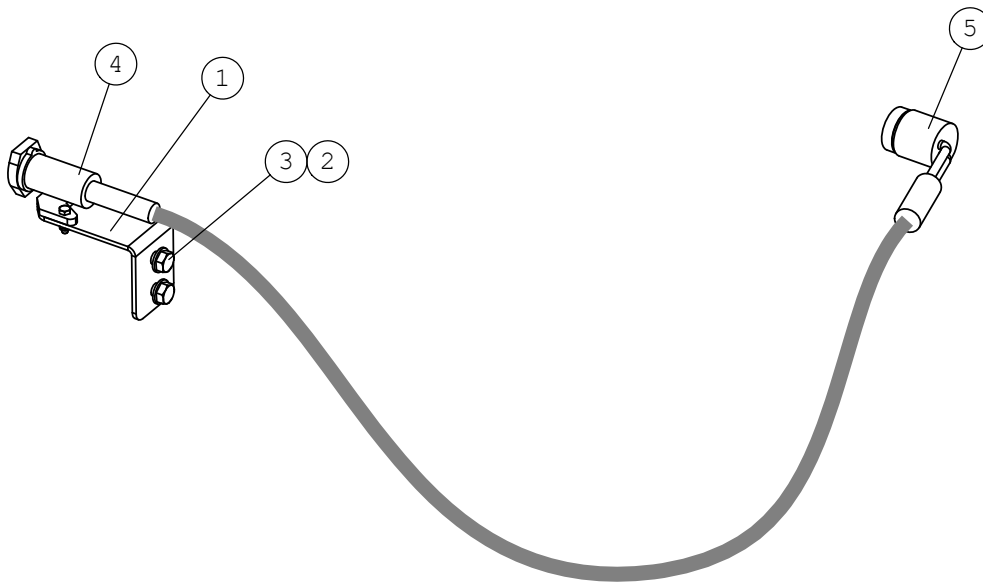
11.8.2023

A443979 WINDSCREEN WIPER ASSEMBLY CAB L 523-760I

REF	PART NO	QTY	DESCRIPTION	NOTES	PAGE
1	A440135	1	WIPER BLADE L=400MM		-
2	A441784	4	BUSHING PLASTIC D16,9/D8 - L8,1		-
3	A446829	1	ELECTRIC MOTOR PROGRAMMED WINDSCREEN		-
4	A440457	1	BRACKET MOTOR WINDSCREEN WIPER		-
5	A440716	1	COVER MOTOR WINDSCREEN WIPER		-
6	A427795	2	HEXAGONAL SCREW M8*25 DIN 933 8.8		-
7	A437544	4	THREAD-FORMING SCREW BLACK M6*16 DIN		-
8	A443799	1	ARM, WINDSCREEN WIPER M10 L=302 WITH		-
9	72322	1	HEXAGONAL NUT M 10 NYLOC DIN 985		-
10	A460684	1	HOSE WINDSCREEN WASHER CAB L		-
11	A455710	1	SOCKET ADHESIVE 19X19 CABLE TIE		-
12	A431459	1	CABLE TIE 3,6*281 BLACK		-

11.8.2023

A425277 ENGINE BLOCK HEATER, KIT, 423/523



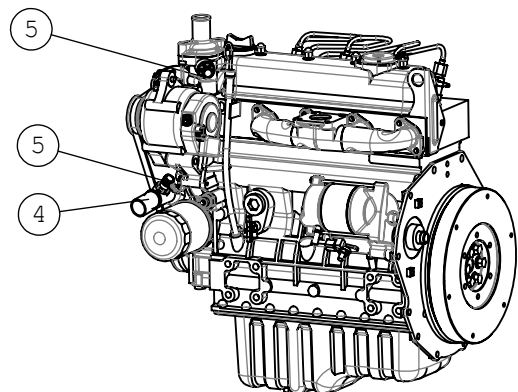
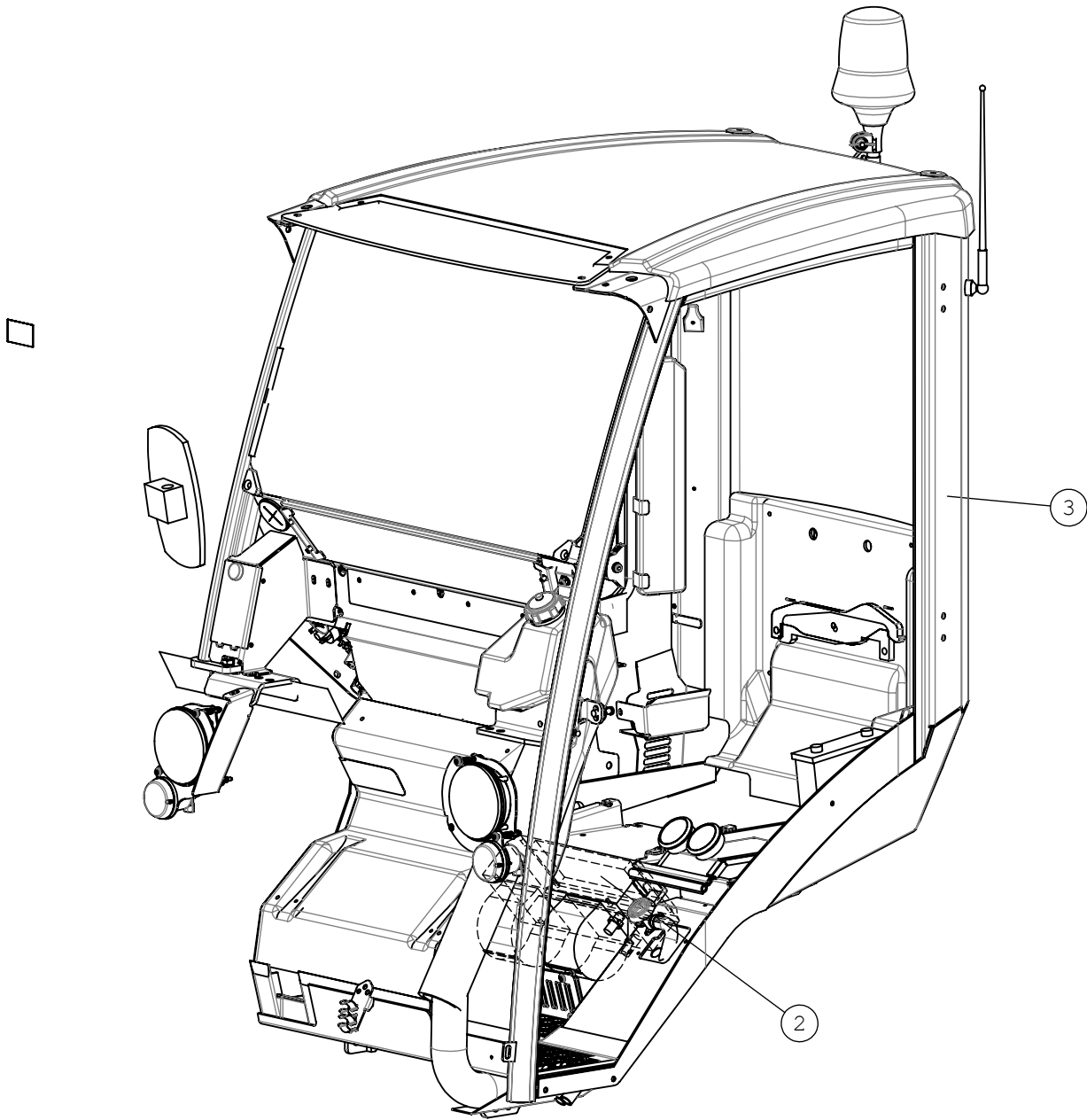
11.8.2023

A425277 ENGINE BLOCK HEATER, KIT, 423/523

REF	PART NO	QTY	DESCRIPTION	NOTES	PAGE
1	A423523	1	MOUNTING BRACKET, SOCKET ENGINE HEATER		-
2	73122	4	WASHER M8 A8,4 DIN 125 ZN		-
3	72130	2	HEXAGONAL SCREW M8*20		-
4	64470	1	CONNECTING LEAD DEFA 460992 BLOCK HEATER		-
5	65727	1	HEATER ELEMENT 300W, ENGINE BLOCK HEATER		-
6	73458	2	HEX. SCREW M4*16 DIN 933 ZN		-
7	72313	2	HEXAGONAL NUT M4 DIN 985 NYLOC		-
8	72319	2	HEXAGONAL NUT M8 DIN 934		-
9	65171	1	CONNECTING CABLE 2,5 M ENGINE BLOCK HEAT		-

11.8.2023

A21590 CAB DLX 500/600 SERIES



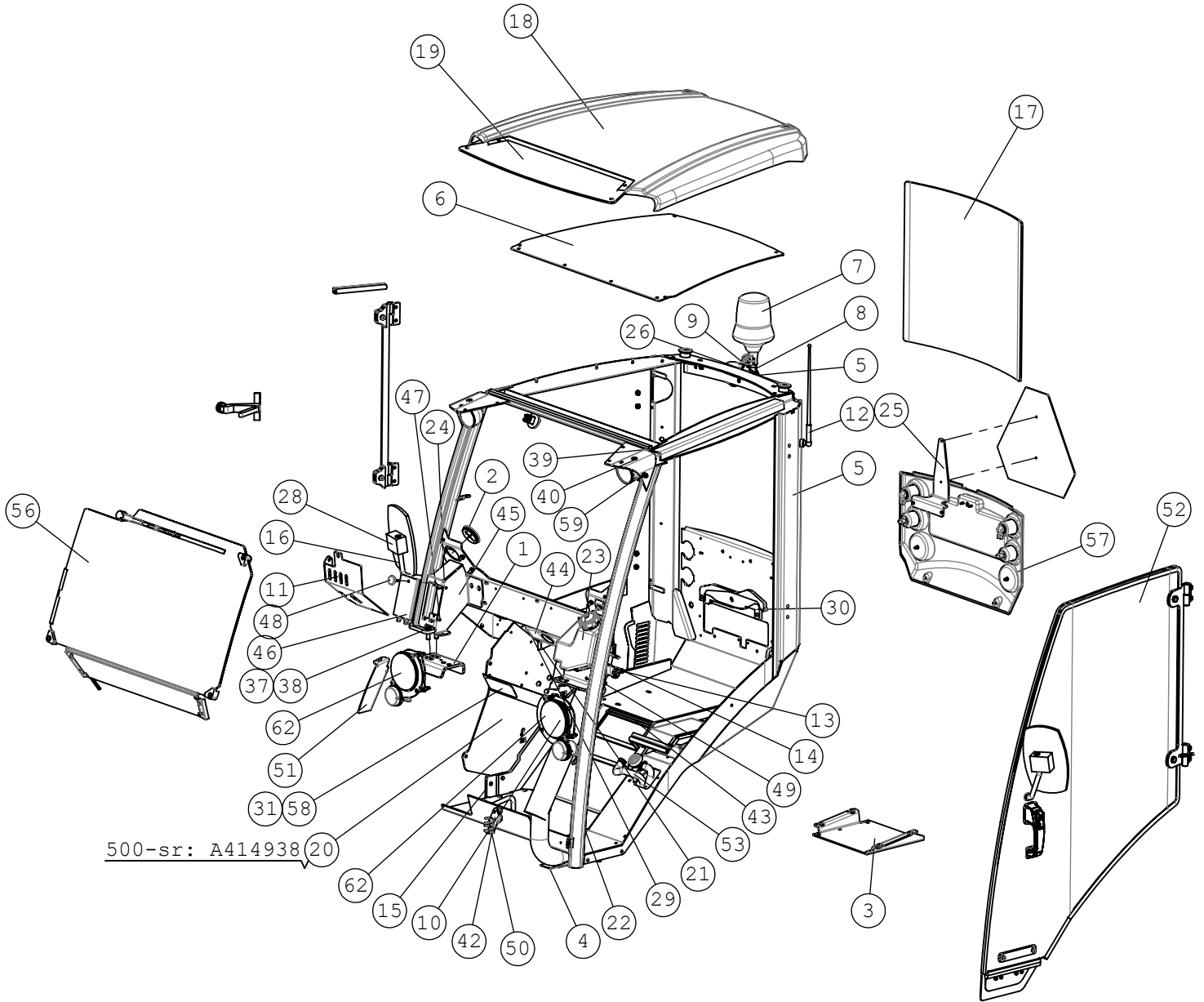
11.8.2023

A21590 CAB DLX 500/600 SERIES

REF	PART NO	QTY	DESCRIPTION	NOTES	PAGE
1	A34854	1	WIRE HARNESS, HEATER, CAB		-
2	65578	1	HEATER KALORI		-
3	A21708	1	CAB DLX, ASSEMBLY		134
4	A47996	1	TUBE, HEATER		-
5	64967	2	HOSE BARB R3/8"UK - 16MM L=44		-
6	A49768	1	WATER PIPE, LOWER		-

11.8.2023

A21708 CAB DLX, ASSEMBLY



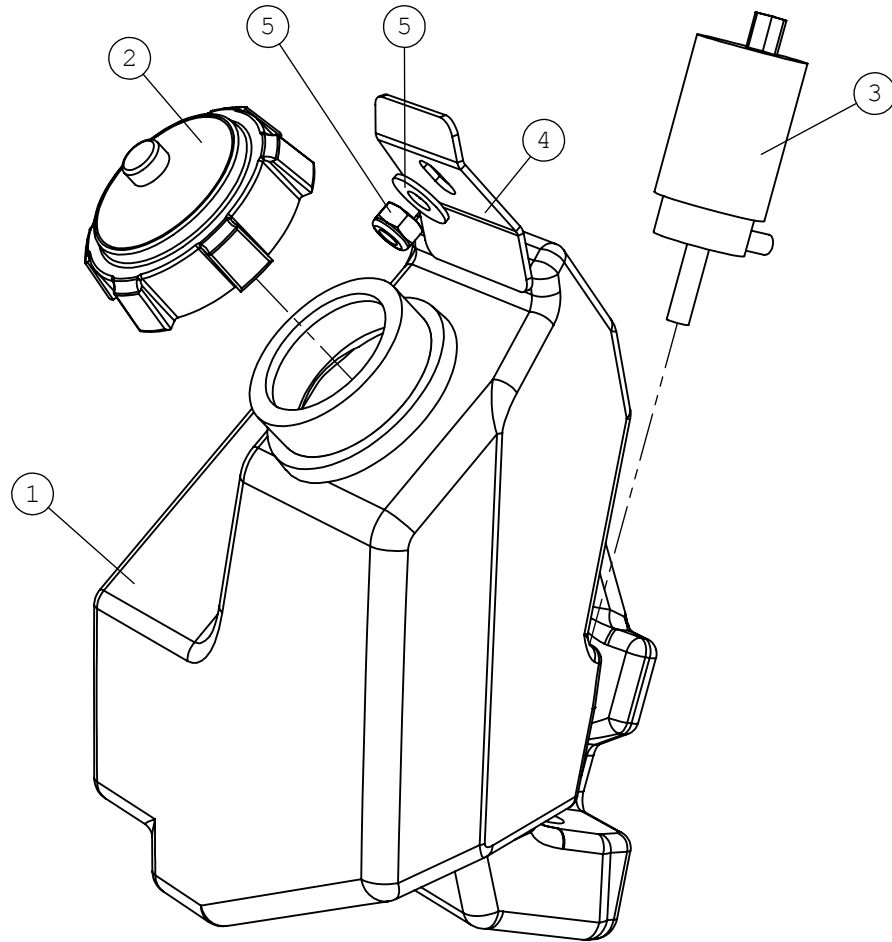
11.8.2023

A21708 CAB DLX, ASSEMBLY

REF	PART NO	QTY	DESCRIPTION	NOTES	PAGE
1	A411645	1	BRACKET		-
2	A410681	1	GROMMET		-
3	A411777	1	SEAT BASE		-
4	A411862	1	COVER PLATE		-
5	A21419	1	FRAME, CAB		-
6	A411946	1	FOPS ROOF		-
7	64978	1	BEACON 12VDC		-
8	65058	1	BRACKET (PIN), BEACON		-
9	A412068	1	BRACKET, BEACON, CAB DLX		-
10	A412076	1	PARTITION WALL		-
11	A412247	1	COVER PLATE		-
12	64997	1	AERIAL HIRSCHMANN L=350		-
13	64979	1	PIN, DOOR LOCK		-
14	64980	1	GUIDE PLATE, LOCK		-
15	A412322	1	PLATE		-
16	A412400	1	ARM, RIGHT, SIDE MIRROR		-
17	A411848	1	WINDOW, REAR, CAB DLX		-
18	A412312	1	COVER PLATE, ROOF, CAB DLX		-
19	A411933	1	VISOR, CAB DLX		-
20	A412181	1	SIDE PLATE, CAB LX/DLX		-
21	A412471	1	COVER PLATE, CONTROL LEVERS, CAB DLX		-
22	A412482	1	FLOOR PLATE, CAB DLX		-
23	A412488	1	TANK, COMPLETE, WINDSCREEN WASHER		136
24	72324	2	HEXAGONAL NUT M 12 NYLOC DIN 985		-
25	A412928	1	BRACKET, WARNING TRIANGLE		-
26	A412930	2	WASHER		-
27	A412500	1	DECAL, CONTROL LEVERS		-
28	64975	1	SIDE MIRROR CONVEX GLASS 260*166MM		-
29	A413249	1	LOCKING PLATE, CONTROL LEVER		-
30	A47248	1	FRAME LOCK		-
31	A413521	1	DECAL, FOOTWELL, CAB DLX		-
32	64188	3	FINGER SCREW R5026M8S		-
33	A47713	1	SERVICE SUPPORT, LIFT CYLINDER		-
34	72139	1	HEXAGONAL SCREW M 8*60 DIN 931		-
35	A413883	1	DECAL, WINDSCREEN WASHER TANK		-
36	A413760	1	DECAL FOPS/ROPS		-
37	74532	2	WASHER NORDLOCK NL12		-
38	73322	2	HEXAGONAL SCREW M12*40 DIN 931		-
39	A415498	1	WEATHER STRIP, ROOF, CAB LX/DLX		-
40	74525	1	WASHER M8 8,4*20*1,25 ZN		-
41	A21554	1	WIRE HARNESS, CAB DLX		-
42	A415022	1	BRACKET, SPRING, CAB		-
43	A415017	1	WEATHER STRIP, HEATER, CAB		-
44	65640	1	LIGHTS/WINDSCREEN WIPER LEVER SWITCH		-
45	A414827	1	BOX, FUSE BOX, CAB LX		-
46	A414830	1	LID, FUSE COMPARTMENT, CAB LX/DLX		-
47	A414828	1	MOUNTING PLATE, FUSE BOX, CAB LX		-
48	64941	1	FINGER SCREW M6*20 R3015RM620S		-
49	65665	1	DOOR SWITCH, CAB		-
50	74860	2	CLAMP F25-F27		-
51	A414801	1	EDGE PLATE		-
52	A35735	1	DOOR, COMPLETE, CAB LX A21517		138
53	A21706	1	HEATER UNIT, COMPLETE, CAB DLX		142
54	A21705	1	UPHOLSTERY, COMPLETE, CAB DLX		144
55	A415801	1	WINDOW COMPL. RIGHT SIDE, CAB LX A21517		-
56	A21707	1	WINDSCREEN ASSEMBLY, CAB DLX		148
57	A21709	1	REAR WALL, ASSEMBLY, CAB DLX		-
58	A415562	1	DECAL, EMPTY CAB DLX		-
59*	66068	3	WORK LIGHT LED 700 LUMEN 12V/12W COBO	700 lumen	-
59**	A419163	3	WORK LIGHT LED 2500 LUMEN WITH CONNECTOR	2500 lumen	-
60	A415030	1	WIRE HARNESS 2-SPEED/BRAKE/ANTISLIP CAB		-
61	64802	1	SEAT BELT 3-POINT		-
62	A421890	1	HEADLIGHTS, ROAD TRAFFIC KIT CAB DLX		150
63	A430876	1	DECAL KIT CAB LX/DLX		-

11.8.2023

A412488 TANK, COMPLETE, WINDSCREEN WASHER

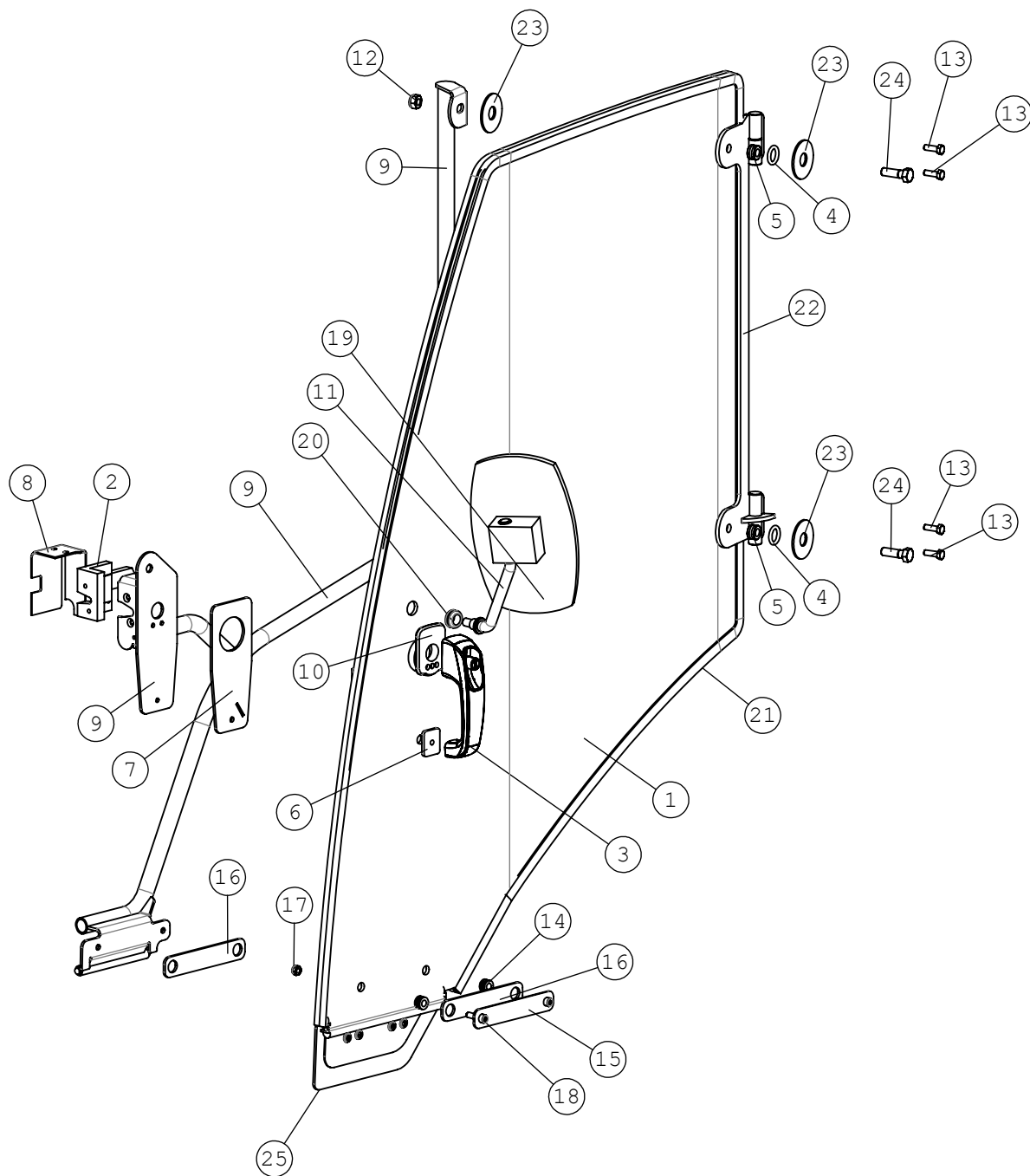


11.8.2023

A412488 TANK, COMPLETE, WINDSCREEN WASHER

REF	PART NO	QTY	DESCRIPTION	NOTES	PAGE
1	A411998	1	TANK, WINDSCREEN WASHER		-
2	64855	1	FUEL TANK CAP		-
3	65017	1	PUMP 12V, WINDSCREEN WASHER		-
4	A412153	1	BRACKET		-
5	72320	1	HEXAGONAL NUT M8 NYLOC DIN 985		-
6	74525	1	WASHER M8 8,4*20*1,25 ZN		-

A35735 DOOR, COMPLETE, CAB LX A21517



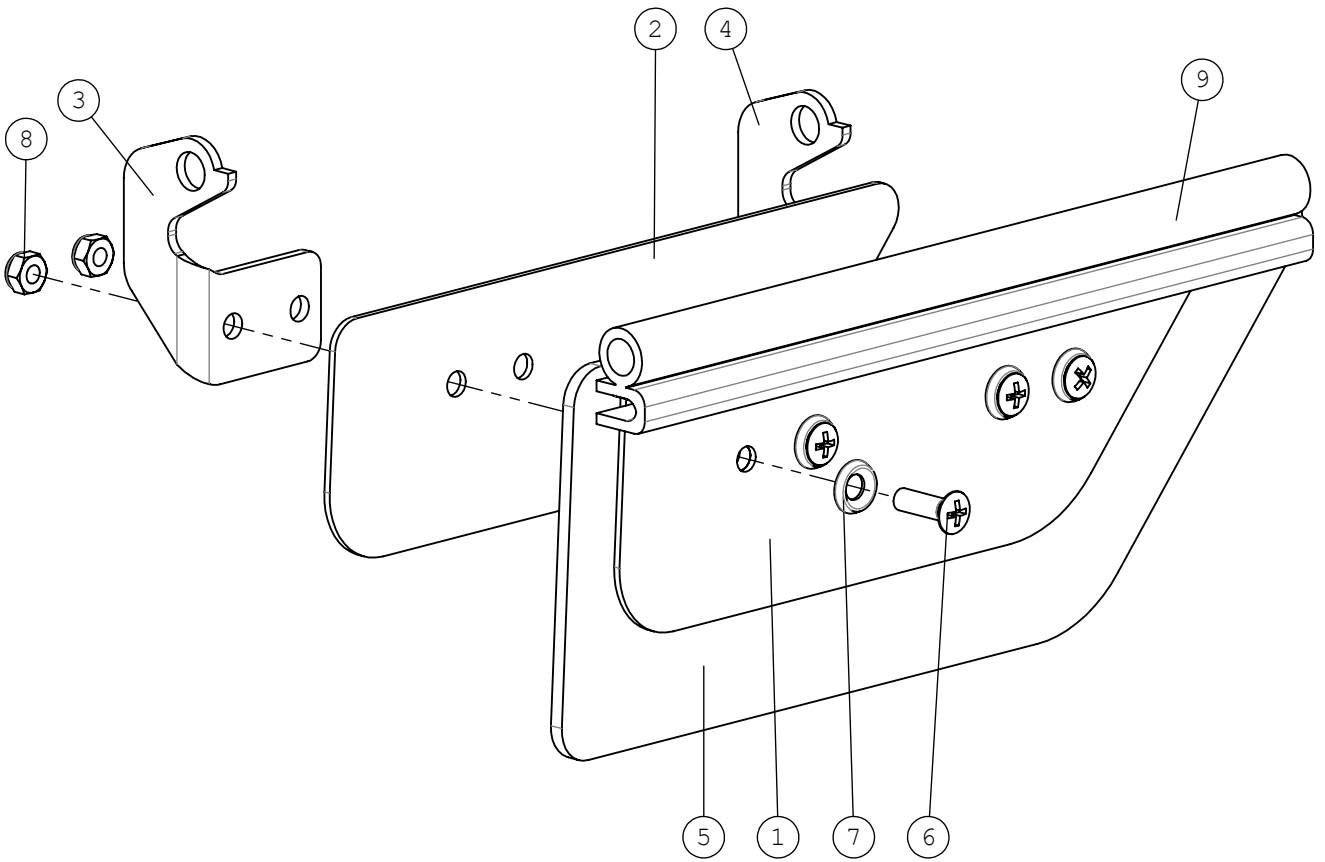
11.8.2023

A35735 DOOR, COMPLETE, CAB LX A21517

REF	PART NO	QTY	DESCRIPTION	NOTES	PAGE
1	A411823	1	DOOR PLATE, SAFETY GLASS, CAB DLX & GT		-
2	64981	1	LOCK BODY		-
3	65025	1	HANDLE, DOOR, CAB		-
4	74856	2	O-RING NBR F 20,0 * 5,0 70SH		-
5	A412329	2	BUSHING		-
6	65026	1	SUBPLATE, DOOR HANDLE 20325-01		-
7	A47957	1	PLATE		-
8	A412344	1	COVER PLATE		-
9	A34859	1	FRAME, DOOR, CAB DLX & GT		-
10	65027	1	SUBPLATE, DOOR HANDLE		-
11	A412476	1	ARM, LEFT, SIDE MIRROR		-
12	72324	3	HEXAGONAL NUT M 12 NYLOC DIN 985		-
13	72132	4	HEXAGONAL SCREW M 8*25 DIN 933 ZN		-
14	64985	2	GROMMET F19/13/10,S=5H=11		-
15	A412477	1	SUPPORT PLATE		-
16	A412478	2	RUBBER PLATE		-
17	72320	2	HEXAGONAL NUT M8 NYLOC DIN 985		-
18	73100	2	HEXAGONAL HEAD SCREW M8*30 DIN 912 2		-
19	64975	1	SIDE MIRROR CONVEX GLASS 260*166MM		-
20	65539	1	GROMMET F27/21/16		-
21	A415358	1	WEATHER STRIP, DOOR, CAB LX/DLX		-
22	A414537	1	HINGE, LOWER, DOOR, CAB		-
23	A412327	4	RUBBER WASHER		-
24	73322	2	HEXAGONAL SCREW M12*40 DIN 931		-
25	A434225	1	DOOR, LOWER PART CAB LX/DLX		140

11.8.2023

A434225 DOOR, LOWER PART CAB LX/DLX



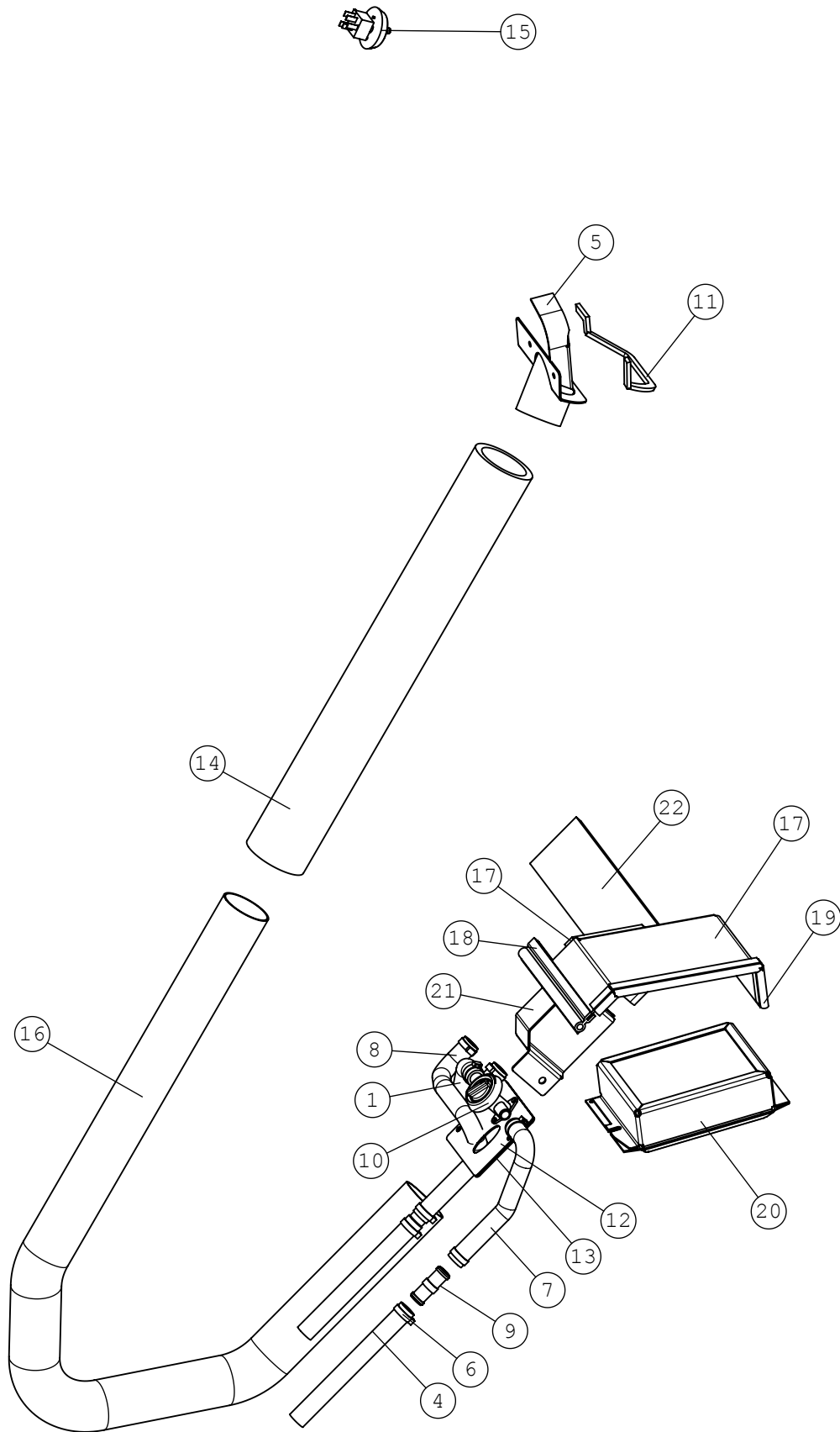
11.8.2023

A434225 DOOR, LOWER PART CAB LX/DLX

REF	PART NO	QTY	DESCRIPTION	NOTES	PAGE
1	A411828	1	SUPPORT PLATE, OUTSIDE		-
2	A411832	1	SUPPORT PLATE		-
3	A411834	1	HINGE, RIGHT		-
4	A411835	1	HINGE, LEFT		-
5	A411836	1	RUBBER PLATE, LOWER, CAB DOOR		-
6	74767	4	RAISED COUNTERSUNK HEAD SCREW M6*20		-
7	74768	4	WASHER CONICAL M6		-
8	72318	4	HEXAGONAL NUT M 6 DIN 985 NYLOC		-
9	A434221	1	WEATHER STRIP DOOR CAB L=250		-

11.8.2023

A21706 HEATER UNIT, COMPLETE, CAB DLX



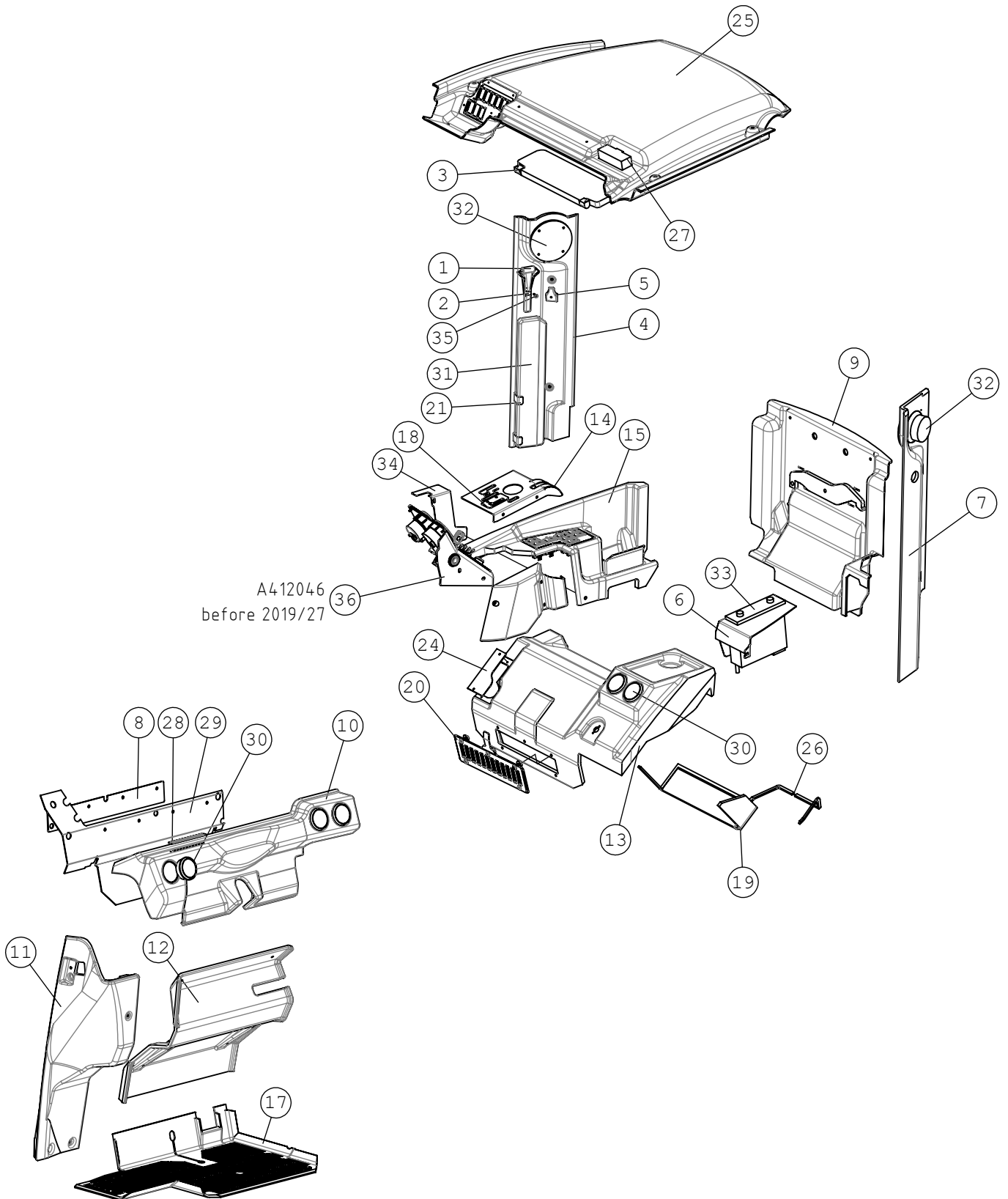
11.8.2023

A21706 HEATER UNIT, COMPLETE, CAB DLX

REF	PART NO	QTY	DESCRIPTION	NOTES	PAGE
1	A412438	1	HOSE, LOWER		-
2	A34854	1	WIRE HARNESS, HEATER, CAB		-
3	A412500	1	DECAL, CONTROL LEVERS		-
4	A413221	2	HOSE, HEATER, CAB		-
5	A413370	1	AIR NOZZLE, CAB DLX		-
6	65530	8	PIPE CLAMP KALORI		-
7	A412437	1	HOSE, UPPER, HEATER, CAB DLX		-
8	A413939	1	HOSE, UPPER, CAB DLX		-
9	65558	2	PIPE CONNECTOR		-
10	65514	1	THERMOSTAT, HEATER, CAB		-
11	A416334	1	WEATHER STRIP, DASHBOARD, CAB		-
12	A414871	1	RUBBER PLATE, AIR INTAKE, CAB		-
13	A414875	1	SUPPORT PLATE, AIR INTAKE, CAB LX/DLX		-
14	A416219	1	HEAT ISOLATOR, TUBE, HEATER CAB DLX		-
15	65513	1	ROTARY SWITCH, FAN, CAB		-
16	A411776	1	PIPE, HEATER		-
17	A414274	1	LID		-
18	A413846	1	WEATHER STRIP, AIR HOSE, CAB DLX		-
19	A415020	1	WEATHER STRIP, CAB LX/DLX		-
20	A411787	1	AIR FILTER, CAB, COMPLETE		-
21	A414271	1	BOX, AIR INTAKE		-
22	A413310	1	INSULATION, HEATER		-
23	A413844	1	WEATHER STRIP, FAN, CAB DLX		-

11.8.2023

A21705 UPHOLSTERY, COMPLETE, CAB DLX



11.8.2023

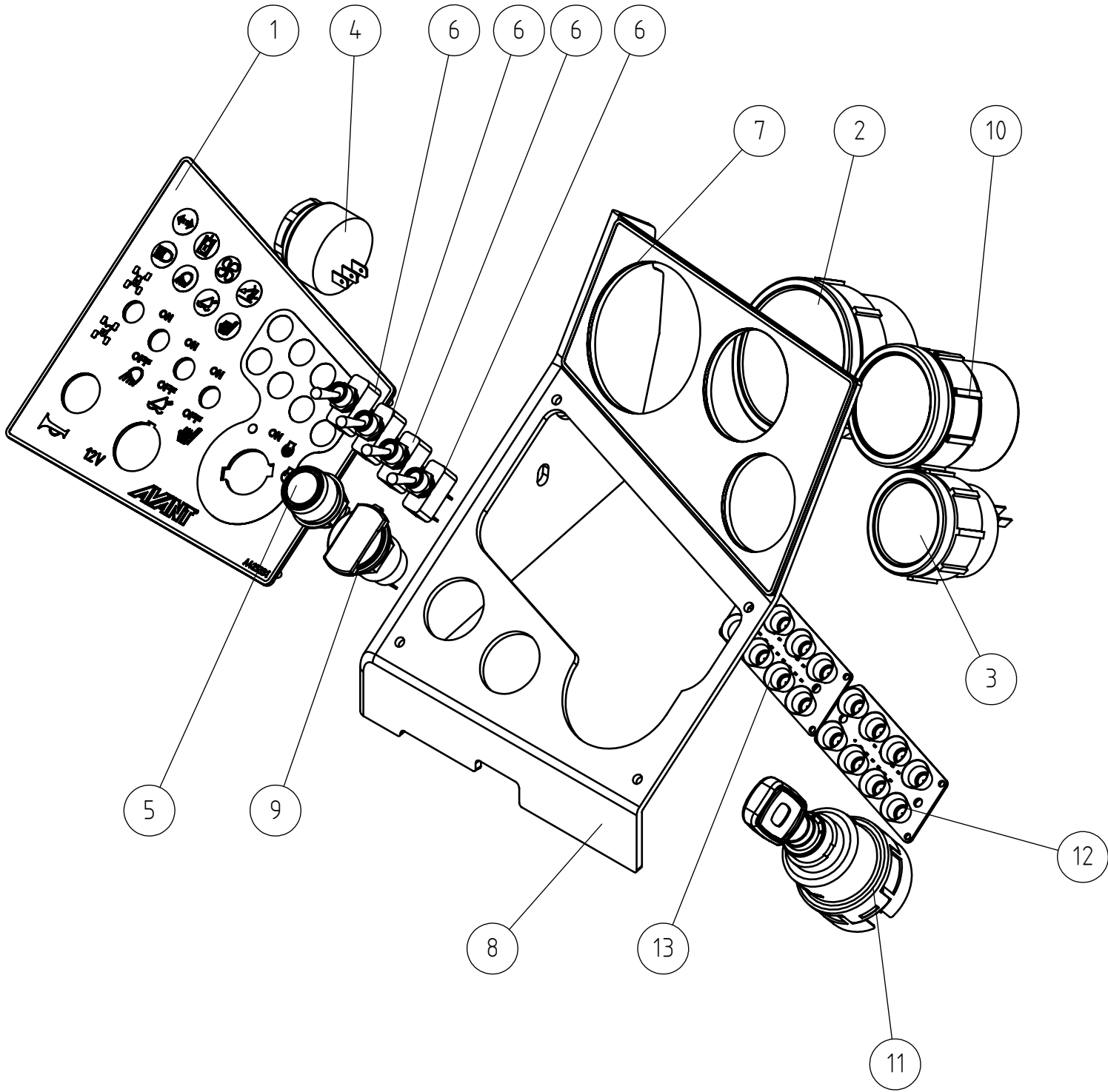
A21705 UPHOLSTERY, COMPLETE, CAB DLX

REF	PART NO	QTY	DESCRIPTION	NOTES	PAGE
1	64986	1	EMERGENCY HAMMER HAPPICH RED		-
2	A432729	1	BRACKET, EMERGENCY HAMMER 64986		-
3	64990	1	SUN VISOR HAPPICH GREY		-
4	A412112	1	UPHOLSTERY PANEL, COLUMN RIGHT		-
5	65035	1	COAT HOOK, PLASTIC, BLACK		-
6	A411845	1	BOX, RADIO		-
7	A412227	1	UPHOLSTERY PANEL, COLUMN LEFT		-
8	A412275	1	STRIP		-
9	A411778	1	UPHOLSTERY PLATE, REAR WALL, CAB DLX		-
10	A412035	1	UPHOLSTERY PLATE, INSTRUMENT PANEL, CAB		-
11	A411687	1	UPHOLSTERY PLATE, LEFT SIDE, CAB DLX		-
12	A412358	1	UPHOLSTERY PLATE, FOOTWELL, CAB DLX		-
13	A411726	1	UPHOLSTERY PANEL, HEATER, CAB DLX		-
14	A412471	1	COVER PLATE, CONTROL LEVERS, CAB DLX		-
15	A412938	1	CONTROL SWITCH PANEL		-
16	A412500	1	DECAL, CONTROL LEVERS		-
17	A413222	1	FLOOR MAT		-
18	A413249	1	LOCKING PLATE, CONTROL LEVER		-
19	A413310	1	INSULATION, HEATER		-
20	A413430	1	GRILL, AIR CIRCULATION, CAB DLX		-
21	A413520	1	MOUNTING BRACKET WARNING TRIANGLE CAB		-
22	A413883	1	DECAL, WINDSCREEN WASHER TANK		-
23	A413760	1	DECAL FOPS/ROPS		-
24	A415043	1	PANEL PLATE CAB DLX		-
25	A35560	1	INNER CEILING, ASSEMBLY, CAB DLX		-
26	A415017	1	WEATHER STRIP, HEATER, CAB		-
27	65654	1	INTERIOR LAMP 12V 10W, CAB DLX		-
28	A413347	1	GRATING		-
29	A413147	1	RUBBER PLATE, CAB DLX		-
30	64994	5	NOZZLE, AIR FLOW, CAB		-
31	65037	1	WARNING TRIANGLE SLOW MOVING VEHICLE		-
32	64996	2	LOUDSPEAKER 2 WAY 80W		-
33	64995	1	RADIO RDS 12V/4*35W VDO TR114		-
34	A412208	1	SIDE PLATE		-
35	A431729	2	PAN HEAD MACHINE SCREW M3,9*19		-
36*	A423600	1	DASHBOARD CAB DLX ASSEMBLY	From XXXXX1927	146
36**	A412046	1	DASHBOARD, CAB DLX	Before XXXXX1927	-

11.8.2023

From XXXXX1927

A423600 DASHBOARD CAB DLX ASSEMBLY



11.8.2023

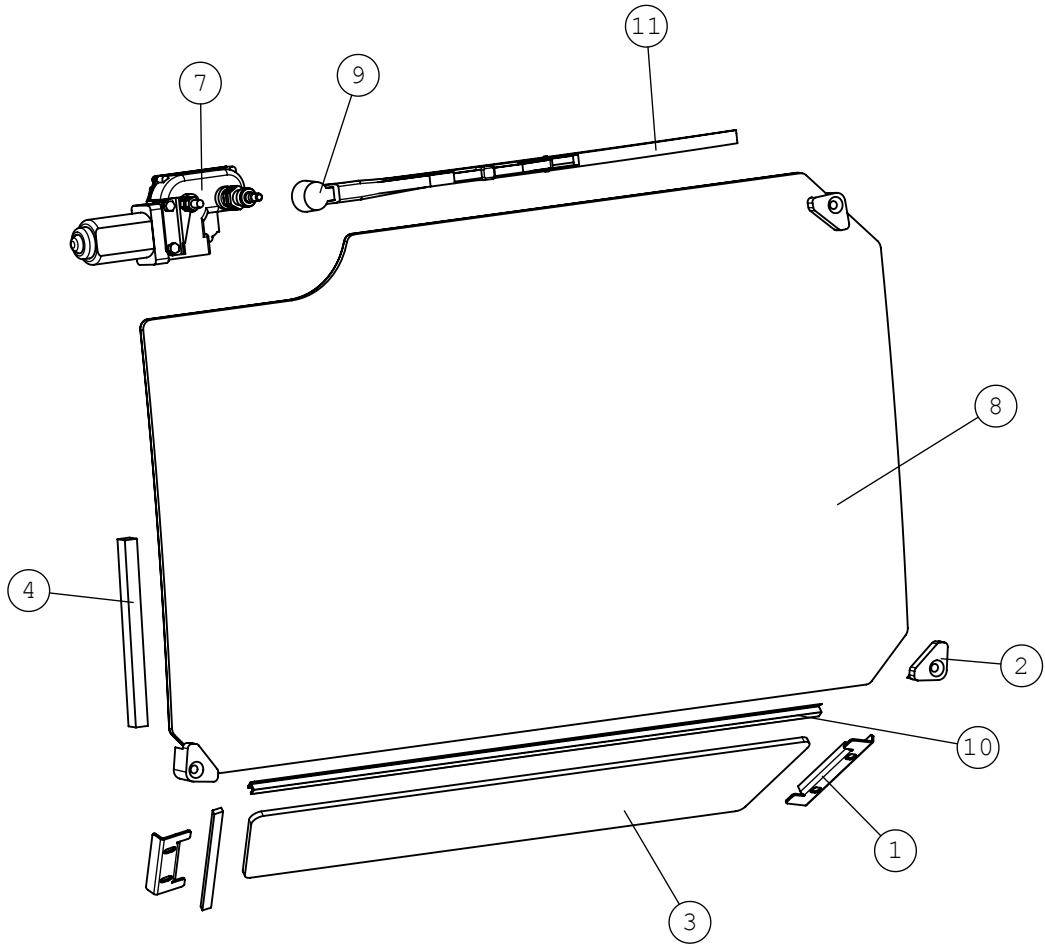
From XXXXX1927

A423600 DASHBOARD CAB DLX ASSEMBLY

REF	PART NO	QTY	DESCRIPTION	NOTES	PAGE
1	A425330	1	PANEL WITH DECAL INDICATORS CAB DLX		-
2	65123	1	HOUR METER/TACHOMETER 500/600 SERIES		-
3	65122	1	FUEL GAUGE		-
4	A440326	1	ALARM BEEPER D28,5/D45 -H47		-
5	64074	1	PUSH BUTTON F22,5 SIGNAL HORN		-
6	64602	4	ROCKER SWITCH ON-OFF 2-POLE 250VAC/10A		-
7	A423598	1	MOUNTING PLATE INDICATORS&GAUGES WITH OI		-
8	A423601	1	COVER PLATE INSTRUMENT PANEL, CAB DLX		-
9	A436424	1	OUTLET 12V/20A WITH COVER		-
10	A430775	1	THERMOMETER WATER/HYDRAULIC OIL		-
11	66156	1	IGNITION SWITCH 12V/30A/60A IP65 COBO		-
11.1	64214	1	IGNITION KEY		-
12	A425304	1	INDICATOR LIGHTS DIESEL ENGINE KOHLER		-
13	A425315	1	INDICATOR LIGHTS E SERIES		-

11.8.2023

A21707 WINDSCREEN ASSEMBLY, CAB DLX



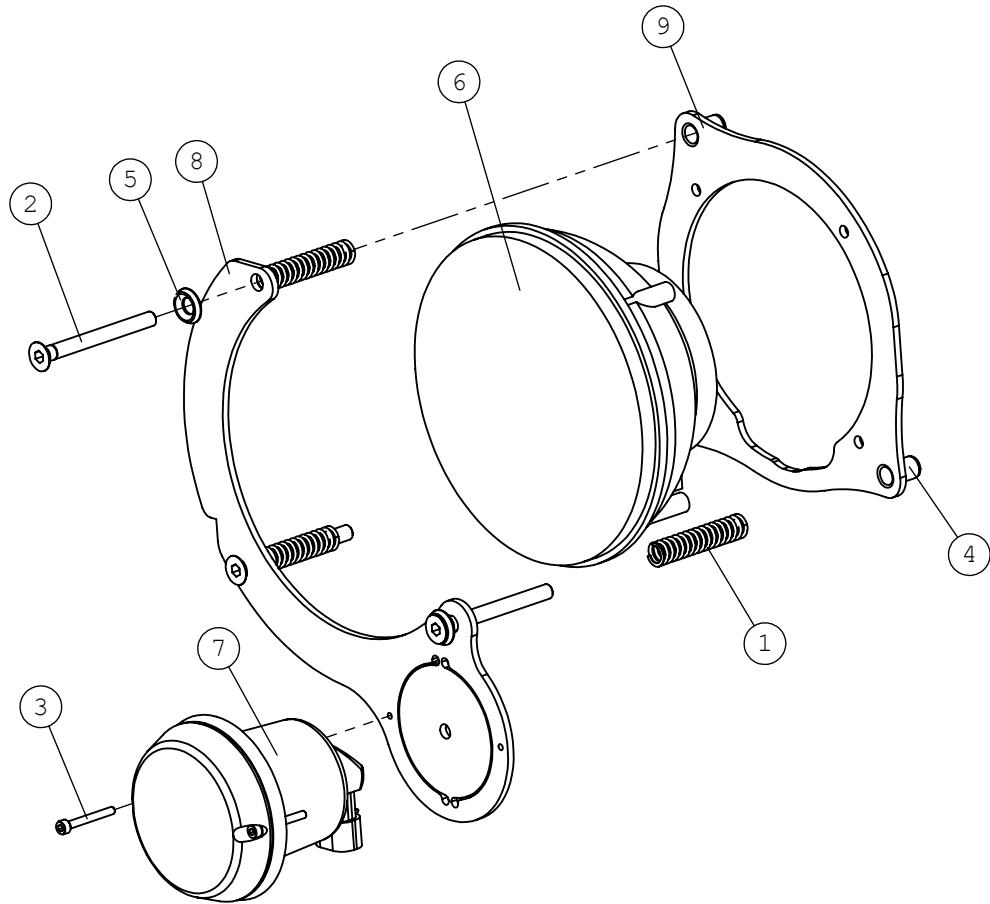
11.8.2023

A21707 WINDSCREEN ASSEMBLY, CAB DLX

REF	PART NO	QTY	DESCRIPTION	NOTES	PAGE
1	A412150	2	MOUNTING STRIP		-
2	A412362	3	BRACKET, WINDSCREEN		-
3	A411664	1	WINDOW, FRONT, SMALL, CAB DLX		-
4	A413839	1	WEATHER STRIP, WINDSCREEN, CAB DLX		-
5	A413848	1	WEATHER STRIP, WINDSCREEN SMALL, CAB DLX		-
6	74525	1	WASHER M8 8,4*20*1,25 ZN		-
7	65656	1	ELECTRIC MOTOR, WINDSCREEN WIPER		-
8	A414401	1	WINDSCREEN, CAB		-
9	65657	1	ARM, WINDSCREEN WIPER		-
10	A415503	1	WEATHER STRIP, WINDSCREENS, CAB LX/DLX		-
11	64573	1	WIPER BLADE		-

11.8.2023

A421890 HEADLIGHTS, ROAD TRAFFIC KIT CAB DLX



11.8.2023

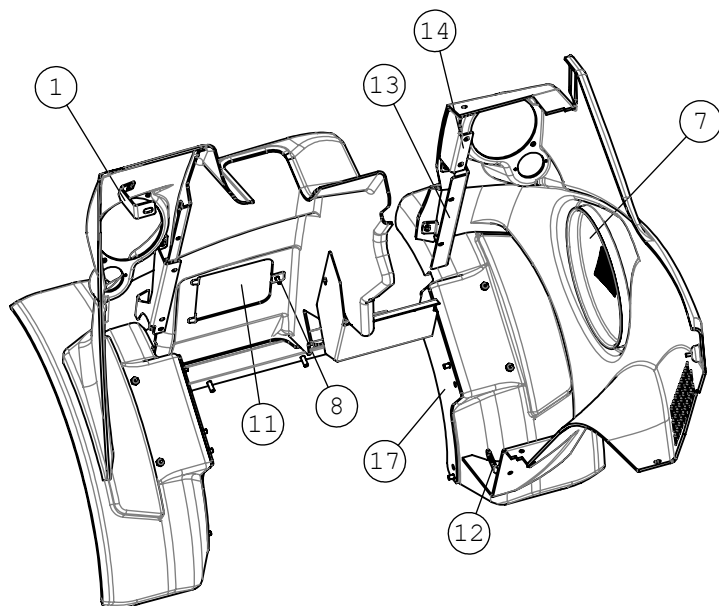
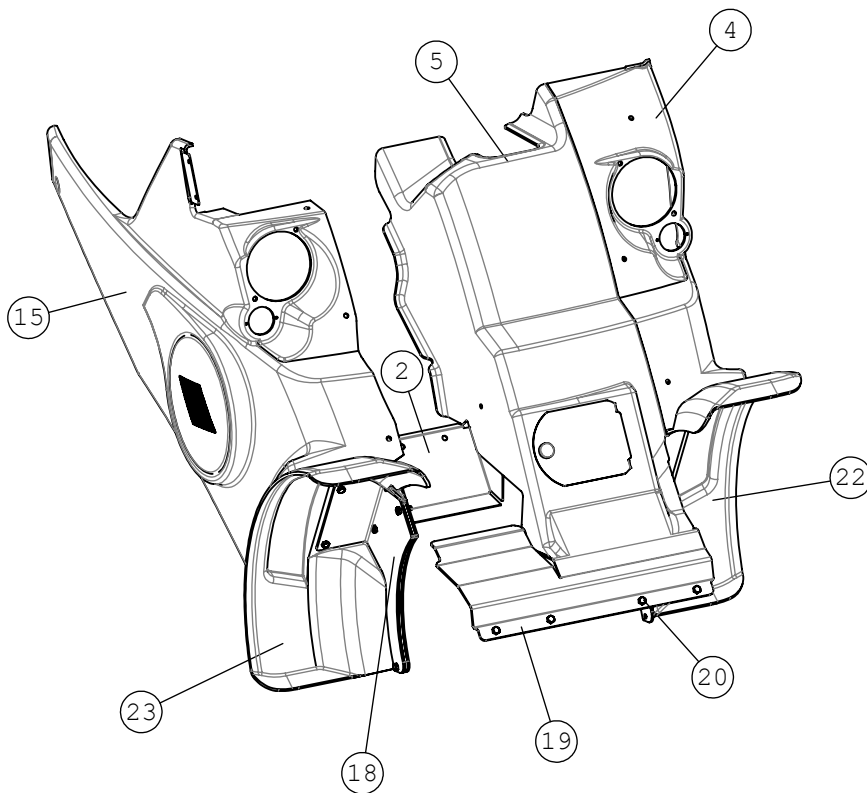
A421890 HEADLIGHTS, ROAD TRAFFIC KIT CAB DLX

REF	PART NO	QTY	DESCRIPTION	NOTES	PAGE
1	66464	6	COMPRESSION SPRING 1,5*7*45 N=16,9		-
2	75139	6	COUNTERSUNK HEAD SCREW M6*60 DIN 7991		-
3	75138	4	HEXAGONAL HEAD SCREW M3*25 DIN912 2		-
4	74703	6	RIVET NUT M6 SUNK HEAD		-
5	74768	4	WASHER CONICAL M6		-
6	65484	2	HEADLIGHT/POSITION LIGHT		-
7	64849	2	BLINKER		-
8	A421888	2	MOUNTING BRACKET, HEADLIGHT		-
9	A421895	2	ADJUSTMENT PLATE		-
10	A418904	1	ELECTRIC HARNESS ADAPTOR CAB DLX		-

11.8.2023

ABS, cabin

A35608 COVER PLATES, KIT, 500 SERIES



11.8.2023

ABS, cabin

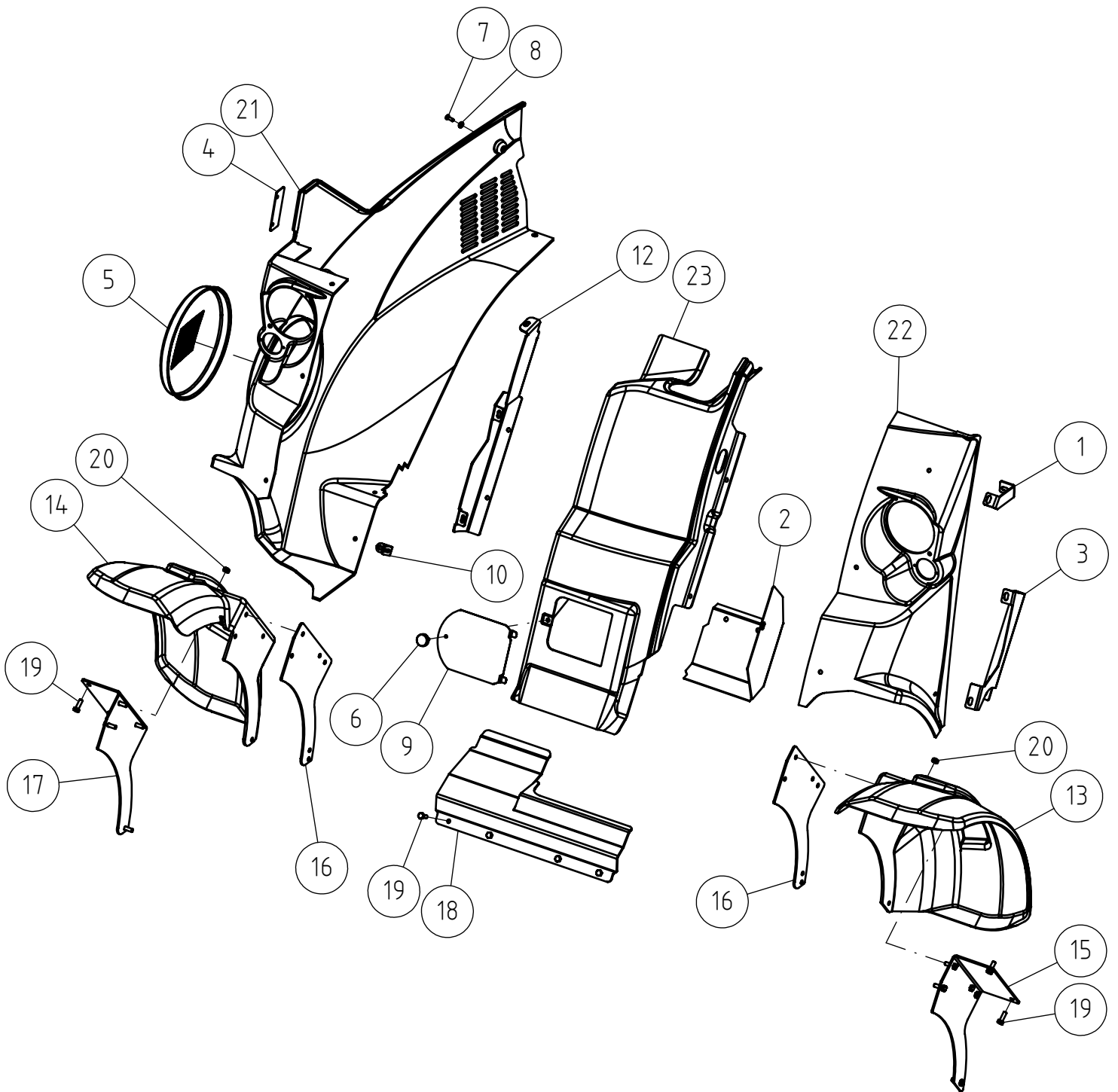
A35608 COVER PLATES, KIT, 500 SERIES

REF	PART NO	QTY	DESCRIPTION	NOTES	PAGE
1	A412713	1	BRACKET		-
2	A47656	1	COVER		-
3	A412755	1	BRACKET, LEFT		-
4	A412775	1	COVER PLATE, LEFT SIDE		-
5	A412817	1	COVER PLATE, CENTER		-
6	A412735	1	PLATE		-
7	A412791	1	NET		-
8	64941	1	FINGER SCREW M6*20 R3015RM620S		-
9	74767	1	RAISED COUNTERSUNK HEAD SCREW M6*20		-
10	74768	1	WASHER CONICAL M6		-
11	A48000	1	LID		-
12	A47756	1	ANGLE BRACKET 90°		-
13	A414798	1	BRACKET, COVER PLATE		-
14	A414801	1	EDGE PLATE		-
15	A414361	1	COVER PLATE, RIGHT SIDE FRONT , 500-700		-
16	A414900	1	BRACKET LEFT, MUDGUARD		-
17	A414901	2	BRACKET, COVER PLATE		-
18	A414905	1	BRACKET RIGHT, MUDGUARD		-
19	A435254	1	COVER DRIVE MOTORS FRONT		-
20	72132	17	HEXAGONAL SCREW M 8*25 DIN 933 ZN		-
21	72320	4	HEXAGONAL NUT M8 NYLOC DIN 985		-
22	A415377	1	MUDGUARD, FRONT LEFT		-
23	A415378	1	MUDGUARD, FRONT RIGHT		-

11.8.2023

PC/HD, cabin

A35668 COVER PLATES HD, KIT, FRONT FRAME 600DLX



11.8.2023

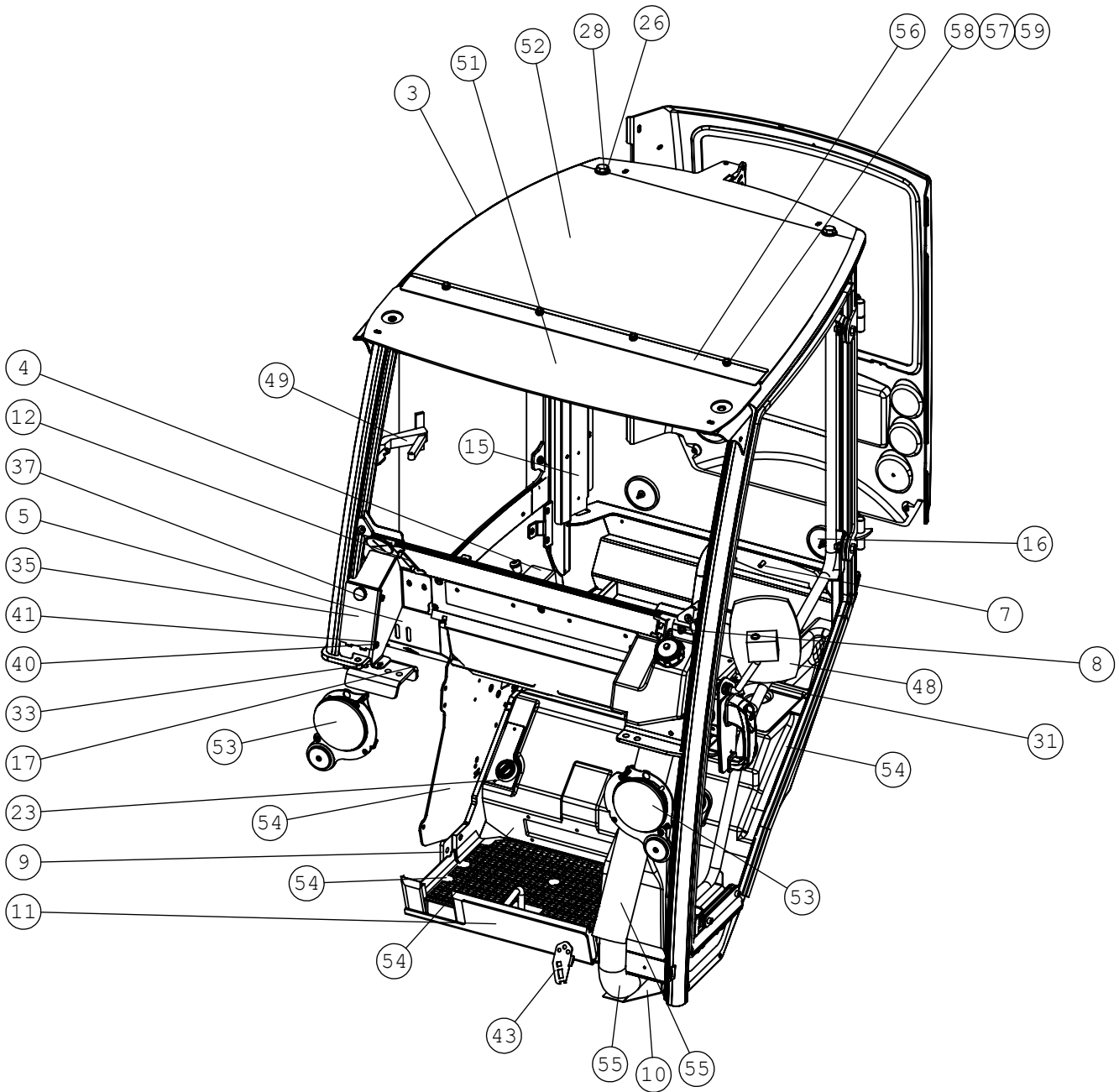
PC/HD, cabin

A35668 COVER PLATES HD, KIT, FRONT FRAME 600DLX

REF	PART NO	QTY	DESCRIPTION	NOTES	PAGE
1	A412713	1	BRACKET		-
2	A47656	1	COVER		-
3	A412755	1	BRACKET, LEFT		-
4	A412735	1	PLATE		-
5	A412791	1	NET		-
6	64941	1	FINGER SCREW M6*20 R3015RM620S		-
7	74767	1	RAISED COUNTERSUNK HEAD SCREW M6*20		-
8	74768	1	WASHER CONICAL M6		-
9	A48000	1	LID		-
10	A47756	1	ANGLE BRACKET 90°		-
11	A414798	1	BRACKET, COVER PLATE		-
12	A414801	1	EDGE PLATE		-
13	A414882	1	MUDGUARD FRONT LEFT 600		-
14	A414883	1	MUDGUARD FRONT RIGHT 600		-
15	A414900	1	BRACKET LEFT, MUDGUARD		-
16	A414901	2	BRACKET, COVER PLATE		-
17	A414905	1	BRACKET RIGHT, MUDGUARD		-
18	A435254	1	COVER DRIVE MOTORS FRONT		-
19	72132	17	HEXAGONAL SCREW M 8*25 DIN 933 ZN		-
20	72320	4	HEXAGONAL NUT M8 NYLOC DIN 985		-
21	A415529	1	COVER PLATE, HD, FRONT RIGHT, CAB LX/DLX		-
22	A415520	1	COVER PLATE, HD, FRONT LEFT, CAB LX/DLX		-
23	A415532	1	COVER PLATE HD POLYCARB FRONT CENTER		-

11.8.2023

A21517 CAB LX



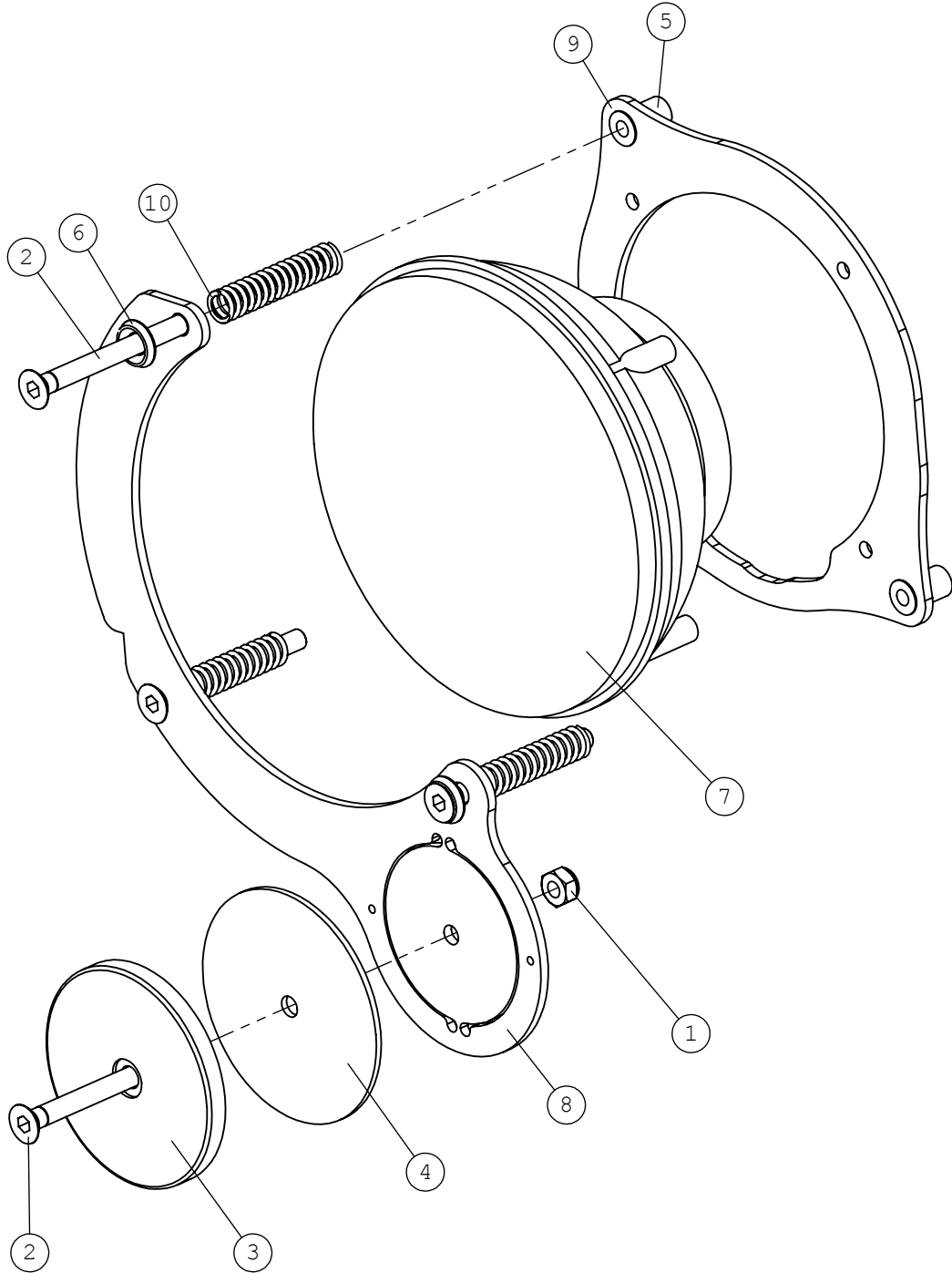
11.8.2023

A21517 CAB LX

REF	PART NO	QTY	DESCRIPTION	NOTES	PAGE
1	A21513	1	FRAME, CAB LX		-
2	A414271	1	BOX, AIR INTAKE		-
3	A414278	1	WINDSCREEN, COMPLETE, CAB		-
4	A412208	1	SIDE PLATE		-
5	A412247	1	COVER PLATE		-
6	A411777	1	SEAT BASE		-
7	A47248	1	FRAME LOCK		-
8	A412488	1	TANK, COMPLETE, WINDSCREEN WASHER		136
9	A412322	1	PLATE		-
10	A411862	1	COVER PLATE		-
11	A412482	1	FLOOR PLATE, CAB DLX		-
12	A414284	1	WINDSCREEN, LOWER, COMPL., CAB LX		-
13	64979	1	PIN, DOOR LOCK		-
14	64980	1	GUIDE PLATE, LOCK		-
15	A414285	1	EDGE STRIP, CAB LX		-
16	A414287	1	REAR WINDOW, COMPLETE, CAB LX A21517		-
17	A411645	1	BRACKET		-
18	64853	1	SEAT, WITH SUSPENSION & HEATER SEAT FSP9		-
18.1	64816	1	ARMRESTS, PAIR, SUSPENSION SEAT ACC980		-
19	65578	1	HEATER KALORI		-
20	65530	4	PIPE CLAMP KALORI		-
21	A413221	2	HOSE, HEATER, CAB		-
22	65558	2	PIPE CONNECTOR		-
23	65513	1	ROTARY SWITCH, FAN, CAB		-
24	64994	5	NOZZLE, AIR FLOW, CAB		-
25	A410681	1	GROMMET		-
26	72232	2	HEXAGONAL SCREW M16*30 DIN 933		-
27	72329	2	HEXAGONAL NUT M 16 DIN 934		-
28	A414522	2	WASHER, RUBBER, CAB LX		-
29	A414813	1	STRIP, CAB LX		-
30	A47756	1	ANGLE BRACKET 90°		-
31	A414866	1	SUPPORT PLATE, HEATER, CAB LX		-
32	A35404	1	WIRE HARNESS, CAB L/LX		-
33	A414827	1	BOX, FUSE BOX, CAB LX		-
34	A414828	1	MOUNTING PLATE, FUSE BOX, CAB LX		-
35	A414830	1	LID, FUSE COMPARTMENT, CAB LX/DLX		-
36	74807	1	SPEED NUT M6, FOR 0.5-4.0 MM PLATE		-
37	64941	1	FINGER SCREW M6*20 R3015RM620S		-
38	A35546	1	DECALS, FUSE BOX CAB LX/DLX		-
39	72318	2	HEXAGONAL NUT M 6 DIN 985 NYLOC		-
40	74767	2	RAISED COUNTERSUNK HEAD SCREW M6*20		-
41	74768	2	WASHER CONICAL M6		-
42	A413846	1	WEATHER STRIP, AIR HOSE, CAB DLX		-
43	A415022	1	BRACKET, SPRING, CAB		-
44	A414875	1	SUPPORT PLATE, AIR INTAKE, CAB LX/DLX		-
45	A414897	1	COVER, ELECTRIC MOTOR WINDSCREEN WIPER		-
46	A415648	1	WEATHER STRIP, REAR WINDOW, CAB LX		-
47	64865	1	GROMMET F18/12/9,51-3		-
48	A35735	1	DOOR, COMPLETE, CAB LX A21517		138
49	A415801	1	WINDOW COMPL. RIGHT SIDE, CAB LX A21517		-
50	A416357	1	IDENTIFICATION PLATE ROPS A21513 39*90		-
51	A414297	1	CLEAR VISOR-LX CAB ROOF		-
52	A414291	1	FOPS CANOPY, CAB LX		-
53	A423029	1	FRONT LIGHTS ASSEMBLY CAB LX		158
54	A21738	1	UPHOLSTERY, COMPLETE, CAB LX		160
55	A21706	1	HEATER UNIT, COMPLETE, CAB DLX		142
56	A414298	1	STRIP L=950		-
57	A416945	4	WASHER RUBBER M8		-
58	A429202	4	HEXAGONAL SERRATED SCREW M8*25 WITH FLAN		-
59	A450046	4	HEXAGONAL NUT M8 WITH FLANGE		-

11.8.2023

A423029 FRONT LIGHTS ASSEMBLY CAB LX



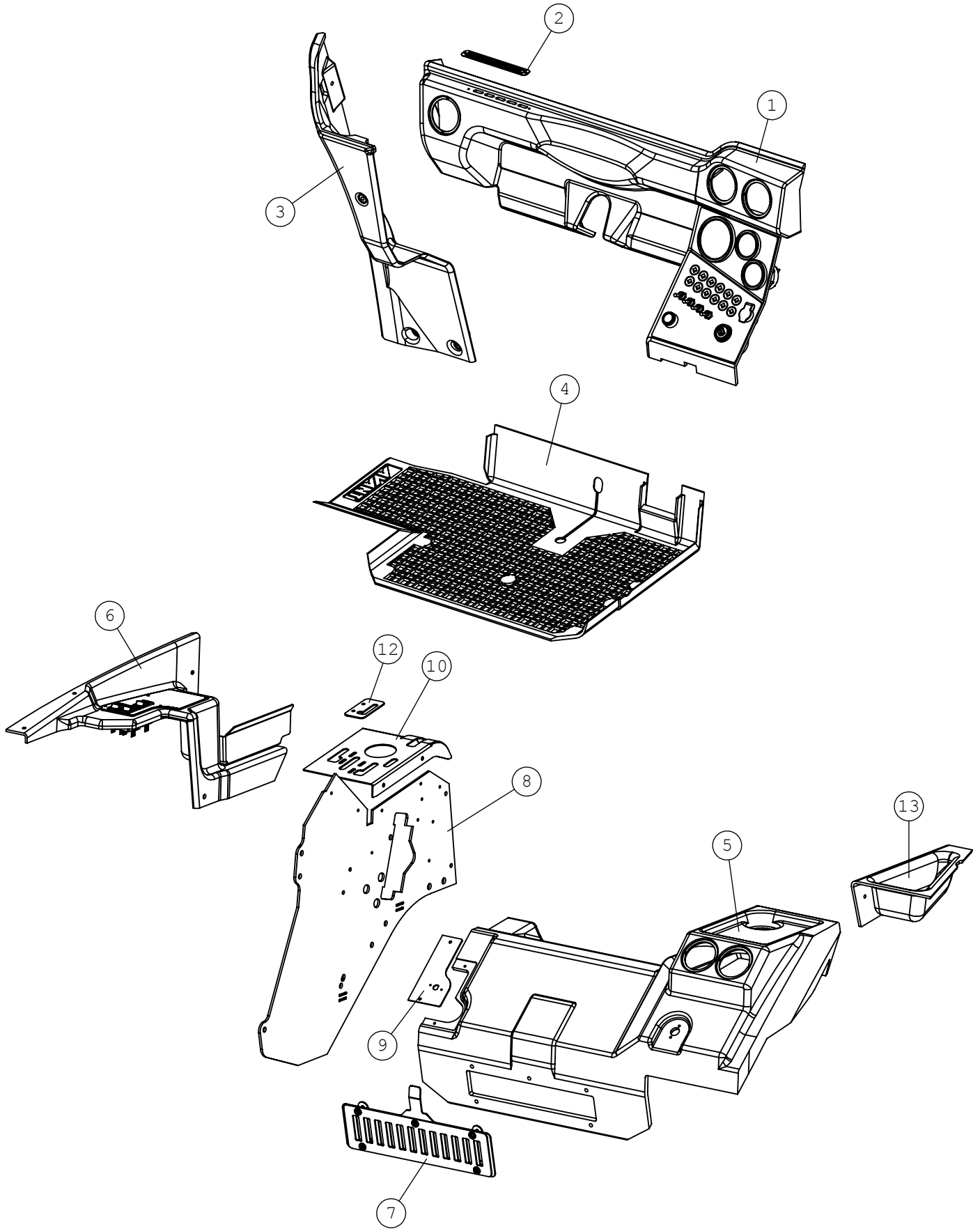
11.8.2023

A423029 FRONT LIGHTS ASSEMBLY CAB LX

REF	PART NO	QTY	DESCRIPTION	NOTES	PAGE
1	72318	2	HEXAGONAL NUT M 6 DIN 985 NYLOC		-
2	75139	8	COUNTERSUNK HEAD SCREW M6*60 DIN 7991		-
3	65660	2	REFLECTOR WHITE ROUND		-
4	A423033	2	MOUNTING PLATE REFLECTOR		-
5	74703	6	RIVET NUT M6 SUNK HEAD		-
6	74768	4	WASHER CONICAL M6		-
7	65484	2	HEADLIGHT/POSITION LIGHT		-
8	A421888	2	MOUNTING BRACKET, HEADLIGHT		-
9	A421895	2	ADJUSTMENT PLATE		-
10	66464	6	COMPRESSION SPRING 1,5*7*45 N=16,9		-

11.8.2023

A21738 UPHOLSTERY, COMPLETE, CAB LX



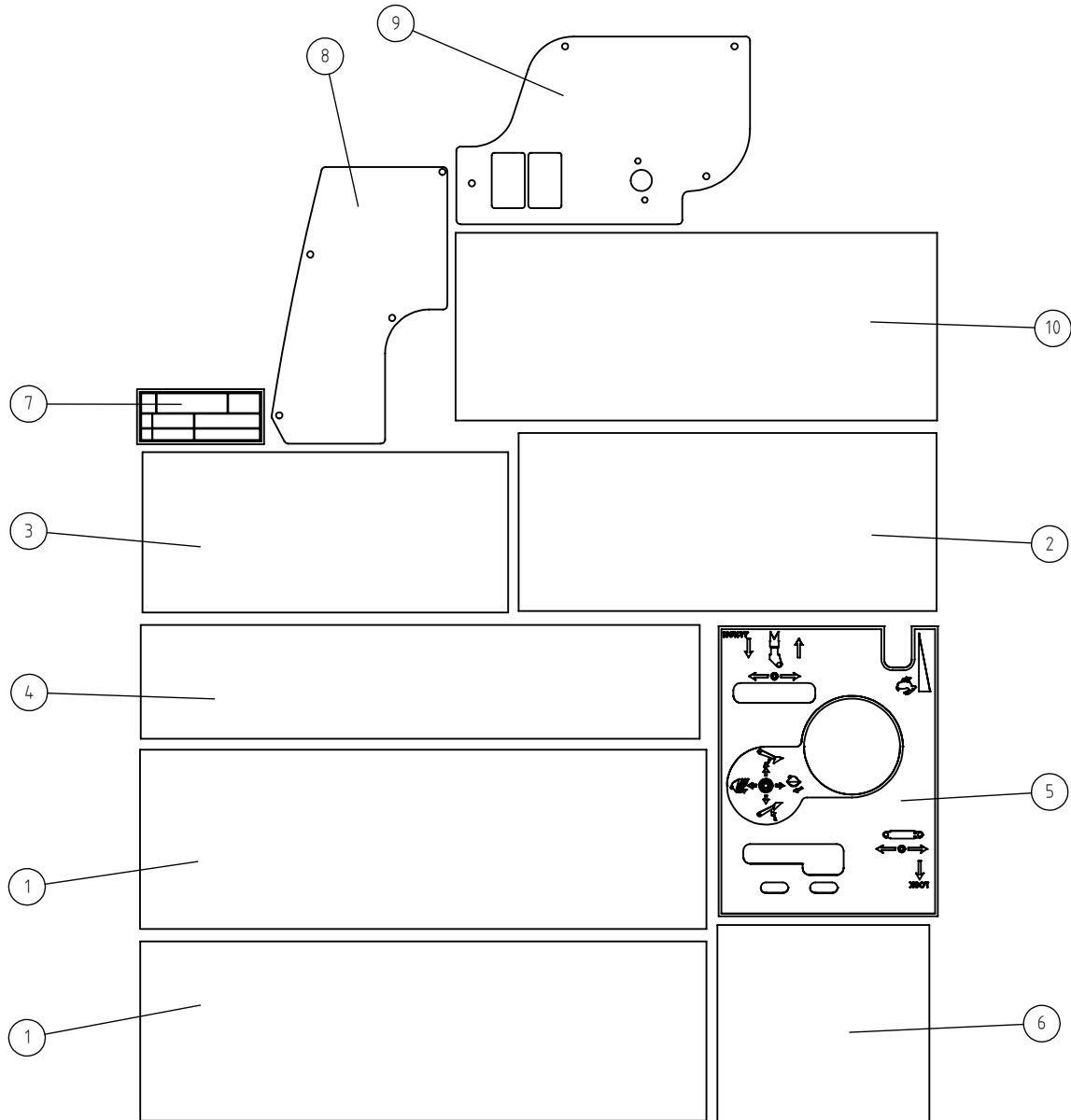
11.8.2023

A21738 UPHOLSTERY, COMPLETE, CAB LX

REF	PART NO	QTY	DESCRIPTION	NOTES	PAGE
1	A412035	1	UPHOLSTERY PLATE, INSTRUMENT PANEL, CAB		-
2	A413347	1	GRATING		-
3	A411687	1	UPHOLSTERY PLATE, LEFT SIDE, CAB DLX		-
4	A413222	1	FLOOR MAT		-
5	A411726	1	UPHOLSTERY PANEL, HEATER, CAB DLX		-
6	A414279	1	DASHBOARD, COMPLETE, CAB LX A21517		-
7	A413430	1	GRILL, AIR CIRCULATION, CAB DLX		-
8	A412181	1	SIDE PLATE, CAB LX/DLX		-
9	A412178	1	PANEL		-
10	A412471	1	COVER PLATE, CONTROL LEVERS, CAB DLX		-
11	A412046	1	DASHBOARD, CAB DLX	Before XXXXX1927	-
12	A413249	1	LOCKING PLATE, CONTROL LEVER		-
13	A416782	1	GLOVE BOX, CAB LX		-

11.8.2023

A434212 DECAL KIT, AVANT 528 LX/DLX OPTIDRIVE



11.8.2023

A434212 DECAL KIT, AVANT 528 LX/DLX OPTIDRIVE

REF	PART NO	QTY	DESCRIPTION	NOTES	PAGE
1	A424083	2	DECAL "AVANT 528" REAR FRAME		-
2	A425019	1	DECAL "528 OPTIDRIVE" LX/DLX		-
3	A422763	1	DECAL "OPTIDRIVE" LEFT SIDE		-
4	A422765	1	DECAL FRONT FRAME RIGHT SIDE BLACK/WHITE		-
5	A414961	1	DECAL CONTROL LEVERS 500 SERIES DLX		-
6	A419546	1	DECAL, TIPPING LOAD 528 (KG)		-
7	A415408	1	DECAL ROPS/FOPS		-
8	A413436	1	DECAL, DASHBOARD, CAB DLX		-
9	A414707	1	DECAL, PANEL UP CAB DLX		-
10	A424081	1	DECAL "528" FRONT FRAME		-
11	A413760	1	DECAL FOPS/ROPS		-

AVANT®

Varaosat Spare parts

Manufacturer:

AVANT®

AVANT TECNO OY

e-mail: sales@avanttecho.com

Ylötie 1

33470 Ylöjärvi

FINLAND

Tel. +358 3 347 8800

Fax +358 3 348 5511